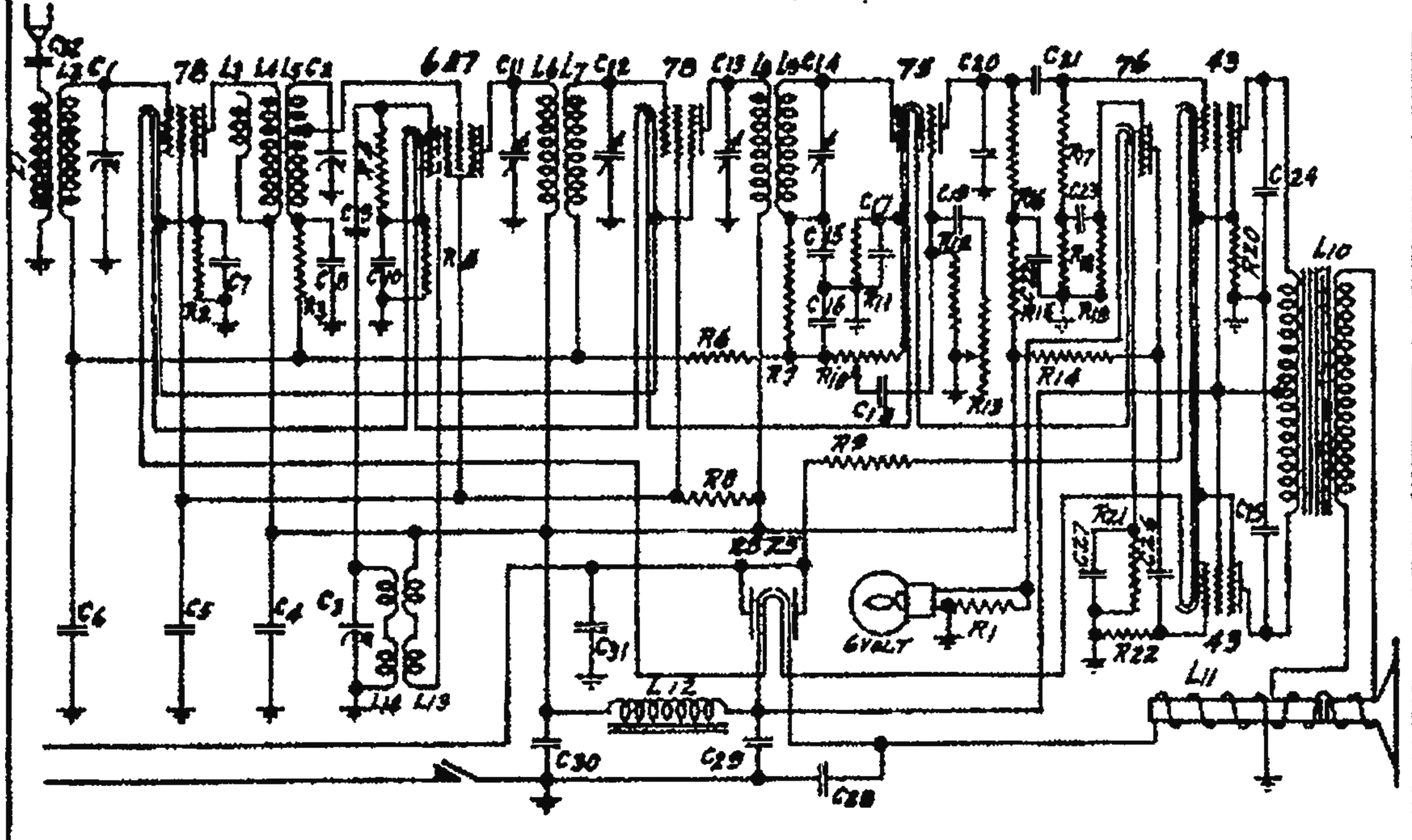


IF PEAK 175 KC.



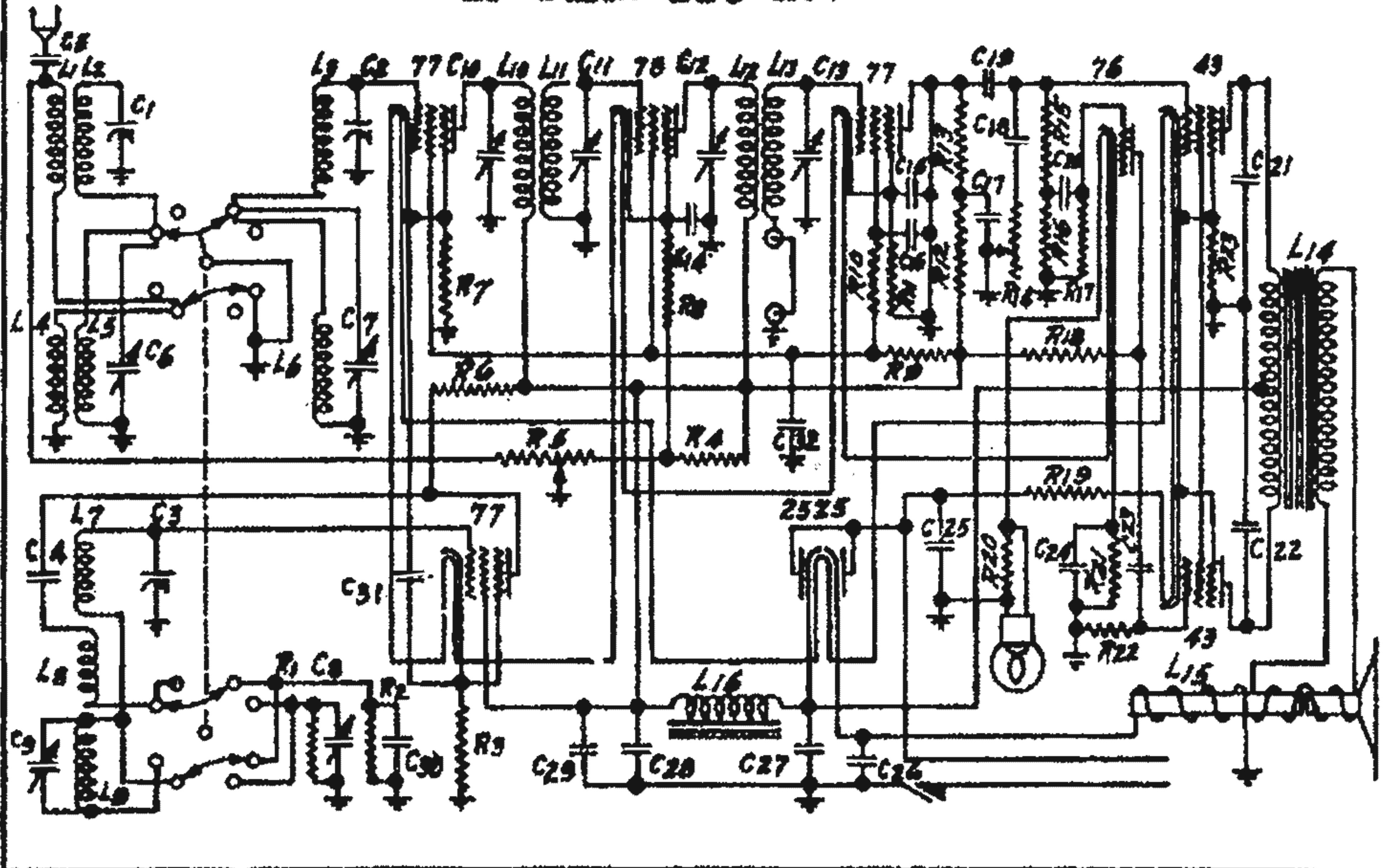
MODEL AM-8

PART NO.		RESISTORS	
R1	1309	13 Ohm	Pilot Light Shunt Resistor
R2	1062	250 Ohm	R.F. and I.F. Cathode Resistor
R3	923	100,000 Ohm	A.V.C. Network Resistor
R4	921	40,000 Ohm	Oscillator Grid Leak Resistor
R5	1062	250 Ohm	6A7 Cathode Resistor
R6	926	1 Megohm	A.V.C. Network Resistor
R7	898	50,000 Ohm	A.V.C. Network Filter Resistor
R8	941	20,000 Ohm	78 & 6A7 Screen Feed Resistor
R9	1119	38 Ohm	Filament Series Resistor
R10	1315	500,000 Ohm	Volume Control
R11	919	5,000 Ohm	75 Cathode Resistor
R12	925	500,000 Ohm	75 Grid Load Resistor
R13	1317	250,000 Ohm	Tone Control
R14	924	250,000 Ohm	76 Plate Resistor
R15	923	100,000 Ohm	75 Plate Filter Resistor
R16	924	250,000 Ohm	75 Plate Resistor
R17	925	500,000 Ohm	43 Grid Leak Resistor
R18	922	75,000 Ohm	Push-pull Network Resistor
R19	925	500,000 Ohm	76 Grid Leak Resistor
R20	1062	250 Ohm	43 Cathode & Screen Resistor
R21	920	10,000 Ohm	76 Cathode Resistor
R22	925	500,000 Ohm	43 Grid Leak Resistor

PART NO.		CONDENSERS	
C1	833	371 MMFD.	Preselector Section of 3 Gang Condenser
C2	833	371 MMFD.	Preselector Section of 3 Gang Condenser
C3	833	336 MMFD.	Oscillator Section of 3 Gang Condenser
C4	266	1. MFD.	B Supply By-pass Condenser
C5	272	.1 MFD.	Screen By-pass Condenser
C6	272	.1 MFD.	A.V.C. By-pass Condenser
C7	272	.1 MFD.	R.F. & I.F. Cathode By-pass Condenser
C8	272	.1 MFD.	First Detector By-pass Condenser
C9	268	.00025 MFD.	Oscillator Coupling Condenser
C10	272	.1 MFD.	6A7 Cathode By-pass Condenser
C11	1104	70-200 MMFD.	First I.F. Primary Trimmer Condenser
C12	1105	70-200 MMFD.	First I.F. Secondary Trimmer Condenser
C13	1106	70-200 MMFD.	Second I.F. Primary Trimmer Condenser
C14	1107	70-200 MMFD.	Second I.F. Secondary Trimmer Condenser
C15	339	.0001 MFD.	Diode Filter Condenser
C16	339	.0001 MFD.	Diode Filter Condenser
C17	272	.1 MFD.	75 Cathode By-pass Condenser
C18	269	.01 MFD.	Volume Control Condenser
C19	269	.01 MFD.	Tone Control Condenser
C20	265	.001 MFD.	75 Plate Filter Condenser
C21	269	.01 MFD.	Audio Feed Condenser
C22	272	.1 MFD.	75 Hum Filter Condenser
C23	269	.01 MFD.	Inverter Feed Condenser
C24	343	.004 MFD.	Output Plate Filter Condenser
C25	343	.004 MFD.	Output Plate Filter Condenser
C26	269	.01 MFD.	Push-pull Coupling Condenser
C27	272	.1 MFD.	76 Cathode By-pass Condenser
C28	1295	4 MFD.	Field Supply Filter Condenser
C29	1295	10 MFD.	Push-pull Plate Supply Filter Condenser
C29	1085	19 MFD.	Push-pull Plate Supply Filter Condenser
C30	1295	4 MFD.	B Supply Filter Condenser
C31	272	.1 MFD.	Power Line By-pass Condenser

PART NO.		INDUCTANCES	
L1	1138	Preselector Primary	450 Turns #36 S.S.E.
L2	1138	Preselector Secondary	144 Turns #36 D.C.C.
L3	1213	Detector Primary	Condenser Winding 32 Turns #36 S.S.E.
L4	1213	Detector Primary	450 Turns #36 S.S.R.
L5	1213	Detector Secondary	91 and 108 Turns #36 D.C.C.
L6	1101	8,000 Microhenry	First I.F. Primary 175 K.C.
L7	1101	8,000 Microhenry	First I.F. Secondary
L8	1101	8,000 Microhenry	Second I.F. Primary 175 K.C.
L9	1101	8,000 Microhenry	Second I.F. Secondary
L10		43 Push-pull	Output Transformer
L11		2,500 Ohm	Speaker Field
L12	940	20 Henry	Filter Choke
L13	1111	Oscillator Primary	35 Turns & 15 Turns #36 S. S.E.
L14	1111	Oscillator Secondary	72 Turns & 50 Turns #36 D.C.C.

IF PEAK 115 KC.



MODEL AM-10

CODE	PART NO.	RESISTORS	RESISTORS	CONDENSERS	CONDENSERS	INDUCTANCES	INDUCTANCES	
R1	1042	25,000 Ohm Long Wave Oscillator Grid	C15	92C	25 MFD. Second Detector Cathode Filter Condenser	L1	976	Broadcast Presetor Primary 178 Turns #36 S. S. E.
R2	1042	25,000 Ohm Broadcast Oscillator Grid	C16	269	.01 MFD. Second Detector Screen By-pass Condenser	L2	976	Broadcast First Presetor Secondary 159 Turns #36 S. S. E.
R3	1088	500 Ohm Oscillator Cathode	C17	272	.1 MFD. Second Detector Plate Hum Filter	L3	976	Broadcast Second Presetor Secondary 152 Turns #36 S. S. E.
R4	922	75,000 Ohm I.F. Cathode Feed	C18	269	.01 MFD. Tone Control Condenser	L4	781	Long Wave Presetor Primary
R5	1296	10,000 Ohm Volume Control & Switch	C19	269	.01 MFD. Audio Feed Condenser	L5	781	Long Wave First Presetor Secondary
R6	941	20,000 Ohm Oscillator Plate Feed	C20	269	.01 MFD. Inverter Feed Condenser	L6	781	Long Wave Second Presetor Secondary
R7	919	5,000 Ohm First Detector Cathode	C21	343	.004 MFD. 43 Plate Filter Condenser	L7	782	Long Wave Oscillator Secondary
R8	1062	250 Ohm I.F. Cathode	C22	343	.004 MFD. 43 Plate Filter Condenser	L8	782	Long Wave & Broadcast Oscillator Primary
R9	921	40,000 Ohm Screen Feed	C23	269	.01 MFD. Push-pull Feed Condenser	L9	782	Broadcast Oscillator Secondary
R10	924	250,000 Ohm Second Detector Screen	C24	272	.1 MFD. 75 Cathode By-pass Condenser	L10	999	25,000 Microhenry First I.F. Primary
R11	1003	15,000 Ohm Second Detector Cathode	C25	272	.1 MFD. Lone By-pass Condenser	L11	999	25,000 Microhenry First I.F. Secondary
R12	923	100,000 Ohm Second Detector Plate Hum Resistor	C26	1295	4 MFD. Field Supply Filter Condenser	L12	1156	14,000 Microhenry Second I.F. Primary
R13	924	250,000 Ohm Second Detector Plate	C27	1295	10 MFD. Push-pull Plate Supply Filter Condenser	L13	1156	14,000 Microhenry Second I.F. Secondary
R14	1517	250,000 Ohm Tone Control	C27	1085	10 MFD. Push-pull Plate Supply Filter Condenser	L14		43 Push-pull Output Transformer
R15	925	500,000 Ohm 43 Grid Leak Resistor	C28	1295	4 MFD. B Supply Filter Condenser	L15		2500 Ohm Speaker Field
R16	922	75,000 Ohm Push-pull Network Resistor	C29	266	1 MFD. B Supply By-pass Condenser	L16	940	20 Henry Filter Choke
R17	925	500,000 Ohm 76 Grid Leak Resistor	C30	343	.004 MFD. Broadcast Oscillator Condenser			
R18	924	250,000 Ohm 78 Plate Feed Resistor	C31	269	.01 MFD. Oscillator Coupling Condenser			
R19	1119	36 Ohm Filament Series Resistor	C32	272	.1 MFD. Screen By-pass Condenser			
R20	1309	13 Ohm Pilot Light Shunt Resistor						
R21	920	10,000 Ohm 76 Cathode						
R22	925	500,000 Ohm 43 Grid Leak Resistor						
R23	1082	250 Ohm 43's Cathode & Grid						

LA FAYETTE RADIO & TELEVISION CORP. MODEL AM-10 Schematic, Parts List

MODEL AM-8