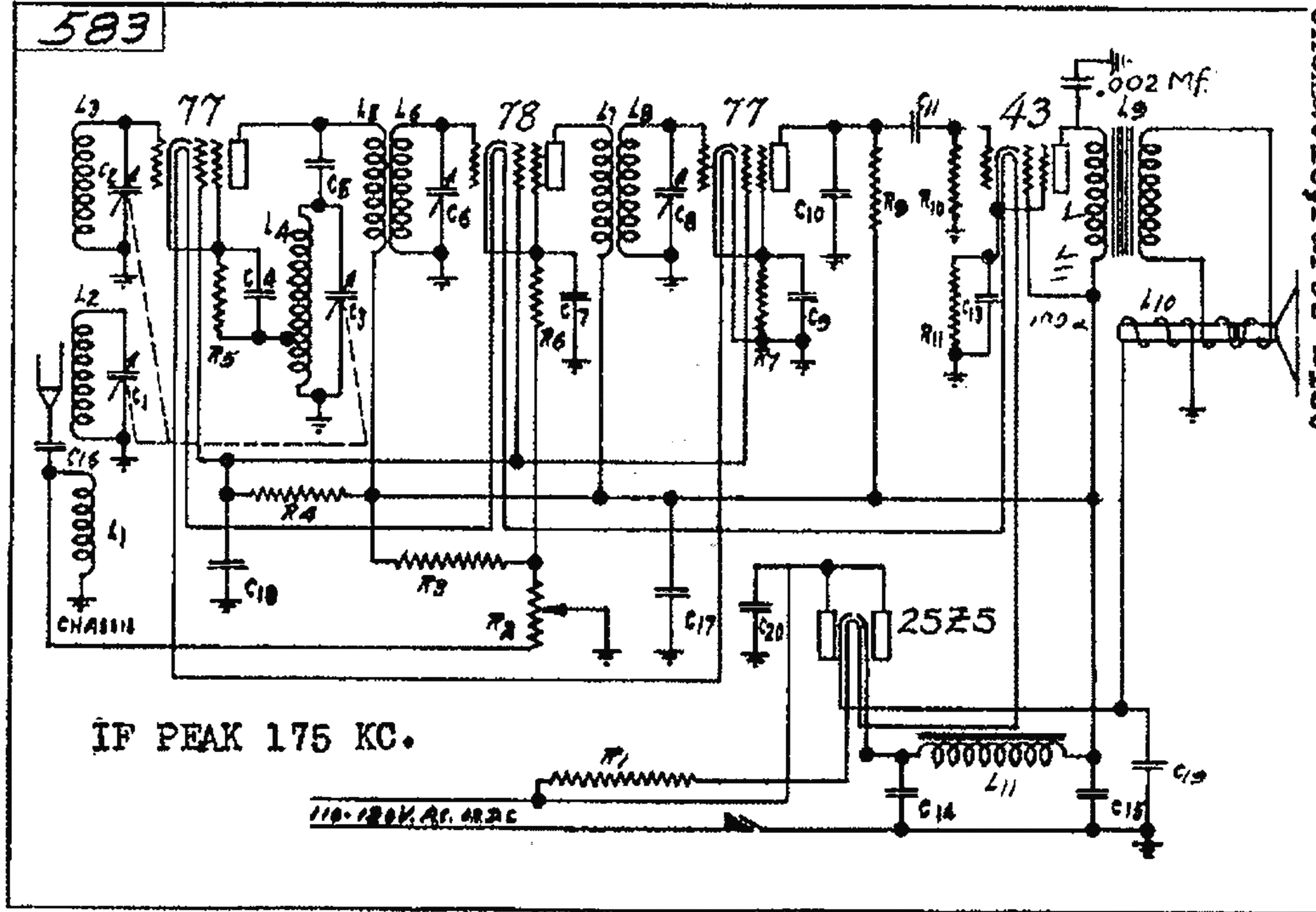


## MODEL M-69, 70. Also A-7

CODE	PART NO.	RESISTORS			
R1	94	25,000 Ohm Type J Resistor Long Wave Oscillator Grid		C13	872 .1 MFD I.F. Cathode By-pass Condenser
R2	94	25,000 Ohm Type J Resistor Broadcast		C14	.0001 MFD Second Detector Grid By-pass
R3	279	500 Ohm Type J Resistor Oscillator Cathode		C15	.1 MFD R.F. and I.F. Screen By-pass Condenser
R4	193	1,000 Ohm Type J Resistor First Detector Cathode		C16	.0005 MFD Second Detector R.F. Filter Condenser
R5	323	250 Ohm Type J Resistor First I.F. Cathode		C17	.01 MFD First Audio Feed Condenser
R6	278	20,000 Ohm Type J Resistor Oscillator Plate Feed		C18	1. MFD C Bias By-pass Condenser
R7	512	10,000 Ohm Potentiometer Volume Control and Switch		C19	1. MFD B. By-pass Condenser
R8	192	40,000 Ohm Type J Resistor Volume Control Voltage Feed		C20	.01 MFD Tone Control Condenser
R9	278	80,000 Ohm Type J Resistor R.F. and I.F. Screen Feed		C21	.002 MFD First Audio Plate Filter Condenser
R10	201	500,000 Ohm Type J Resistor Second Detector Grid		C22	.01 MFD Second Audio Coupling Condenser
R11	200	100,000 Ohm Type J Resistor C Bias Network		C23	8 MFD Electrolytic Filter Condenser
R12	201	500,000 Ohm Type J Resistor First Audio Grid Bias		C24	(4 MFD Electrolytic Filter Condenser
R13	534	250,000 Ohm Variable Resistance, Tone Control		C25	(4 MFD Electrolytic Filter Condenser
R14	200	100,000 Ohm Type J Resistor First Audio Plate Feed		C26	.01 MFD Power Line By-pass Condenser
R15	201	500,000 Ohm Type J Resistor 247 Grid Bias		C27	.1 MFD Grid Bias Hum Filter Condenser
R16	198	1 Megohm Type J Resistor C Bias Network		C28	.004 MFD Output Plate Filter Condenser
R17	201	500,000 Ohm Type J Grid Bias Hum Filter			
		CONDENSERS			
C1)	(365 MFD	Preselector Section of Three Gang Condenser	L1		INDUCTANCES
C2)	547	(365 MFD Preselector Section of Three Gang Condenser	L2		Long Wave Oscillator Secondary 1975 Microhenrys
C3)	(350 MFD	Oscillator Section of Three Gang Condenser	L3		Long Wave and Broadcast Oscillator Primary 10 Turns #36 P.E.
C4		One Plate Long Wave Reciprocal Oscillator Trimmer	L4		Long Wave Oscillator Secondary 95 Turns #32 P.E.
C5		Four Plate Long Wave Grid Oscillator Trimmer	L5		Long Wave First Preselector Primary U.W. 800 Turns #36 S.S.E.
C6	503	.004 Broadcast Oscillator Condenser	L6		Broadcast First Preselector Primary U.W. 110 Turns #36 S.S.E.
C7	503	.004 MFD Oscillator Feed Condenser	L7		Long Wave First Preselector Secondary U.W. 3380 Microhenrys
C8	269	.01 MFD Oscillator Cathode Feed Condenser	L8		Broadcast First Preselector Secondary 126 Turns #32 P.E.
C9	75 - 150	MFD First I.F. Primary Trimmer	L9		Long Wave Second Preselector Secondary 3380 Microhenrys
C10	75 - 150	MFD First I.F. Secondary	L10		Broadcast Second Preselector Secondary 118 Turns #32 P.E.
C11	75 - 150	MFD Second I.F. Primary Trimmer	L11)	A	(25,000 Microhenrys First I.F. Primary U.W. 115 K.C.
C12	75 - 150	MFD Second I.F. Secondary Trimmer	L11)	999	(25,000 Microhenrys First I.F. Secondary U.W. 115 K.C.
			L12)		(25,000 Microhenrys Second I.F. Primary U.W. 115 K.C.
			L13)	999	(25,000 Microhenrys Second I.F. Secondary U.W. 115 K.C.
			L14	100	6.5 Millihenrys R.F. Choke
			L15		Output Transformer
			L16		2,500 Ohm Speaker Field



IF PEAK 175 KC.

110-120V AC 60 Hz

MODEL A-15

Code	Part No.	RESISTORS	Code	Part No.	RESISTORS
R1	<del>100</del> 1125	130 370 Ohm Filament Resistor In Power Cord	C10	265	.001 MFD. Second Detector Plate R.F. Filter
R2	853	10,000 Ohm Volume Control and Switch	C11	269 A	.01 MFD. Audio Feed Condenser
R3	922	75,000 Ohm Resistor I.F. Cathode Feed	C12		
R4	921	40,000 Ohm Resistor Screen Feed	C13	928	25 MFD. C. Bias By-pass
R5	919	5,000 Ohm Resistor First Detector & Oscillator Cathode	C14	<del>100</del> 1085	12 MFD. Voltage Filter Condenser
R6	1063	500 Ohm Resistor I.F. Cathode Feed	C15	<del>100</del> 1085	4 MFD. Voltage Filter Condenser
R7	941	20,000 Ohm Resistor Second Detector Cathode	C16	265	.001 MFD. Antenna Series Condenser
R8			C17	267 A	.5 B Supply By-pass Condenser
R9	924	250,000 Ohm Resistor Second Detector Plate Load	C18	272 A	.1 200 Volt Screen By-pass Condenser
R10	925	500,000 Ohm Resistor Output Grid Bias	C19	<del>945</del> 1085	4 MFD. Voltage Filter Condenser
R11	1063	500 Ohm Resistor 43 Bias	C20	272 A	.1 MFD. 200 Volt Line By-pass Condenser
R12	1308	20 OHM PILOT LIGHT SHUNT.			
C1	833	365 MMFD. Preselector Section of Variable Condenser	L1	847	INDUCTANCES Preselector Primary 178 Turns #36 S.S.E. U.W.
C2	833	365 MMFD. Preselector Section of Variable Condenser	L2	847	Preselector First Secondary 128 Turns #36 S.S.E. U.W.
C3	833	350 MMFD. Oscillator Section of Variable Condenser	L3	847	Preselector Second Secondary 133 Turns #36 S.S.E. U.W.
C4	265	.001 MFD. First Detector & Oscillator Cathode Condenser	L4	938	Oscillator Coil 98 Turns Tapped 15 Turns #36 S.S.E. U.W.
C5	264	.00005 MFD. Oscillator Coupling Condenser	L5	938	First I.F. Primary 650 Turns #36 S.S.E. U.W.
C6	477	75-150 MMFD. First I.F. Trimmer Condenser	L6	938	First I.F. Secondary 650 Turns #36 S.S.E. U.W.
C7	272 A	.1 MFD. I.F. Cathode By-pass Condenser	L7	937	Second I.F. Primary 650 Turns #36 S.S.E. U.W.
C8	849 183A	75-150 MMFD. Second I.F. Trimmer Condenser	L8	937	Second I.F. Secondary 650 Turns #36 S.S.E. U.W.
C9	<del>849</del> 183A	.2 MFD. Second Detector Cathode	L9		Single #43 Output Transformer
			L10	917	3,000 Ohm Speaker Field
			L11	940	32 Henry Choke