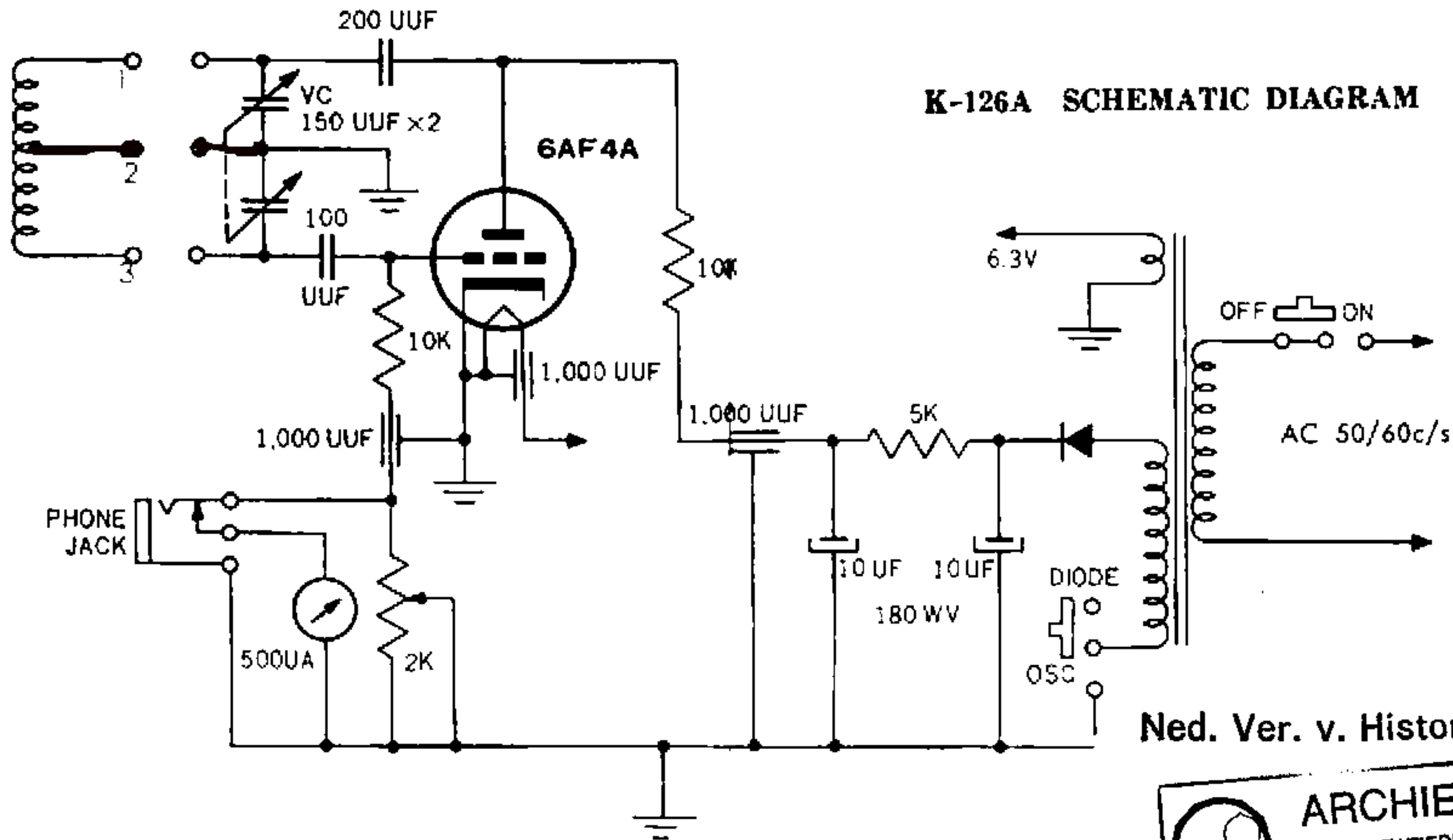


K-126A SCHEMATIC DIAGRAM



Ned. Ver. v. Histor