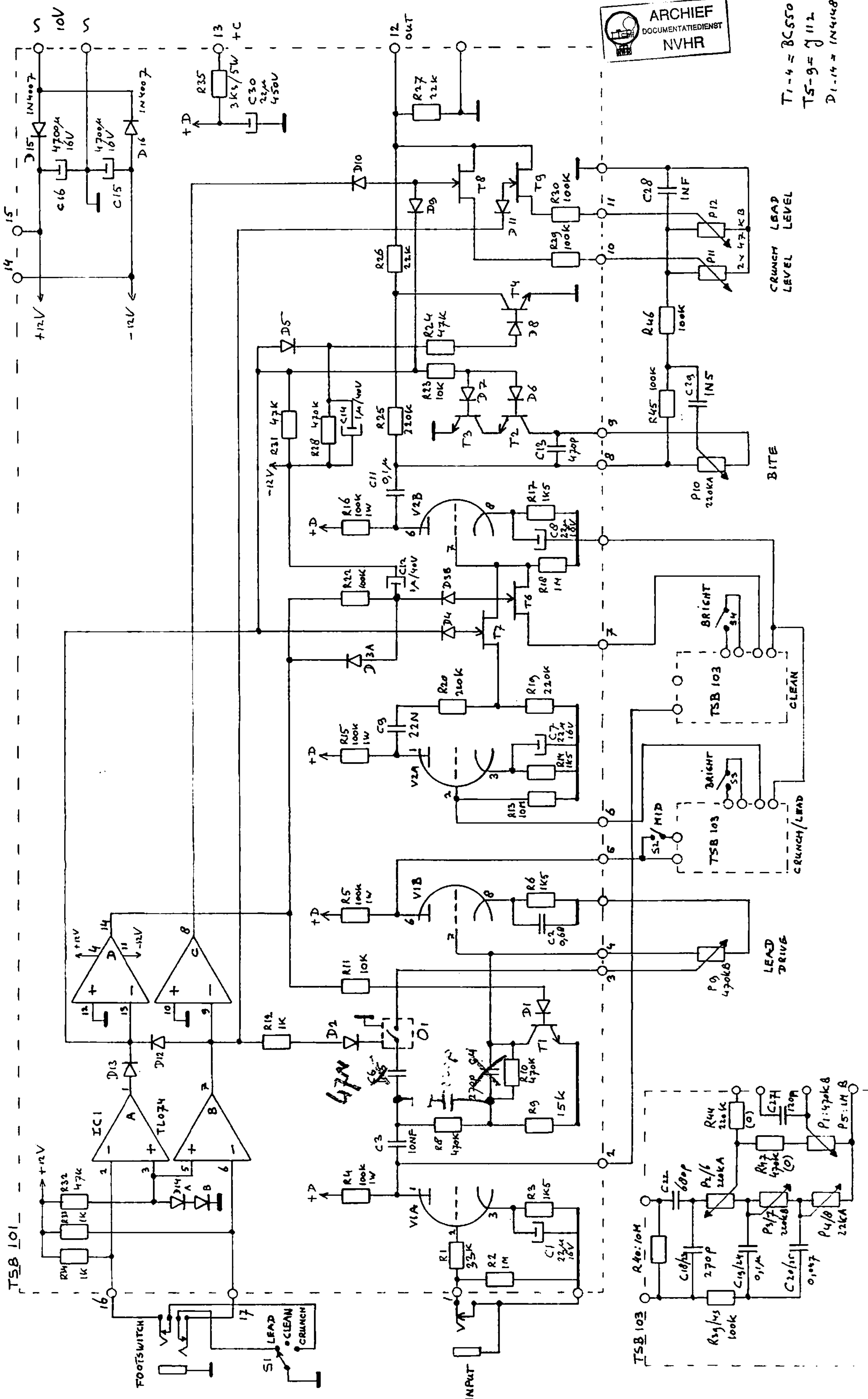


T1-4 = BC550
 T5-9 = J112
 D1-14 = 1N4148



KV 50
 preamp

drawing nr. KV50.100

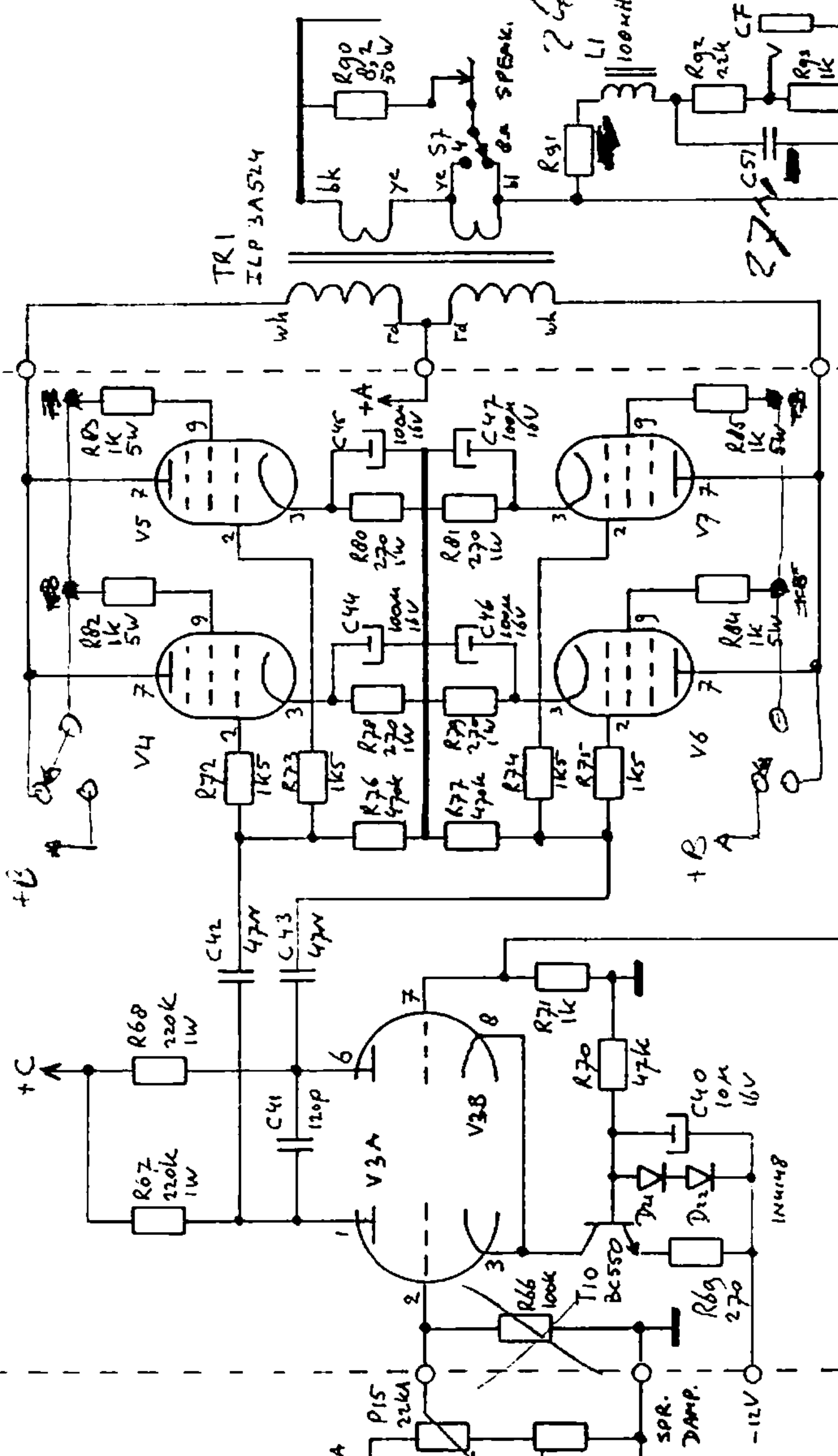
date august 1990

design *DK*

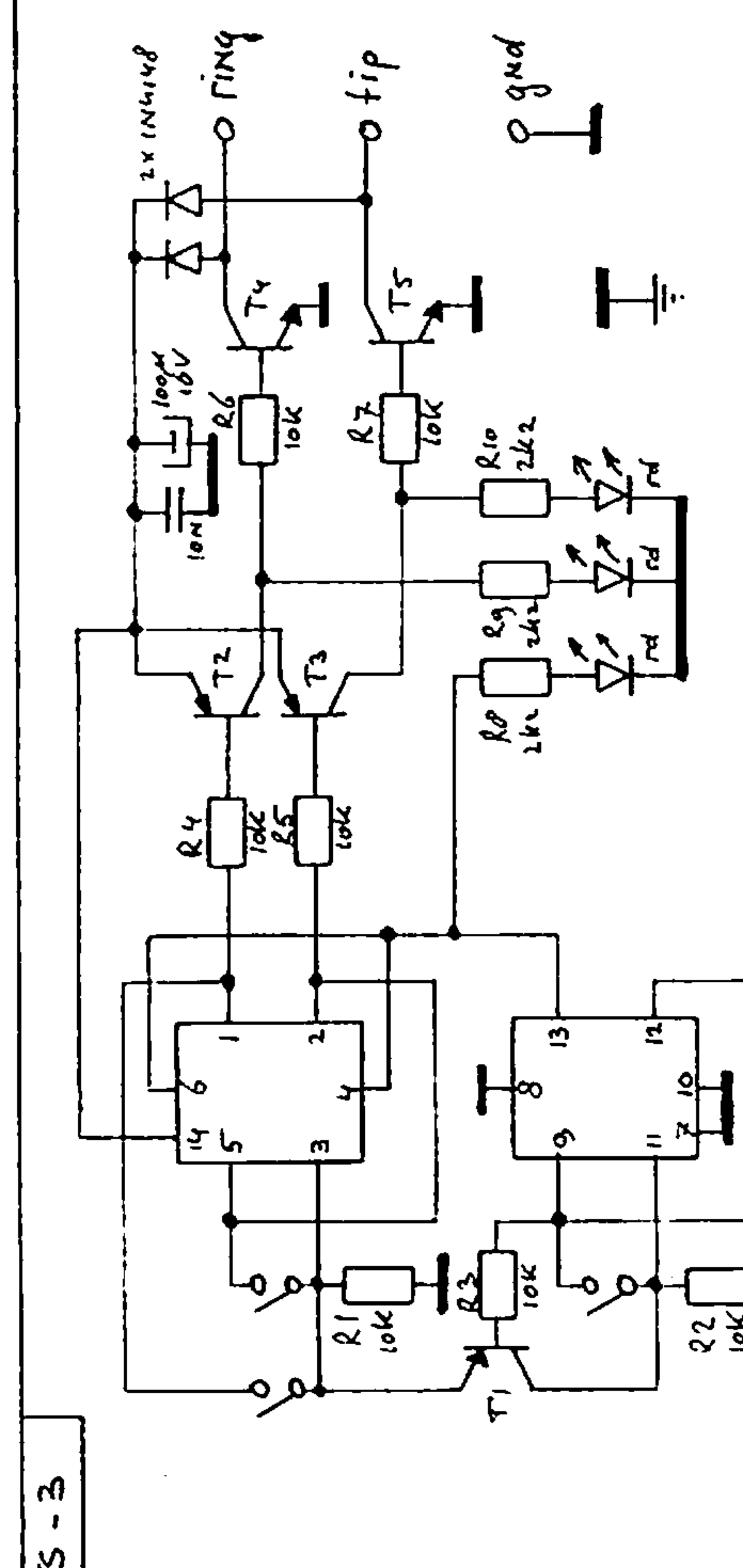
TREBLE/BASS/MID VOLUME
 KOCH GUITAR ELECTR.
 Amersfoort - NL

TRIOLE/HEMIMODIE

TSB 102

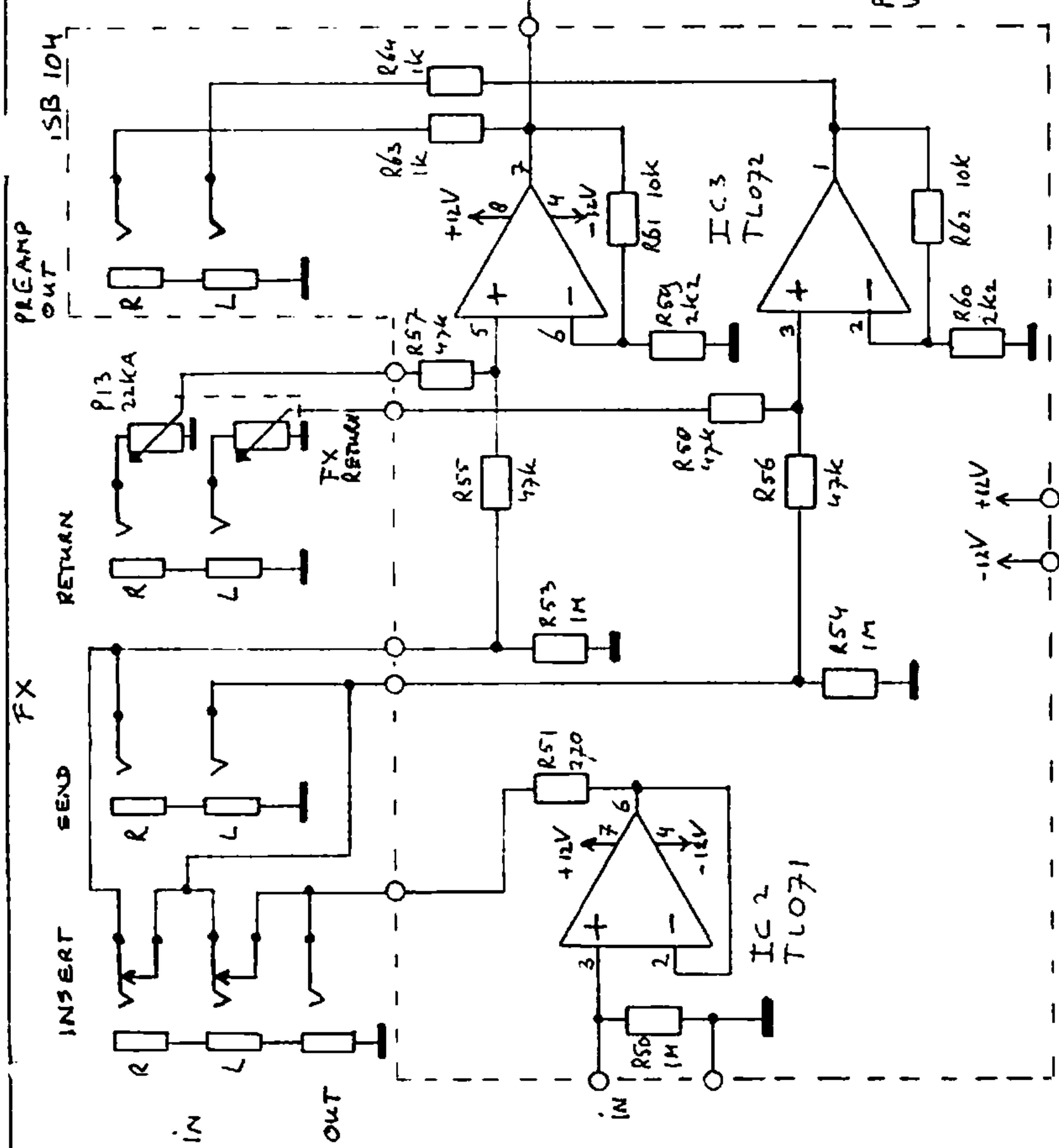


FS-3



T1,3 = BC560
T4,5 = BC550

HEF 4013



PREAMP OUT

RETURN

FX

IN

OUT

KOCH GUITAR ELECTR. Amersfoort - NL	design DK	date August 1990	drawing nr. KV50.101	power amp FX mixer KV 50
				footswitch FS-3