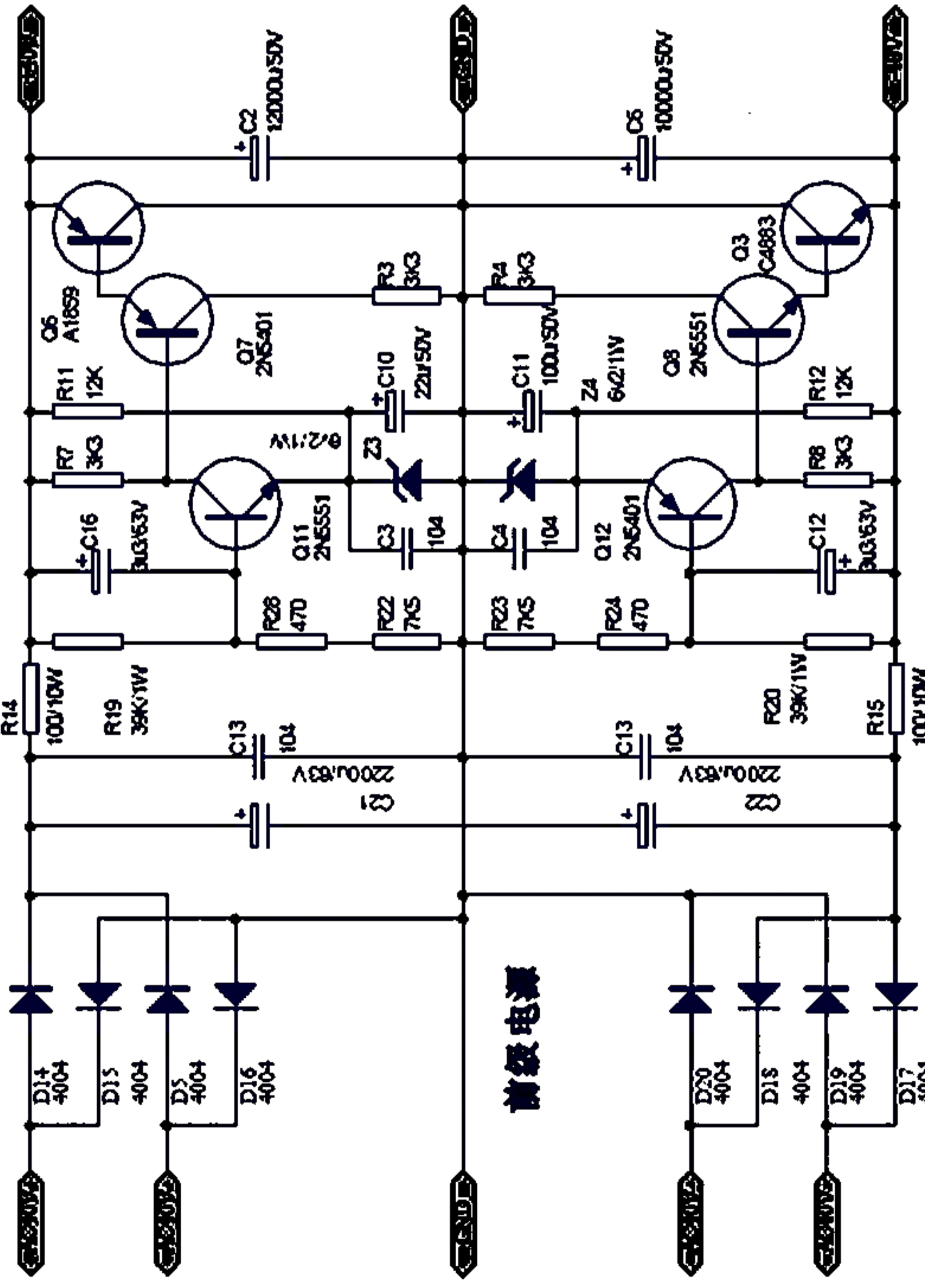


Title		L JA - 88D - B	
Size	A3	Number	
Date:	2012-4-13	Sheet of	
File:	F:\Backlog of	L.Sch	
		Drawn By:	

1	2	3	4	5	6	7	8
---	---	---	---	---	---	---	---

Comment	Description	Designator	Footprint	LibRef	Quantity
10R/2W				205886	1
CON31	Connector	3P		CON3	1
CON38	Connector	4P		CON4	1
CON30	Connector	6P		CON6	1
4.7uF/50V		C134, C137, C141, C142		CAP	4
220uF/50V		C135, C136		ELECTRO1	2
4.7u/25V		C140		ELECTRO1	1
0.1uF		C143, C144, C145, C146, C149, C150		CAP	6
10uF/50V		C147, C148		ELECTRO1	2
IN4148		D29, D30, D32, D34, D36		379062, DIODE	5
IN4004		D31		DIODE	1
G4W-2212		JK36		歐姆龙G4W	1
1.5uH		LR3, LR4		INDUCTOR1	2
C4883		Q59, Q89, Q90, Q98		5601090	4
2SC5200		Q91, Q92, Q93, Q94		5601090	4
A1859		Q96, Q97		4622052	2
C8050		Q99, Q100		NPN	2
BC546		Q101, Q102, Q109, Q112		5601090	4
BC556		Q103, Q104, Q110, Q111		4622052	4
2SA1943		Q105, Q106, Q107, Q108		4622052	4
*R		R269, R270	AXIAL0.4	205886	2
150R/2W		R272, R291	AXIAL0.4	205886	2
15K/2W		R273, R276, R278, R292	AXIAL0.4	205886	4
1K		R274, R279, R280, R290	AXIAL0.4	205886	4
330K		R275, R277	AXIAL0.4	205886	2
3K3		R281		RES2	1
10K		R282, R285, R286, R300		RES2	4
47K		R283		RES2	1
1K		R284		RES2	1
4K7		R287		RES2	1
33K		R288, R289		RES2	2
0.25/5W×2		R295, R296, R297, R298		RES5	4
7K5		R299		RES2	1
330R		R301		RES2	1
2K2		R302, R306, R307, R315	AXIAL0.4	205886	4
510R		R303, R305, R308, R314	AXIAL0.4	205886	4
750R		R304, R309, R311, R313	AXIAL0.4	205886	4
47K		R310, R312	AXIAL0.4	205886	2
18K		R316, R317, R318, R319	AXIAL0.4	205886	4
10R/2W		R320, R321	AXIAL0.4	205886	2
100K		R322, R327	AXIAL0.4	205886	2
330R		R323, R326	AXIAL0.4	205886	2
100R		R324, R325	AXIAL0.4	205886	2
2K		RW3, RW4		269739	2

39.5V~40.5V
=0.3V



±0.3V

