

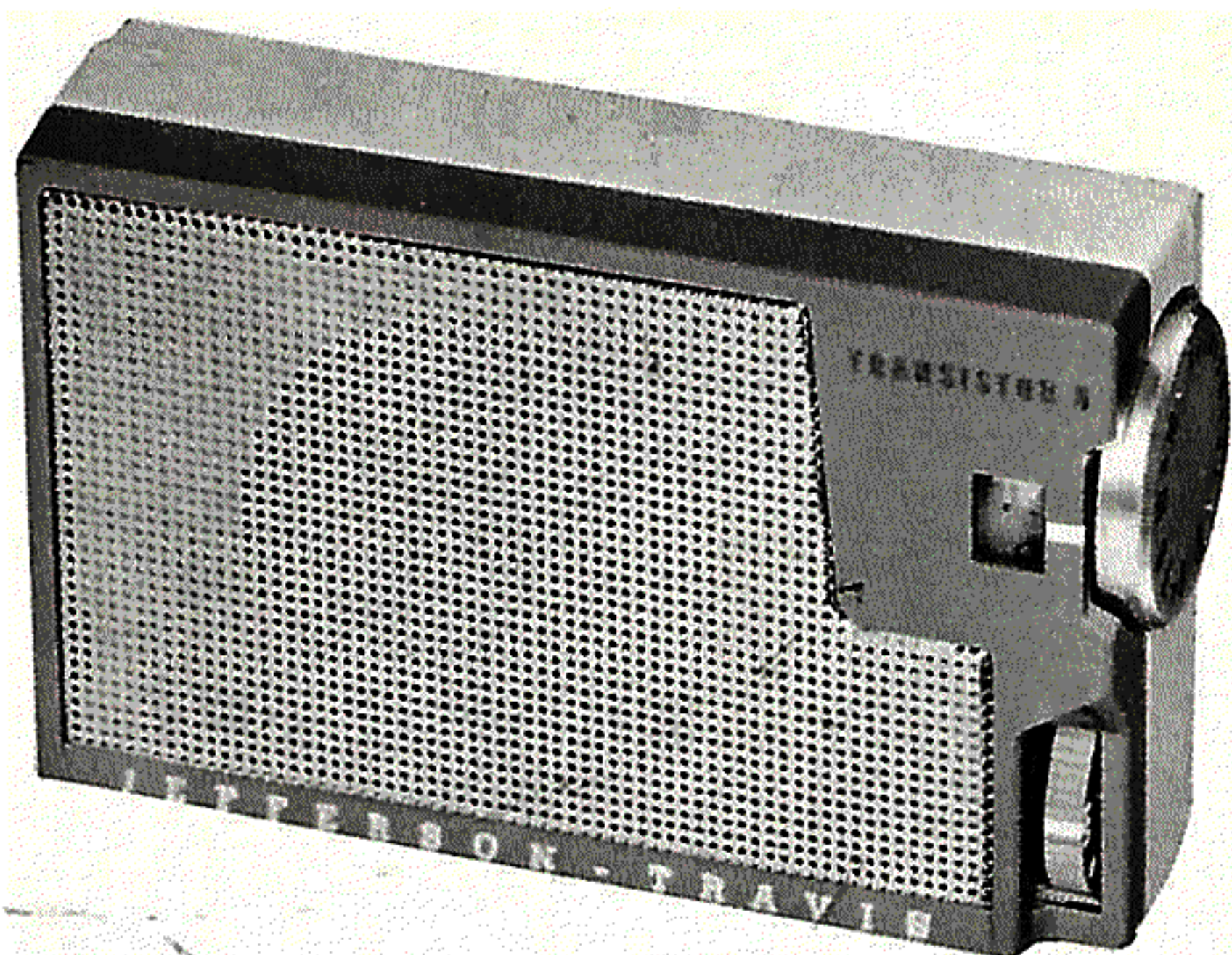
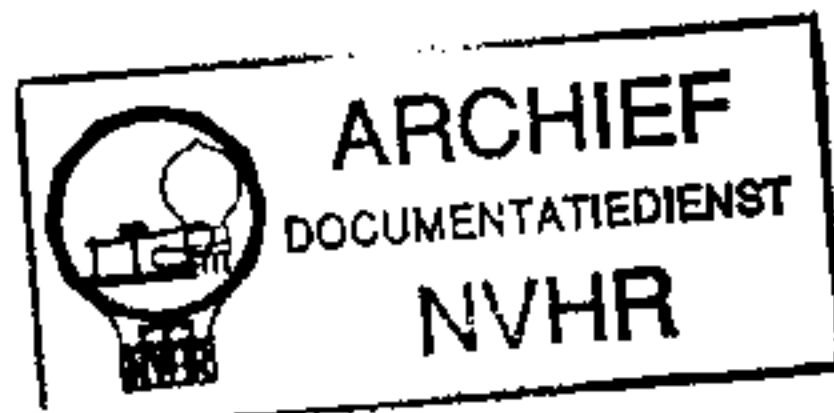
PHOTOFACT® Folder

with CIRCUITRACE®

JEFFERSON-TRAVIS
MODEL JT-E212

Met dank aan Jef Bos

Ned. Ver. v. Historie v/d Radio



TRADE NAME	Jefferson-Travis Model JT-E212		
SUPPLIER	Jefferson-Travis, Inc., Subsidiary of Emerson Radio & Phonograph Corp., 524 W. 23rd St., New York 11, N. Y.		
TYPE SET	Battery Operated Transistorized Portable AM Receiver		
POWER SUPPLY	9 Volts DC	RATING	5MA @ 9 Volts DC (No Signal, Min. Volume)
TUNING RANGE—BROADCAST	540 — 1600KC		7MA @ 9 Volts DC (Signal, Normal Volume)

ALIGNMENT INSTRUCTIONS

ALIGNMENT INSTRUCTIONS—READ CAREFULLY BEFORE ATTEMPTING ALIGNMENT

Volume control should be at maximum position. Output of signal generator should be no higher than necessary to obtain an output reading.

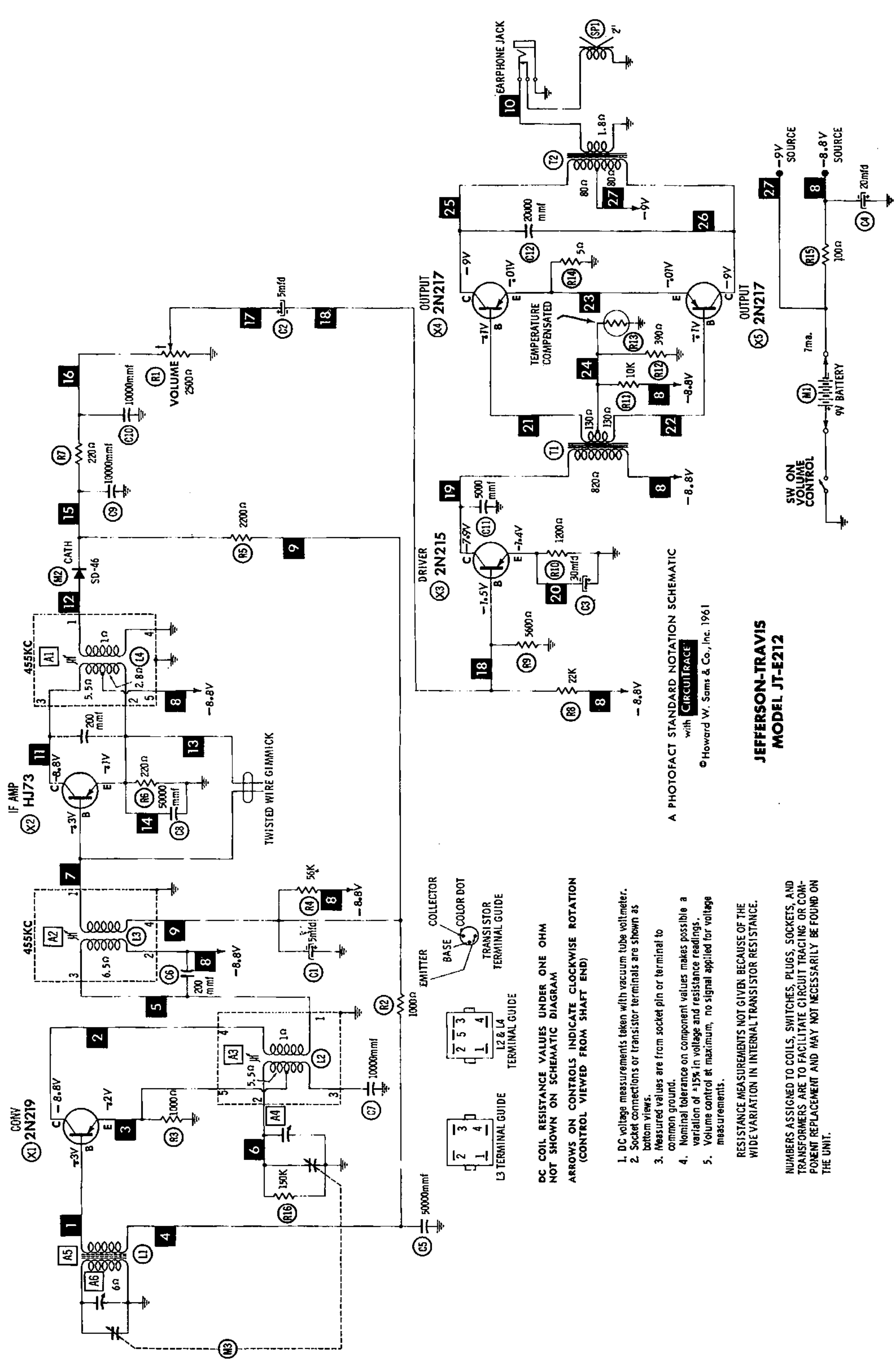
Suggested Alignment Tools: A4, A6... GENERAL CEMENT #5000, 5003, 5066, 8271, 8272, 8276, 8277, 8290, 8609, 8723, 9150, 9298
WALSCO #2515, 2516, 2518, 2519, 2525, 2541

	SIGNAL GENERATOR COUPLING	SIGNAL GENERATOR FREQUENCY	RADIO DIAL SETTING	OUTPUT METER	ADJUST	REMARKS
1.	High side thru .01mfd to antenna stator lug of tuning gang. Low side to chassis.	455KC (400% Mod.)	Tuning gang fully open.	Across voice coil.	A1, A2	Adjust for maximum output.
2.	Loop	525KC	Tuning gang fully closed.	"	A3	Fashion loop of several turns of wire and radiate signal into loop of receiver. Adjust for maximum output.
3.	"	1650KC	Tuning gang fully open.	"	A4	"
4.	"	650KC	650KC	"	A5	"
5.	"	1400KC	1400KC	"	A6	Adjust for maximum output. Repeat Steps 2 thru 5.

HOWARD W. SAMS & CO., INC. Indianapolis 6, Indiana

The listing of any available replacement part herein does not constitute in any case a recommendation, warranty or guaranty by Howard W. Sams & Co., Inc., as to the quality and suitability of such replacement part. The numbers of these parts have been compiled from information furnished to Howard W. Sams & Co., Inc., by the manufacturers of KF282

the particular type of replacement part listed. Reproduction or use, without express permission, of editorial or pictorial content, in any manner, is prohibited. No liability is assumed with respect to the use of the information contained herein. © 1961 Howard W. Sams & Co., Inc., Indianapolis 6, Indiana. Printed in U.S. of America



A PHOTOFAC STANDARD NOTATION SCHEMATIC with CIRCUITRACE

© Howard W. Sams & Co., Inc. 1961

**JEFFERSON-TRAVIS
MODEL JT-E212**

DC COIL RESISTANCE VALUES UNDER ONE OHM NOT SHOWN ON SCHEMATIC DIAGRAM
ARROWS ON CONTROLS INDICATE CLOCKWISE ROTATION (CONTROL VIEWED FROM SHAFT END)

1. DC voltage measurements taken with vacuum tube voltmeter.
2. Socket connections or transistor terminals are shown as bottom views.
3. Measured values are from socket pin or terminal to common ground.
4. Nominal tolerance on component values makes possible a variation of ±15% in voltage and resistance readings.
5. Volume control at maximum, no signal applied for voltage measurements.

RESISTANCE MEASUREMENTS NOT GIVEN BECAUSE OF THE WIDE VARIATION IN INTERNAL TRANSISTOR RESISTANCE.

NUMBERS ASSIGNED TO COILS, SWITCHES, PLUGS, SOCKETS, AND TRANSFORMERS ARE TO FACILITATE CIRCUIT TRACING OR COMPONENT REPLACEMENT AND MAY NOT NECESSARILY BE FOUND ON THE UNIT.

PARTS LIST AND DESCRIPTIONS

TRANSISTORS

ITEM No.	ORIG. TYPE	USE	REPLACEMENT DATA			NOTES
			RCA PART No.	RAYTHEON PART No.	SYLVANIA PART No.	
X1	2N219	Converter	2N219	2N486	2N219	PNP
X2	HJ-73	IF Amplifier		2N483		PNP
X3	2N215	Driver	2N407	2N362	2N104	PNP
X4	2N217	Output	2N407	2N633	2N217	PNP
X5	2N217	Output	2N407	2N633	2N217	PNP

ELECTROLYTIC CAPACITORS

ITEM No.	RATING		REPLACEMENT DATA					NOTES
	CAP.	VOLT.	Jefferson-Travis PART No.	AEROVOX PART No.	CORNELL-DUBILIER PART No.	MALLORY PART No.	PYRAMID PART No.	
C1	5	6	CD-231B			TT6X5		
C2	5	6	CD-231B			TT6X5		
C3	30	3	CD-232B					
C4	20	10	CD-233B					

FIXED CAPACITORS

Capacity values given in the rating column are in mfd. for Paper Capacitors, and in mmfd. for Mica and Ceramic Capacitors.

ITEM No.	RATING	REMARKS	REPLACEMENT DATA					
			AEROVOX PART No.	CENTRALAB PART No.	CORNELL-DUBILIER PART No.	ELMENCO PART No.	MALLORY PART No.	SPRAGUE PART No.
C5	50000		C80V503AM	DA-503	H-05S5		TA-150	TG-S50
C6	200		DI-200	DD-201	LI0T2	CCD-201	GP320	10TS-T20
C7	10000		C80V103AM		H-05S1		TA-110	TG-S10
C8	50000		C80V503AM	DA-503	H-05S5		TA-150	TG-S50
C9	10000		C80V103AM	DM-103	H-05S1		TA-110	TG-S10
C10	10000		C80V103AM	DM-103	H-05S1		TA-110	TG-S10
C11	5000		BPD-005	DM-502	BYA10D5	CCD-502	TA-250	TG-D50
C12	20000		C80V203AM	DA-203	H-05S2		TA-120	TG-S20

CONTROLS

ITEM No.	RATING		REPLACEMENT DATA				INSTALLATION NOTES	
	RESISTANCE	WATTS	Jefferson-Travis PART No.	CENTRALAB PART No.	CLAROSTAT PART No.	CTS-IRC PART No.		MALLORY PART No.
R1	2500Ω	1/10	RD-133K					Volume & Switch

RESISTORS (IRC or EQUIVALENT)

All wattages 1/2 watt, or less, unless otherwise listed.

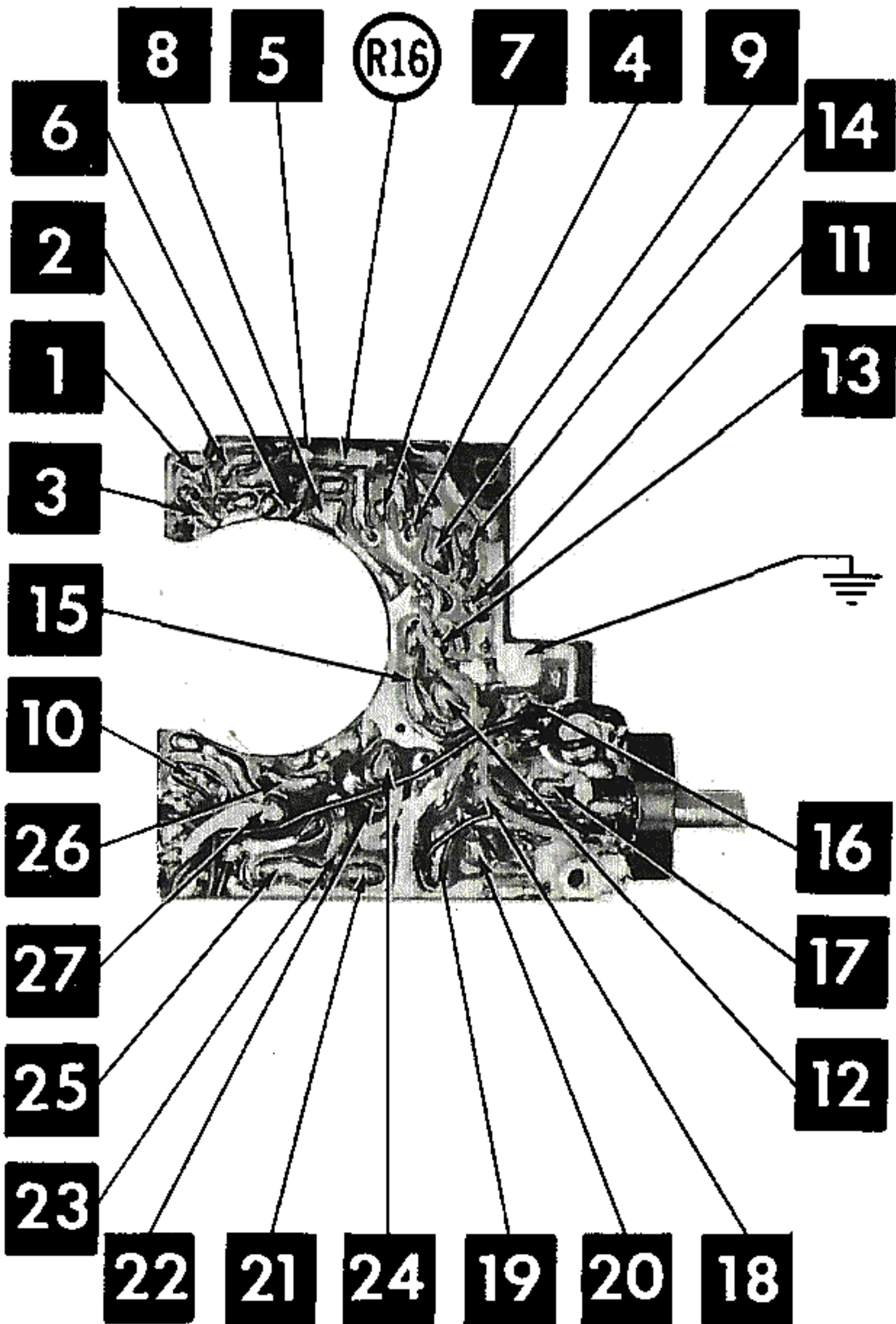
ITEM No.	RATING	REMARKS
R2	1000Ω	
R3	1000Ω	
R4	56K	
R5	2200Ω	
R6	220Ω	

ITEM No.	RATING	REMARKS
R7	220Ω	
R8	22K	
R9	5600Ω	
R10	1200Ω	
R11	10K	

ITEM No.	RATING	REMARKS
R12	390Ω	
R13	Temp. Comp.	Pt. #B-2B
R14	5Ω	
R15	100Ω	
R16	150K	

COILS (RF-IF)

ITEM No.	USE	REPLACEMENT DATA				NOTES
		Jefferson-Travis PART No.	Merit PART No.	Miller PART No.	Stancor PART No.	
L1	Loopstick	LT-168K				
L2	Osc. Coil	LT-235				
L3	Input IF Trans.	LT-326A				
L4	Output IF Trans.	LT-331B				



PARTS LIST AND DESCRIPTIONS (Continued)

TRANSFORMER (DRIVER)

ITEM No.	TURNS RATIO		REPLACEMENT DATA					NOTES
			Jefferson-Travis PART No.	Merit PART No.	Stancor PART No.	Thordarson PART No.	Triad PART No.	
	PRI.	SEC.						
T1	2	1	LT-514					

TRANSFORMER (AUDIO OUTPUT)

ITEM No.	IMPEDANCE		REPLACEMENT DATA					NOTES
			Jefferson-Travis PART No.	Merit PART No.	Stancor PART No.	Thordarson PART No.	Triad PART No.	
	PRI.	SEC.						
T2	700Ω CT	6-8Ω	LT-437					

SPEAKER

ITEM No.	TYPE			REPLACEMENT DATA		NOTES
				Jefferson-Travis PART No.	QUAM PART No.	
	SIZE	FIELD	V. C. IMP.			
SP1	2"	PM	6-8Ω	SP5-01		

BATTERIES

ITEM No.	VOLTAGE	Jefferson-Travis PART No.	REPLACEMENT DATA						NOTES
			BURGESS		EVEREADY		MALLORY		
			"A"	"B"	"A"	"B"	"A"	"B"	
M1	9V			2U6		2I6		M-1604	

SIGNAL DIODES

ITEM No.	ORIG. TYPE	REPLACEMENT DATA				NOTES
		Jefferson-Travis PART No.	GENERAL ELECTRIC PART No.	RAYTHEON PART No.	SYLVANIA PART No.	
		M2	SD-46	SD-46		

MISCELLANEOUS

ITEM No.	PART NAME	Jefferson-Travis PART No.	NOTES
M3	Tuning Cap.	CD-132	

CABINETS & CABINET PARTS

(When Ordering Cabinets & Cabinet Parts, Specify Model, Chassis & Color)

NAME	PART NO.	DESCRIPTION
Cabinet	MD-2901B	

WIRING DATA

General-use Unshielded Hook-up Wire Use BELDEN No. 8530 (Solid) Available in Ten Colors
8524 (Stranded) Available in Ten Colors

