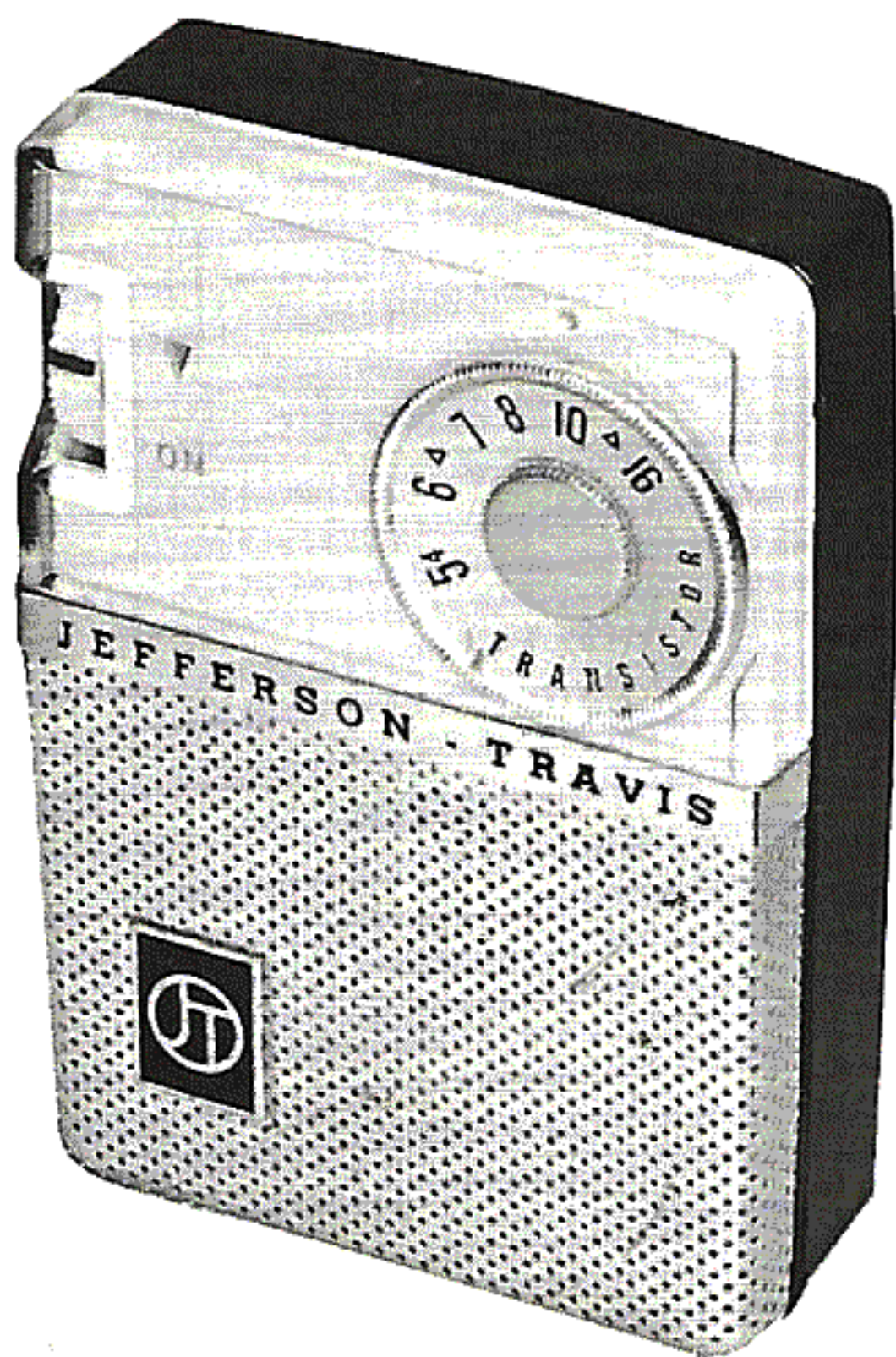


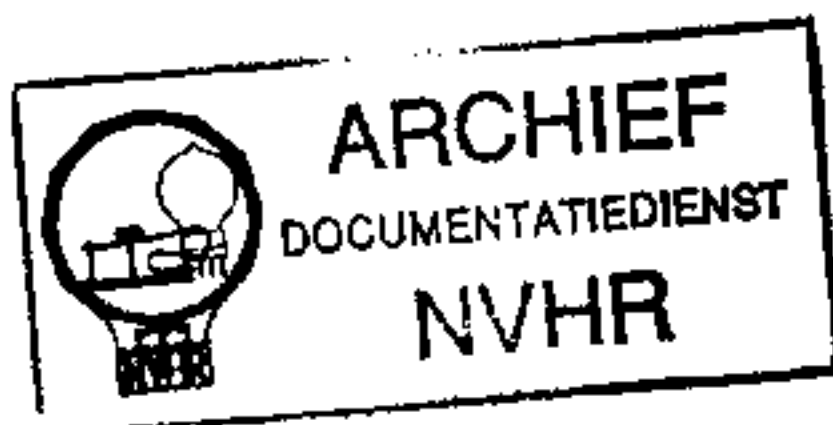
PHOTOFACT® Folder

with CIRCUITRACE®

JEFFERSON-TRAVIS
MODEL JT-D210



Ned. Ver. v. Historie v/d Radio



Met dank aan Jef Bos

TRADE NAME	Jefferson-Travis Model JT-D210		
SUPPLIER	Jefferson-Travis, Inc., Subsidiary of Emerson Radio & Phonograph Corp., 524 W. 23rd Street, New York 11, N. Y.		
TYPE SET	Battery Operated Transistorized Portable AM Receiver		
POWER SUPPLY	9 Volts DC	RATING	IIMA@9 Volts DC (Min. -Max. Volume)
TUNING RANGE—BROADCAST	540 — 1600KC		

ALIGNMENT INSTRUCTIONS

ALIGNMENT INSTRUCTIONS—READ CAREFULLY BEFORE ATTEMPTING ALIGNMENT

Volume control should be at maximum position. Output of signal generator should be no higher than necessary to obtain an output reading.

Suggested Alignment Tools: A4 and A6... GENERAL CEMENT #5000, 5003, 5066, 8271, 8272, 8276, 8277, 8290, 8609, 8722, 9150, 9298

WALSCO #2515, 2516, 2518, 2519, 2525, 2541

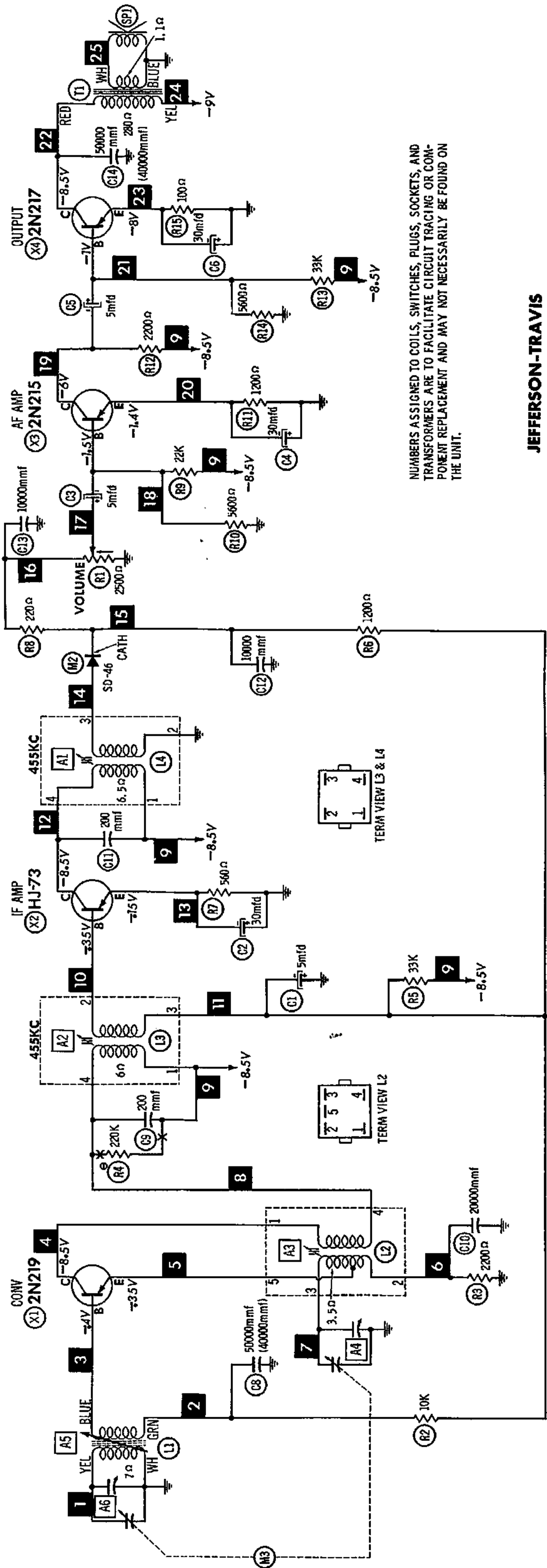
	SIGNAL GENERATOR COUPLING	SIGNAL GENERATOR FREQUENCY	RADIO DIAL SETTING	OUTPUT METER	ADJUST	REMARKS
1.	High side thru .1mfd to antenna stator lug of tuning gang. Low side to chassis.	455KC (400v Mod.)	Tuning gang fully open.	Across voice coil.	A1, A2	Adjust for maximum output.
2.	Loop	525KC	Tuning gang fully closed.	"	A3	Fashion loop of several turns of wire and radiate signal into loop of receiver. Adjust for maximum output.
3.	"	1650KC	Tuning gang fully open.	"	A4	"
4.	"	630KC	630KC Signal.	"	A5	"
5.	"	1400KC	1400KC Signal.	"	A6	Adjust for maximum output. Repeat Steps 2 thru 5.

HOWARD W. SAMS & CO., INC. Indianapolis 6, Indiana

The listing of any available replacement part herein does not constitute in any case a recommendation, warranty or guaranty by Howard W. Sams & Co., Inc., as to the quality and suitability of such replacement part. The numbers of these parts have been compiled from information furnished to Howard W. Sams & Co., Inc., by the manufacturers of

the particular type of replacement part listed. Reproduction or use, without express permission, of editorial or pictorial content, in any manner, is prohibited. No patent liability is assumed with respect to the use of the information contained herein. © 1961 Howard W. Sams & Co., Inc., Indianapolis 6, Indiana. Printed in U.S. of America

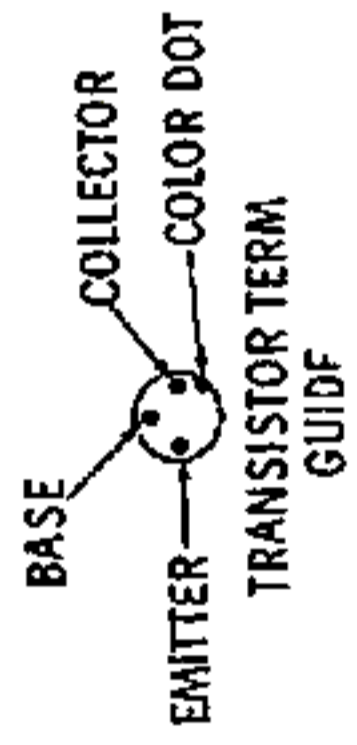




NUMBERS ASSIGNED TO COILS, SWITCHES, PLUGS, SOCKETS, AND TRANSFORMERS ARE TO FACILITATE CIRCUIT TRACING OR COMPONENT REPLACEMENT AND MAY NOT NECESSARILY BE FOUND ON THE UNIT.

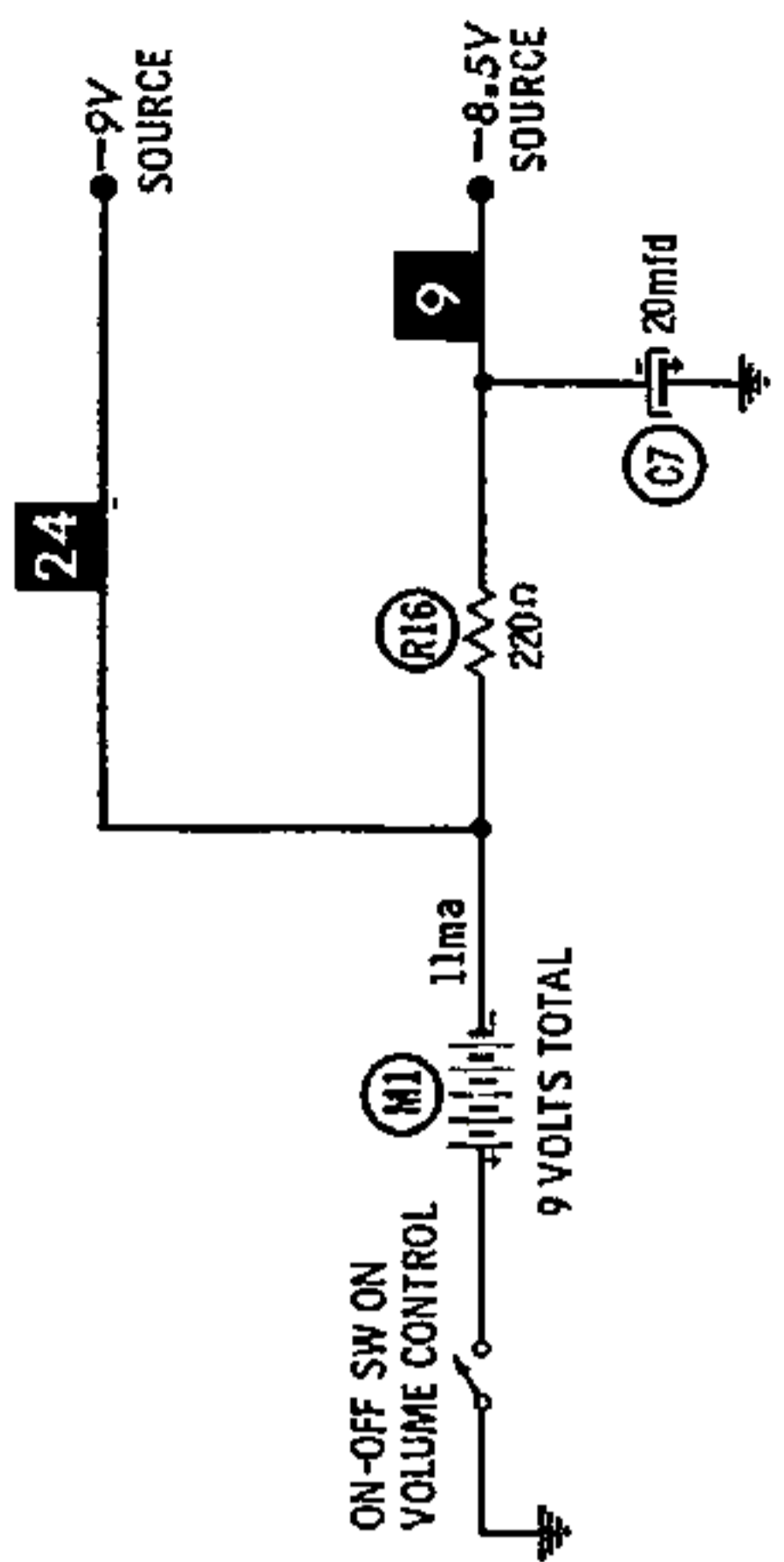
JEFFERSON-TRAVIS MODEL JT-D210

1. DC voltage measurements taken with vacuum tube voltmeter.
2. Socket connections or transistor terminals are shown as bottom views.
3. Measured values are from socket pin or terminal to common ground.
4. Nominal tolerance on component values makes possible a variation of $\pm 15\%$ in voltage and resistance readings.
5. Volume control at maximum, no signal applied for voltage measurements.



- SEE PARTS LIST FOR ALTERNATE VALUE OR APPLICATION
- DC COIL RESISTANCE VALUES UNDER ONE OHM NOT SHOWN ON SCHEMATIC DIAGRAM
- ARROWS ON CONTROLS INDICATE CLOCKWISE ROTATION (CONTROL VIEWED FROM SHAFT END)
- RESISTANCE MEASUREMENTS NOT GIVEN BECAUSE OF THE WIDE VARIATION IN INTERNAL TRANSISTOR RESISTANCE.

A PHOTOFACT STANDARD NOTATION SCHEMATIC
with **CIRCUITRACE**
© Howard W. Sams & Co., Inc. 1961



PARTS LIST AND DESCRIPTIONS

TRANSISTORS

ITEM No.	ORIG. TYPE	USE	REPLACEMENT DATA			NOTES
			RCA PART No.	RAYTHEON PART No.	SYLVANIA PART No.	
X1	2N219	Converter IF Amplifier AF Amp. Output	2N219	2N483	2N219	PNP
X2	HJ-73			2N631		PNP
X3	2N215		2N407	2N362	2N104	PNP
X4	2N217		2N407	2N631	2N217	PNP

ELECTROLYTIC CAPACITORS

ITEM No.	RATING		Jefferson - Travis PART No.	AEROVOX PART No.	CORNELL-DUBILIER PART No.	MALLORY PART No.	PYRAMID PART No.	SPRAGUE PART No.	NOTES
	CAP.	VOLT.							
C1	5	6	CD-231B		NLW5-6	TT6X5	ML5-6	TE-1084	
C2	30	3	CD-232B		NLW30-6	TT6X30	ML25-3	TE-1092	
C3	5	6	CD-231B		NLW5-6	TT6X5	ML5-6	TE-1084	
C4	30	3	CD-232B		NLW30-6	TT6X30	ML25-3	TE-1092	
C5	5	6	CD-231B		NLW5-6	TT6X5	ML5-6	TE-1084	
C6	30	3	CD-232B		NLW30-6	TT6X30	ML25-3	TE-1092	
C7	20	10	CD-233B		NLW20-15	TT15X20	MLV20-12	TE-1130	

FIXED CAPACITORS

Capacity values given in the rating column are in mfd. for Paper Capacitors, and in mmfd. for Mica and Ceramic Capacitors.

ITEM No.	RATING	REMARKS	REPLACEMENT DATA					SPRAGUE PART No.
			AEROVOX PART No.	CENTRALAB PART No.	CORNELL-DUBILIER PART No.	ELMENCO PART No.	MALLORY PART No.	
C8	50000	(40000) †	C80V-503AM	DD-201	H-05S5	CCD-201	TA-150	TG-S50
C9	200		DI-200		L10T2		GP320	10TS-T2
C10	20000		C80V-203AM	DD-201	H-05S2		TA-120	TG-S20
C11	200		DI-200		L10T2		GP320	10TS-T2
C12	10000	(40000) †	C80V-103AM	DD-201	H-05S1	CCD-201	TA-110	TG-S10
C13	10000		C80V-103AM		H-05S1		TA-110	TG-S10
C14	50000		C80V-503AM		H-05S5		TA-150	TG-S50

† Alternate Value.

CONTROLS

ITEM No.	RATING		Jefferson-Travis PART No.	CENTRALAB PART No.	CLAROSTAT PART No.	CTS-IRC PART No.	MALLORY PART No.	INSTALLATION NOTES
	RESISTANCE	WATTS						
R1	2500Ω	1/10	RD-127	B16-212				Volume & Switch

RESISTORS

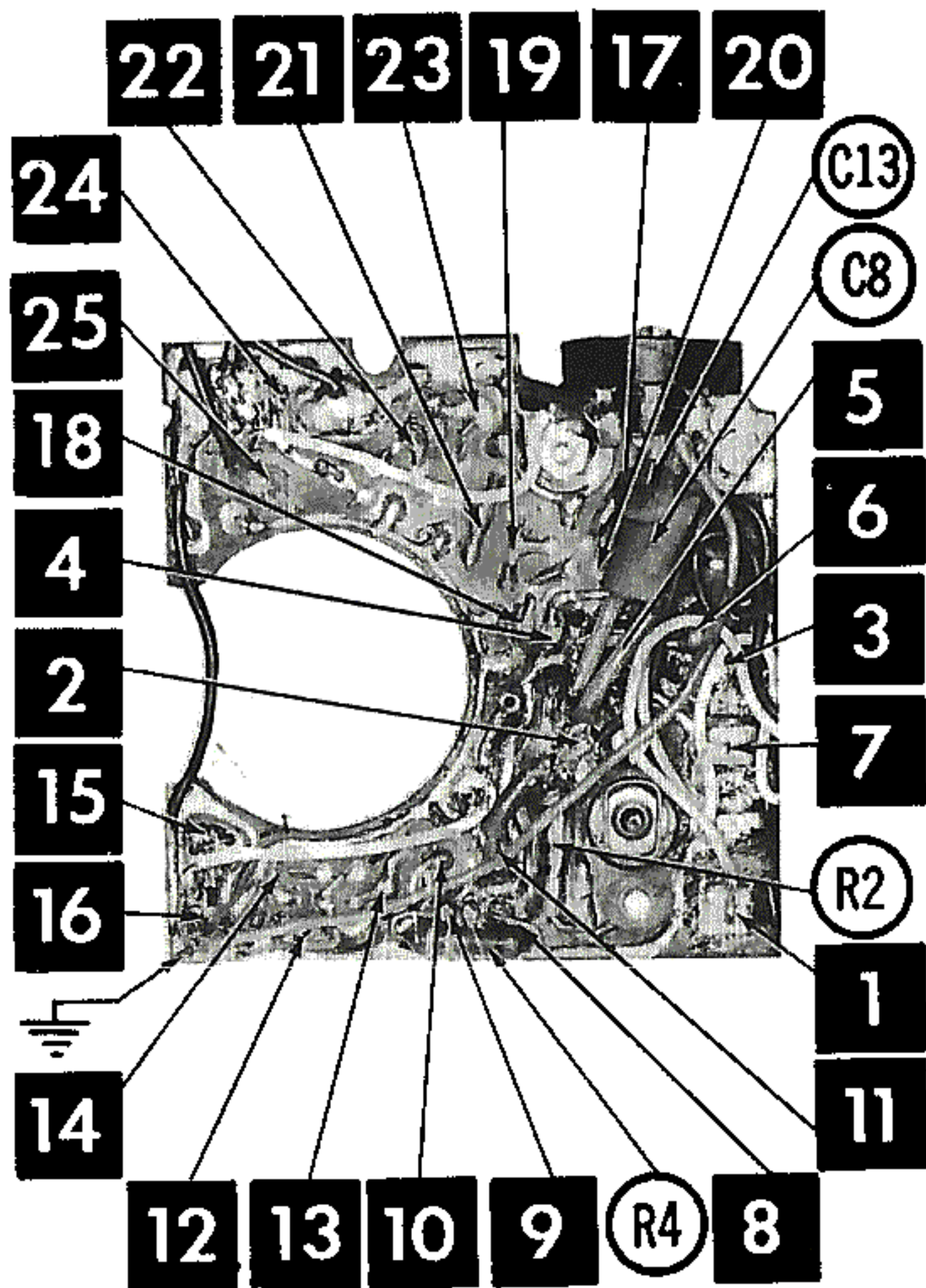
All wattages 1/2 watt, or less, unless otherwise listed.

ITEM No.	RATING	REPLACEMENT DATA			ITEM No.	RATING	REPLACEMENT DATA		
		IRC PART No.	WORKMAN TV PART No.	REMARKS			IRC PART No.	WORKMAN TV PART No.	REMARKS
R2	10K			Note 1	R10	5800Ω			
R3	2200Ω				R11	1200Ω			
R4	220K				R12	2200Ω			
R5	33K				R13	33K			
R6	1200Ω				R14	5800Ω			
R7	580Ω				R15	100Ω			
R8	220Ω				R16	220Ω			
R9	22K								

Note 1. Not used in some versions.

PRINTED BOARD

A Howard W. Sams **CIRCUITRACE⁺** Photo



PARTS LIST AND DESCRIPTIONS (Continued)

COILS (RF-IF)

ITEM No.	USE	REPLACEMENT DATA				NOTES
		Jefferson-Travis PART No.	Merit PART No.	Miller PART No.	Stancor PART No.	
L1	Loopstick	LT-148K				
L2	Osc. Coil	LT-226				
L3	Input IF Trans.	LT-326A				
L4	Output IF Trans.	LT-326B				

TRANSFORMER (AUDIO OUTPUT)

ITEM No.	IMPEDANCE		REPLACEMENT DATA				NOTES
	PRI.	SEC.	Jefferson-Travis PART No.	Merit PART No.	Stancor PART No.	Thordarson PART No.	
T1	1500Ω	6-8Ω	LT-436				

SPEAKER

ITEM No.	TYPE			REPLACEMENT DATA		NOTES
	SIZE	FIELD	V. C. IMP.	Jefferson-Travis PART No.	QUAM PART No.	
SP1	2"	PM	6-8Ω	SP5-01		

BATTERIES

ITEM No.	VOLTAGE	Jefferson-Travis PART No.	REPLACEMENT DATA						NOTES
			BURGESS		EVEREADY		MALLORY		
			"A"	"B"	"A"	"B"	"A"	"B"	
M1	9V	BL006P		2U6		216		M-1604	

SIGNAL DIODES

ITEM No.	ORIG. TYPE	REPLACEMENT DATA				NOTES
		Jefferson-Travis PART No.	GENERAL ELECTRIC PART No.	RAYTHEON PART No.	SYLVANIA PART No.	
M2	SD-46	SD-46		1N60	1N60	Detector (Pigtall)

MISCELLANEOUS

ITEM No.	PART NAME	Jefferson-Travis PART No.	NOTES
M3	Tuning Cap.	CD-129	2 Gang

CABINETS & CABINET PARTS

(When Ordering Cabinets & Cabinet Parts, Specify Model, Chassis & Color)

NAME	PART NO.	DESCRIPTION
Dial Cabinet	MD-1981 MD-1980B	

WIRING DATA

General-use Unshielded Hook-up Wire Use BELDEN No. 8530 (Solid) Available in Ten Colors
8524 (Stranded) Available in Ten Colors

CHASSIS—TOP VIEW

