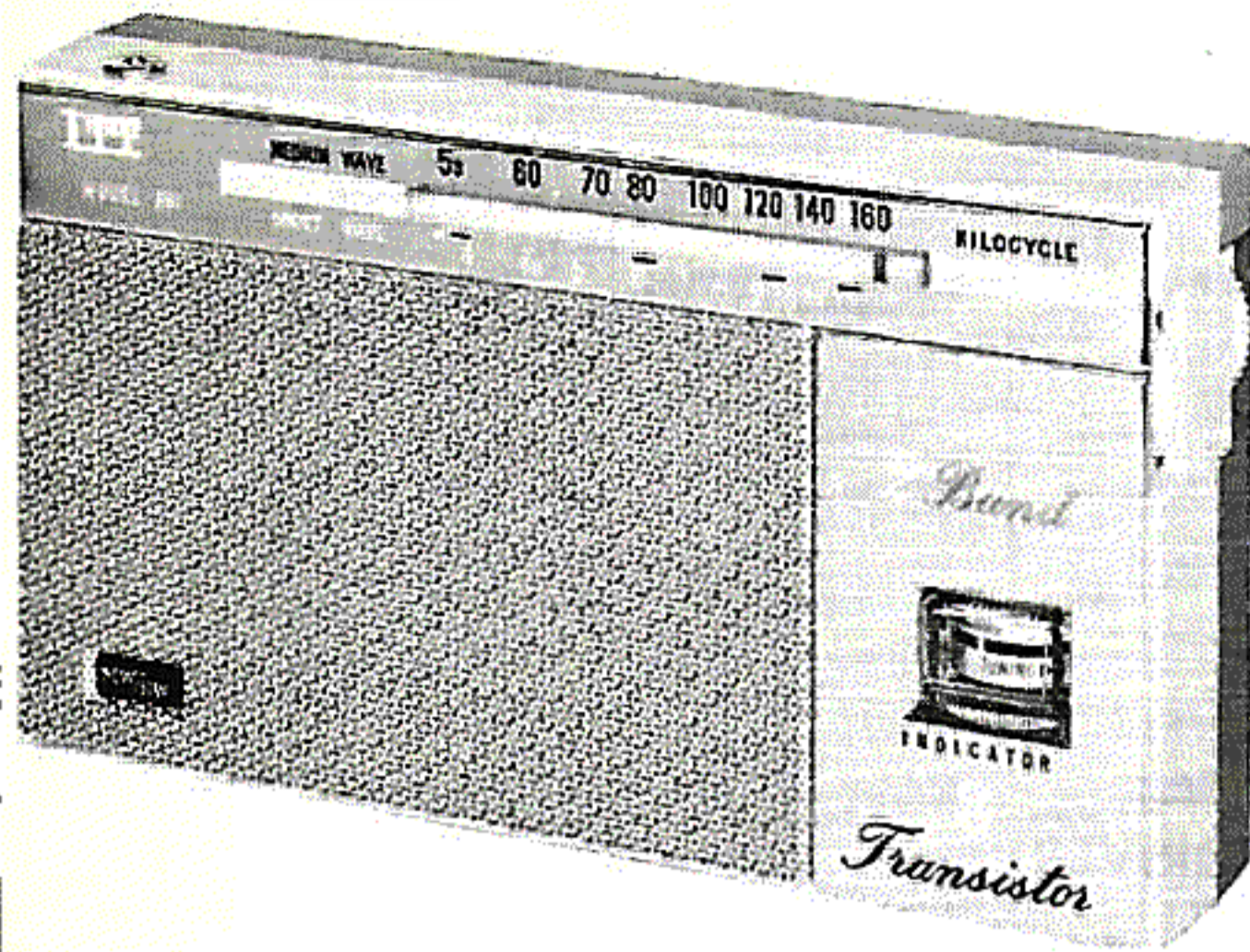


Met dank aan Jef Bos



TRADE NAME: ITT Model 881-S  
 SUPPLIER: Distributor Products Div., ITT Corp.,  
 P. O. Box 99, Lodi, N. J.  
 TYPE SET: 8 Transistor BC-SW Receiver  
 POWER SUPPLY: 6 Volts DC  
 RATING: 5MA@6 VDC (No Signal, Min. Volume)  
 12MA@6 VDC (Signal, Normal Volume)  
 TUNING RANGE: BROADCAST 535 - 1620KC  
 SHORT WAVE 3.9 - 12MC

NVHR

## ALIGNMENT INSTRUCTIONS

Use only enough generator output to provide a usable indication.  
 Selector Switch as indicated.

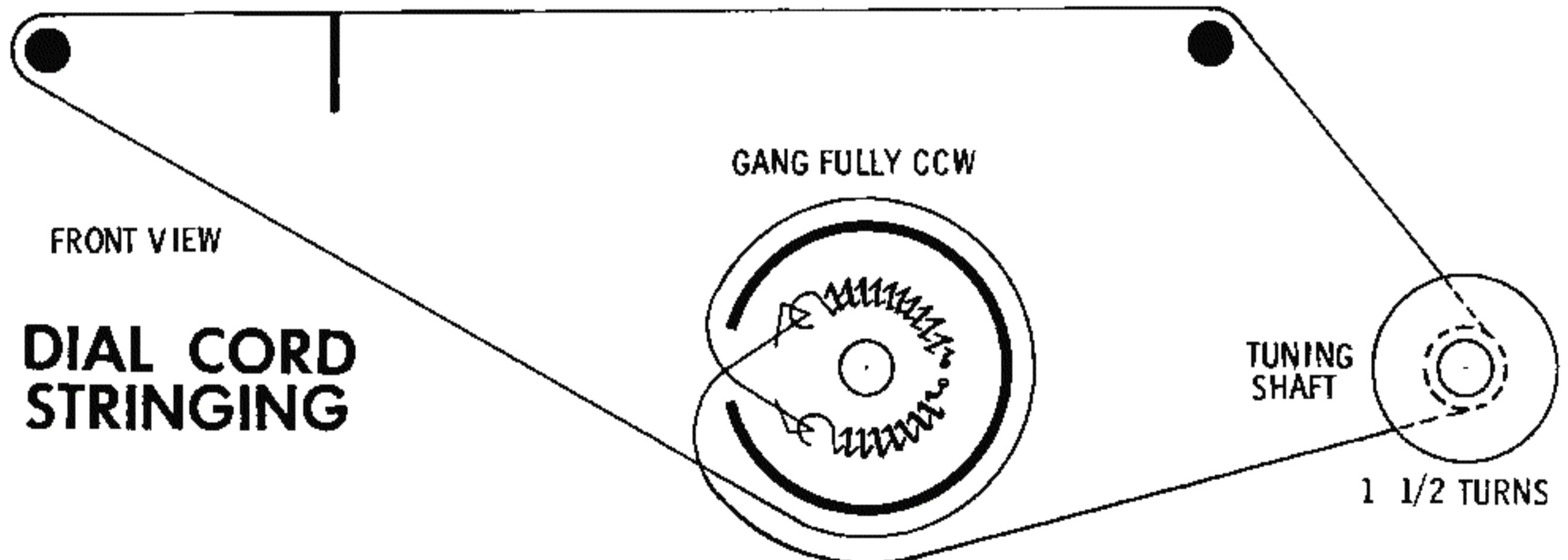
Suggested Alignment Tools: A1 thru A7, A9.... GENERAL CEMENT #9089, 5066, 5000 WALSCO #2515, 2516, 2518, 2519, 2525, 2541  
 A8..... GENERAL CEMENT #9440, 8606..... WALSCO #2526, 2541, 2542, 2543, 2544

### IF-BC RF ALIGNMENT

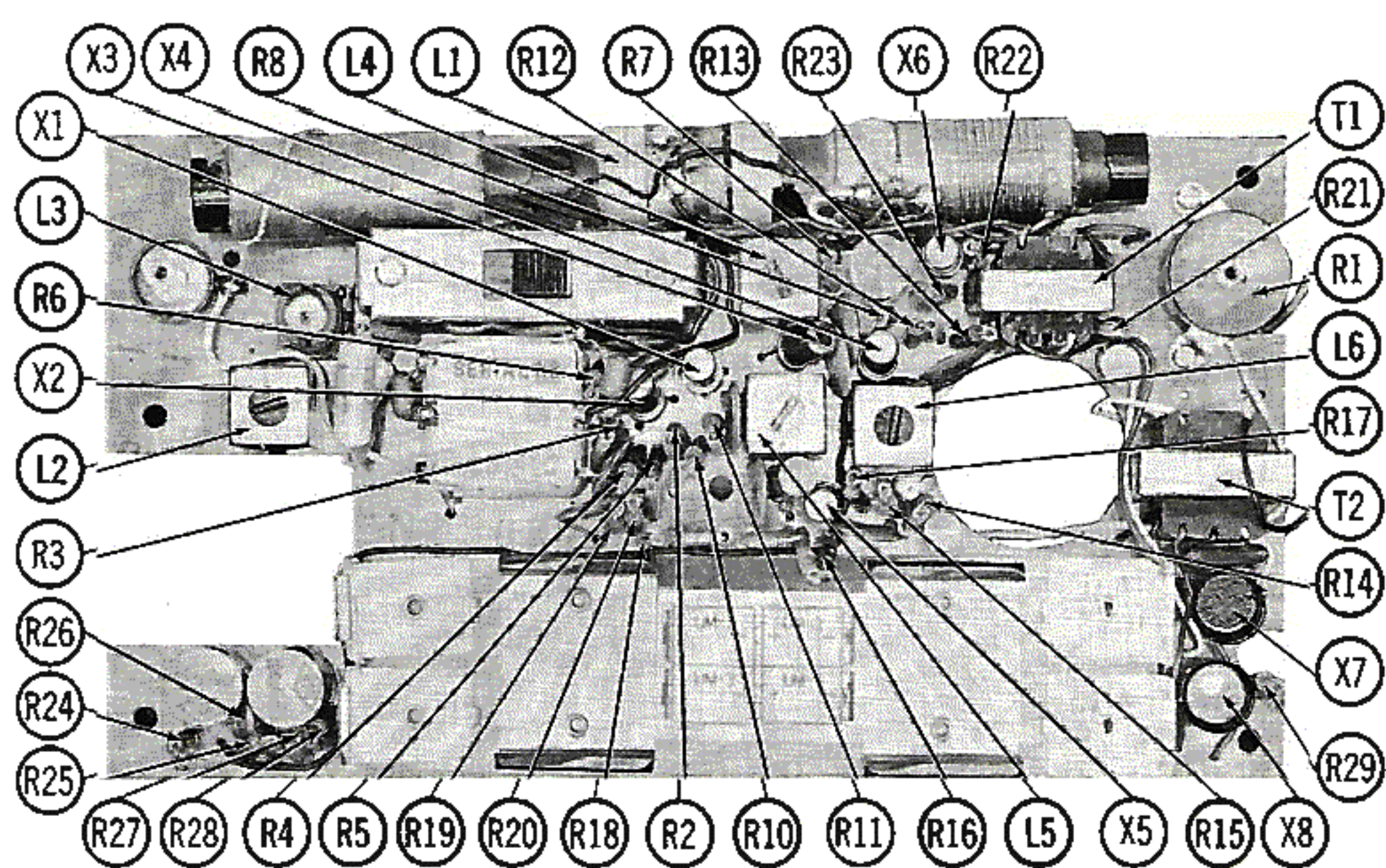
	SIGNAL GENERATOR COUPLING	SIGNAL GENERATOR FREQUENCY	RADIO DIAL SETTING	INDICATOR	ADJUST	REMARKS
1.	Fashion loop of several turns of wire and radiate signal into loop of receiver.	455KC (Unmod.)	(MW) Tuning gang fully open.	DC VTVM across volume control.	A1, A2, A3	Adjust for maximum deflection.
2.	"	1620KC	"	"	A4	"
3.	"	600KC	600KC	"	A5	Adjust for maximum while rocking gang. Repeat step 2.
4.	"	1400KC	1400KC	"	A6	Adjust for maximum deflection.

### SW RF ALIGNMENT

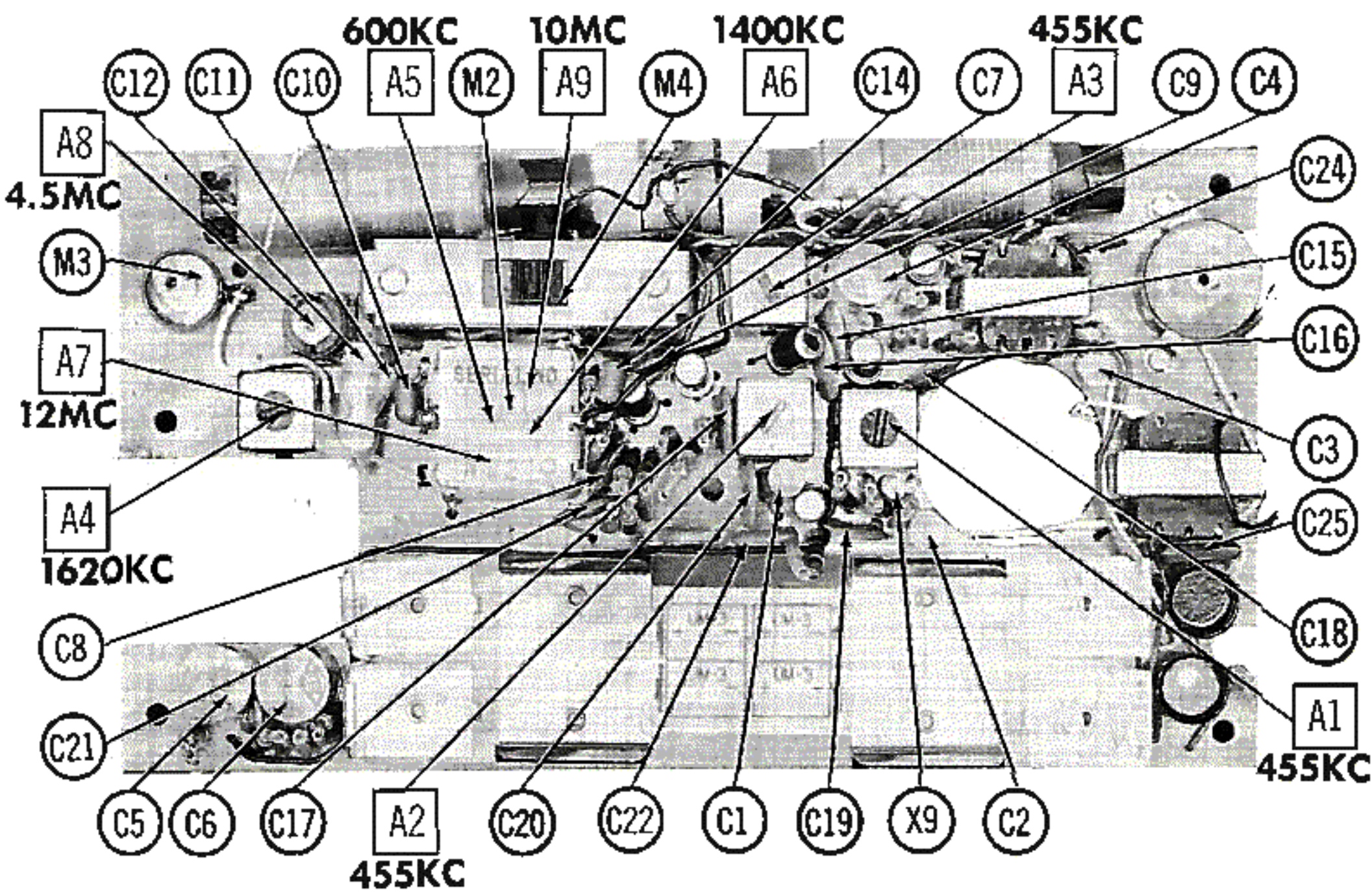
	SIGNAL GENERATOR COUPLING	SIGNAL GENERATOR FREQUENCY	RADIO DIAL SETTING	INDICATOR	ADJUST	REMARKS
5.	Fashion loop of several turns of wire and radiate signal into loop of receiver.	12MC	(SW) 12MC	DC VTVM across volume control.	A7	Adjust for maximum deflection.
6.	"	4.5MC	4.5MC	"	A8	"
7.	"	10MC	10MC	"	A9	"



**HOWARD W. SAMS & CO., INC.** Indianapolis 6, Indiana

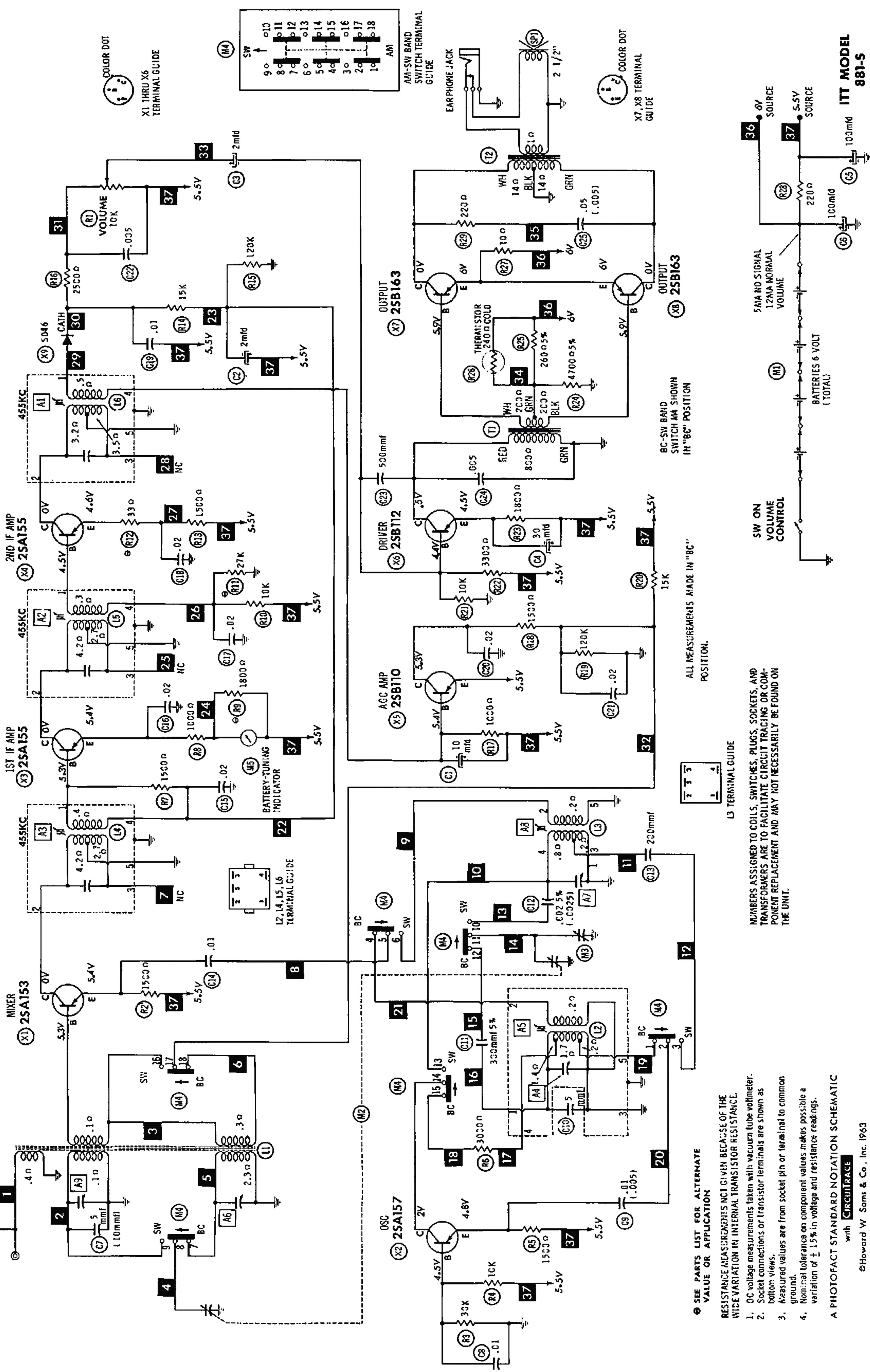


**CHASSIS TOP VIEW - RESISTOR, INDUCTOR & TRANSISTOR IDENT.**



**CHASSIS TOP VIEW-ALIGNMENT, CAPACITOR & MISC IDENT.**

EXTERNAL ANTENNA JACKS



SEE PARTS LIST FOR ALTERNATE VALUE OR APPLICATION

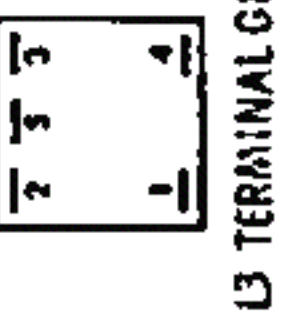
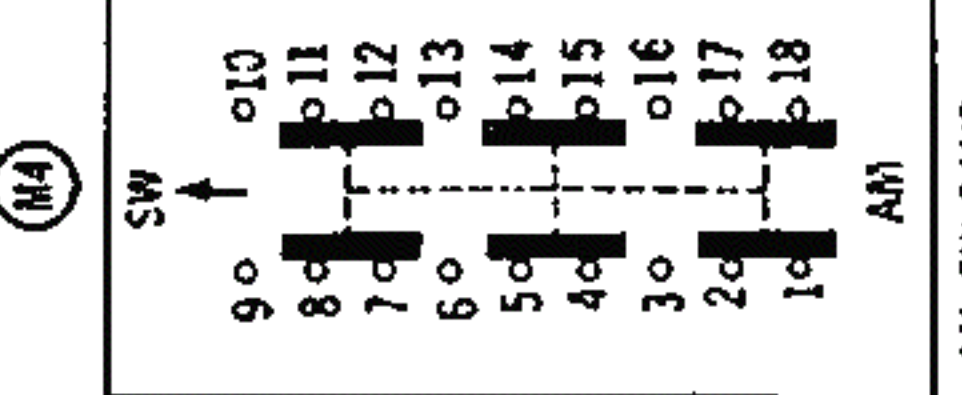
RESISTANCE MEASUREMENTS NOT GIVEN BECAUSE OF THE WIDE VARIATION IN INTERNAL TRANSISTOR RESISTANCE.

- DC voltage measurements taken with vacuum tube voltmeter.
- Socket connections or transistor terminals are shown as bottom views.
- Measured values are from socket pin or terminal to common ground.
- Nominal tolerance on component values makes possible a variation of  $\pm 1.5\%$  in voltage and resistance readings.

A PHOTOFACT STANDARD NOTATION SCHEMATIC with CIRCUITRACE

© Howard W. Sams & Co., Inc. 1963

ITT MODEL 881-S



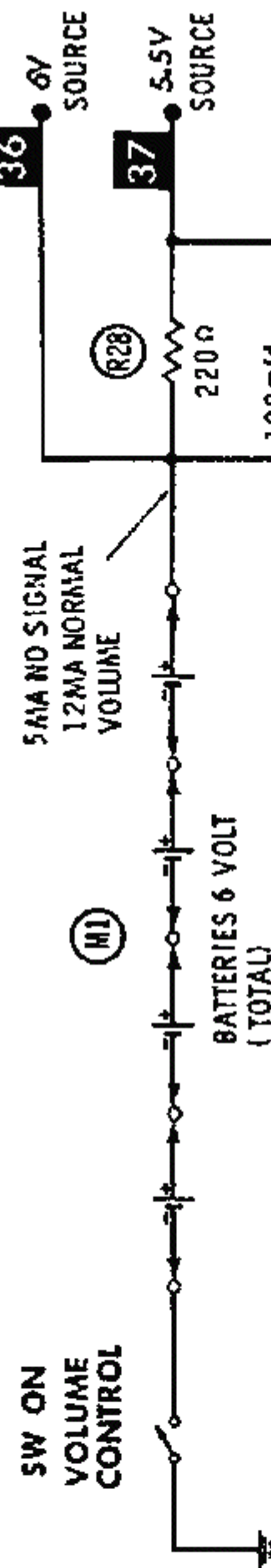
NUMBERS ASSIGNED TO COILS, SWITCHES, PLUGS, SOCKETS, AND TRANSFORMERS ARE TO FACILITATE CIRCUIT TRACING OR COMPONENT REPLACEMENT AND MAY NOT NECESSARILY BE FOUND ON THE UNIT.

ALL MEASUREMENTS MADE IN "BC" POSITION.

BC-SW BAND SWITCH A4 SHOWN IN "BC" POSITION

OUTPUT (X7) 2SB163

OUTPUT (X8) 2SB163

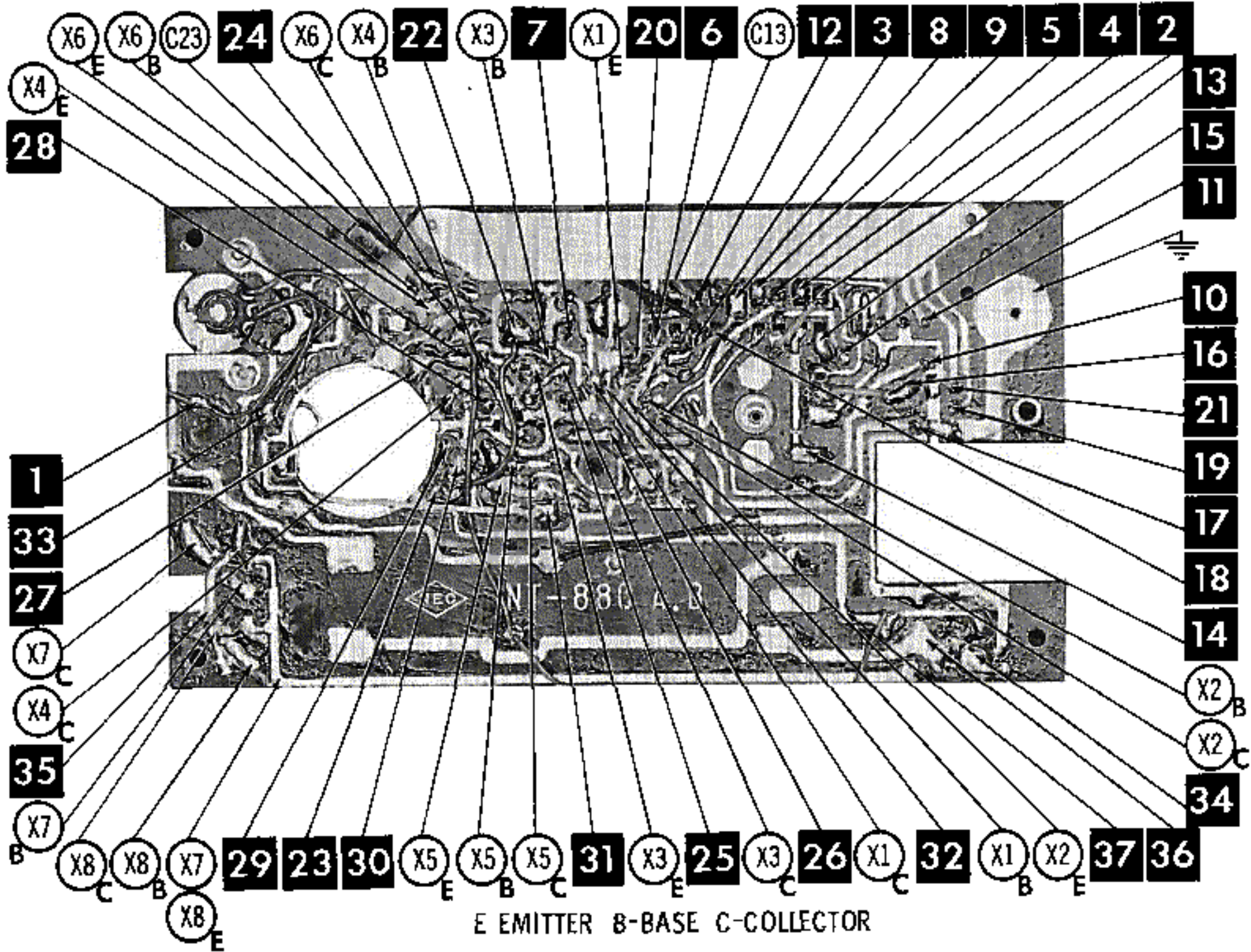


BATTERIES 6 VOLT (TOTAL)

SW ON VOLUME CONTROL

5 MA RD SIGNAL SOURCE

12 MA NORMAL VOLUME SOURCE



## TRANSISTORS

ITEM No.	ORIG. TYPE	USE	REPLACEMENT DATA			NOTES
			DELCO PART No.	GENERAL ELECTRIC PART No.	RCA PART No.	
X1	2SA153	Mixer	DS-25	GE-1		PNP
X2	2SA157	Osc.	DS-25	GE-1		PNP
X3	2SA155	1st IF Amp.	DS-25	GE-1		PNP
X4	2SA155	2nd IF Amp.	DS-25	GE-1		PNP
X5	2SB110	AGC Amp.		GE-2	2N406	PNP
X6	2SB112	Driver	DS-26	GE-2	2N406	PNP
X7	2SB163	Output	DS-26	GE-2	2N408	PNP
X8	2SB163	Output	DS-26	GE-2	2N408	PNP

## POWER RECTIFIERS &amp; SIGNAL DIODES

ITEM No.	CURRENT RATING (Measured)	ORIGINAL Part or Type No.	RECTIFIERS		DIODES	NOTES
			RCA PART No.	SARKES TARZIAN PART No.		
X9						Detector (SD46)

## ELECTROLYTIC CAPACITORS

ITEM No.	RATING		ITT PART No.	REPLACEMENT DATA					
	CAP.	VOLT.		AEROVOX* PART No.	CORNELL-DUBILIER PART No.	GENERAL ELECTRIC PART No.	MALLORY PART No.	PYRAMID PART No.	SPRAGUE PART No.
C1	10	3	52-11327	CRE207	NLW10-6	MT1-5	TT3X10		TE-1053
C2	2	12		CRE401	NLW2-50	MT1-1	TT12X2		TE-1121
C3	2	12		CRE401	ECPB402	MT1-1	TT12X2		TE-1121
C4	30	6	52-13627	BCD6025	ECPB412	MT1-10			
C5	100	6	52-21627	CRE323				MLV100-6	TE-1102
C6	100	6	52-21627	CRE323				MLV100-6	TE-1102

## FIXED CAPACITORS

ITEM No.	RATING	REMARKS	REPLACEMENT DATA					
			AEROVOX PART No.	CENTRALAB PART No.	CORNELL-DUBILIER PART No.	ELMENCO PART No.	MALLORY PART No.	SPRAGUE PART No.
C7	5	(10) †	CI-5	DTZ-4R7	C10V5C	CCD-050	GP-550	10TS-V50
C8	.01		TTD-01	CK-103	H05S1		TA-110	TG-S10
C9	.01	(.005) †	TTD-01	CK-103	H05S1		TA-110	TG-S10
C10	5		CI-5	DTZ-4R7	C10V5C	CCD-050	GP-550	10TS-V50
C11	300 5%		NPO-CI 300	TCZ-300	L10T3	CCD-301	GP-330	10TS-T30
C12	.002 5%	(.0025) †						
C13	200		CI-200	DD-201	C10T2U	CCD-201	GP-320	10TS-T20
C14	.01		TTD-01	CK-103	H05S1		TA-110	TG-S10
C15	.02		TTD-02	CK-203	H05S2		TA-120	TG-S20
C16	.02		TTD-02	CK-203	H05S2		TA-120	TG-S20
C17	.02		TTD-02	CK-203	H05S2		TA-120	TG-S20
C18	.02		TTD-02	CK-203	H05S2		TA-120	TG-S20
C19	.01		TTD-01	CK-103	H05S1		TA-110	TG-S10
C20	.02		TTD-02	CK-203	H05S2		TA-120	TG-S20
C21	.02		TTD-02	CK-203	H05S2		TA-120	TG-S20
C22	.005		TTD-005	CK-502	H05D5	CCD-502	TA-250	TG-D50
C23	500		N750-CI 500	DD-501	L10T5	CCD-501	GP-350	10TS-T50
C24	.005		TTD-005	CK-502	H05D5	CCD-502	TA-250	TG-D50
C25	.05	(.005) †	TTD-05	CK-503	H05S5			

† Alternate Value

## CONTROLS

All wattages 1/2 watt, or less, unless otherwise listed.

ITEM No.	USE	RESISTANCE	REPLACEMENT DATA				
			ITT PART No.	CENTRALAB PART No.	CLAROSTAT PART No.	CTS-IRC PART No.	MALLORY PART No.
R1	Volume & Switch	10K	12-31035	B16-216 (1)			

(1) Use Original Knob.

# DESCRIPTION

## RESISTORS (Power and Special)

ITEM No.	RATING	REPLACEMENT DATA			ITEM No.	RATING	REPLACEMENT DATA		
		IRC PART No.	WORKMAN PART No.	REMARKS			IRC PART No.	WORKMAN PART No.	REMARKS
R9 R11	1800Ω 27K			Note 1 Note 1	R12 R26	33Ω 240Ω Cold			Note 1 #D32S

Note 1. Value varies depending on transistor characteristics. Replace with original value.  
# ITT Part Number.

## COILS (RF-IF)

ITEM No.	USE	REPLACEMENT DATA					NOTES
		ITT PART No.	MERIT PART No.	MILLER PART No.	STANCOR PART No.	WORKMAN PART No.	
L1	Loopstick	31-35174					
L2	BC Osc.	31-35176					
L3	SW Osc.	31-35175					
L4	1st IF	31-35150	BC-574				
L5	2nd IF	31-35151	BC-575				
L6	3rd IF	31-35152	BC-578				

## TRANSFORMER (DRIVER)

ITEM No.	TURNS RATIO		REPLACEMENT DATA					NOTES
			ITT PART No.	MERIT PART No.	STANCOR PART No.	THORDARSON PART No.	TRIAD PART No.	
T1	PRI. 1.3	SEC. 1	31-35177					

## TRANSFORMER (AUDIO OUTPUT)

ITEM No.	IMPEDANCE		REPLACEMENT DATA					NOTES
			ITT PART No.	Merit PART No.	Stancor PART No.	Thordarson PART No.	Triad PART No.	
T2	PRI. 500Ω CT	SEC. 6-8Ω	31-35178					

## SPEAKER

ITEM No.	TYPE			REPLACEMENT DATA		NOTES
				ITT PART No.	QUAM PART No.	
SP1	SIZE 2½"	FIELD PM	V. C. IMP. 6-8Ω	01-25025		

## BATTERIES

ITEM No.	VOLTAGE	ITT PART No.	REPLACEMENT DATA			NOTES
			BURGESS	EVEREADY	MALLORY	
M1	1.5V		Z	915	M-15F	4 Used

## CABINETS & CABINET PARTS

(When Ordering, Specify Model, Chassis & Color)

### MISCELLANEOUS

ITEM No.	PART NAME	ITT PART No.	NOTES
M2	Tuning Cap.	50-35173	2 Gang
M3	Fine Tuning Cap.	50-35205	
M4	Switch	02-35172	Band
M5	Indicator	01-35180	Battery-Tuning
	Earphone	01-25088	

NAME	PART NO.
Dial Pointer	01-37786
Dial Glass	01-37750
Knob Tuning	01-37748
Knob Volume	01-37742
Knob Fine Tuning	01-37742
Cabinet Front	01-30551
Cabinet Back	01-30559

## WIRING DATA

General-use Unshielded Hook-up Wire ..... Use BELDEN No. 8530 (Solid 22AWG) Available  
8524 (Stranded 22AWG) in  
8570 (Stranded 26AWG) 12 Colors