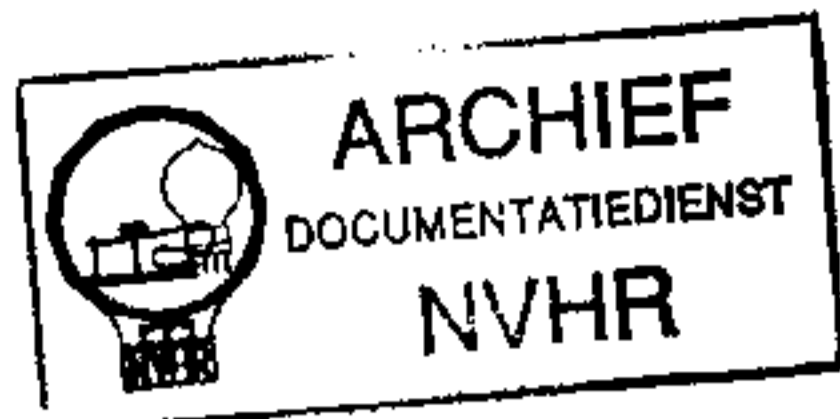


PHOTOFACT® Folder

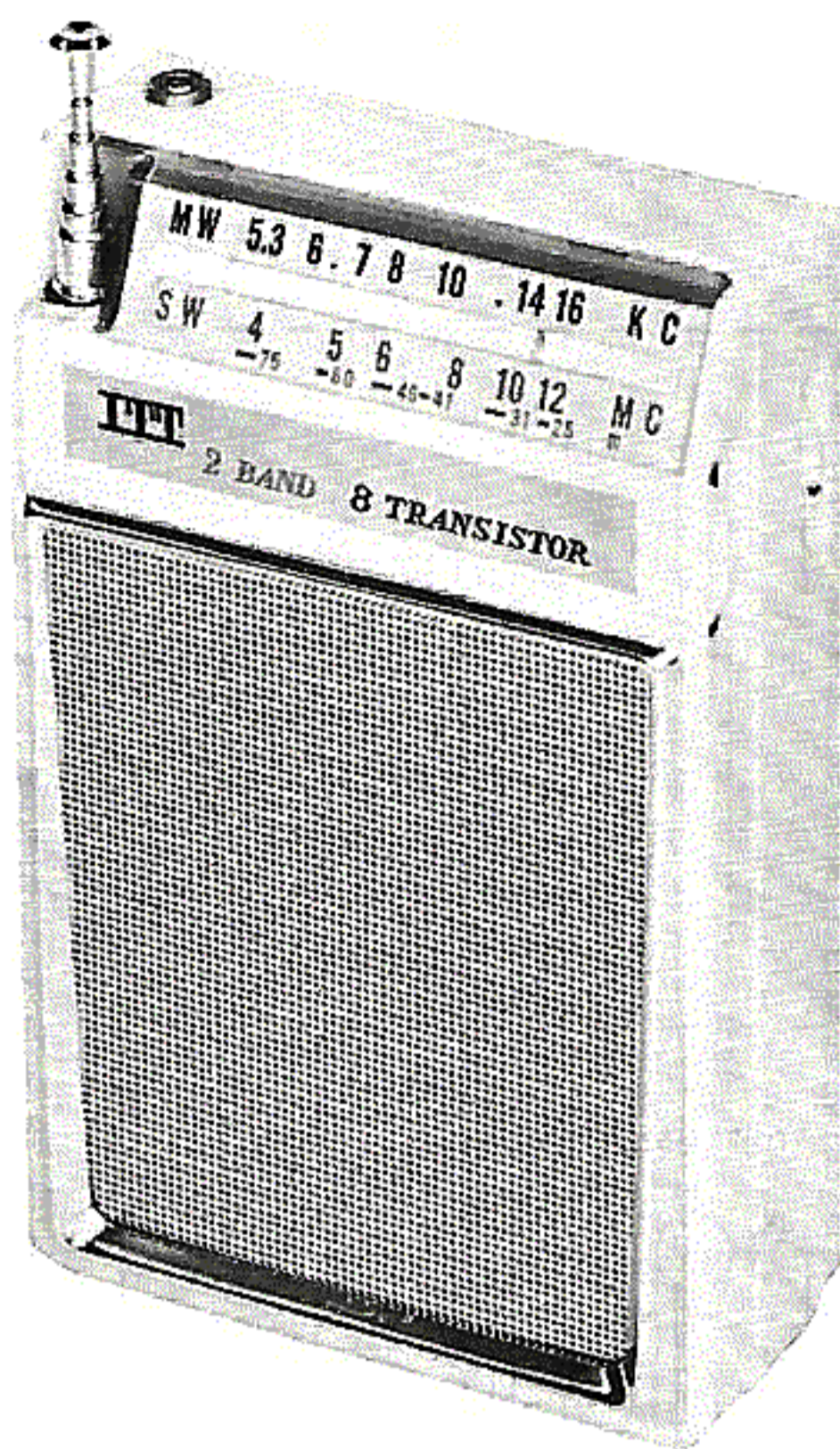
with CIRCUITRACE®

ITT
MODEL 871

Ned. Ver. v. Historie v/d Radio



Met dank aan Jef Bos



TRADE NAME	ITT Model 871		
MANUFACTURER	Distributor Products Div., International Telephone and Telegraph Corp., P.O. Box 99, Lodi, N. J.		
TYPE SET	Battery Operated 8 Transistor Portable BC-SW Receiver		
POWER SUPPLY	9 Volts DC	RATING	6MA @ 9 Volts DC (No Signal, Min. Volume)
TUNING RANGE - BROADCAST	535 - 1640KC		10MA @ 9 Volts DC (Signal, Normal Volume)
SHORT WAVE	3.9 - 12MC		

ALIGNMENT INSTRUCTIONS

Use only enough generator output to provide a usable indication.

Selector Switch as Indicated.

Suggested Alignment Tools:

A1 thru A4, A6, A7, A10... GENERAL CEMENT #9089

A5, A8, A9... GENERAL CEMENT #8282, 8606... WALSCO #2526, 2541, 2542, 2543, 2544

	SIGNAL GENERATOR COUPLING	SIGNAL GENERATOR FREQUENCY	RADIO DIAL SETTING	INDICATOR	ADJUST	REMARKS
1.	Fashion loop of several turns of wire and radiate signal into loop of receiver.	455KC (Unmod.)	(MW) Tuning gang fully open.	DC VTVM across Volume Control.	A1, A2, A3	Adjust for maximum deflection.
2.	"	1640KC	"	"	A4	"
3.	"	600KC	600KC	"	A5	Adjust for maximum deflection while rocking gang. Repeat step 2.
4.	"	1400KC	1400KC	"	A6	Adjust for maximum deflection.
5.	"	12MC	(SW) 12MC	"	A7	"
6.	"	4.5MC	4.5MC	"	A8, A9	"
7.	"	10MC	10MC	"	A10	"

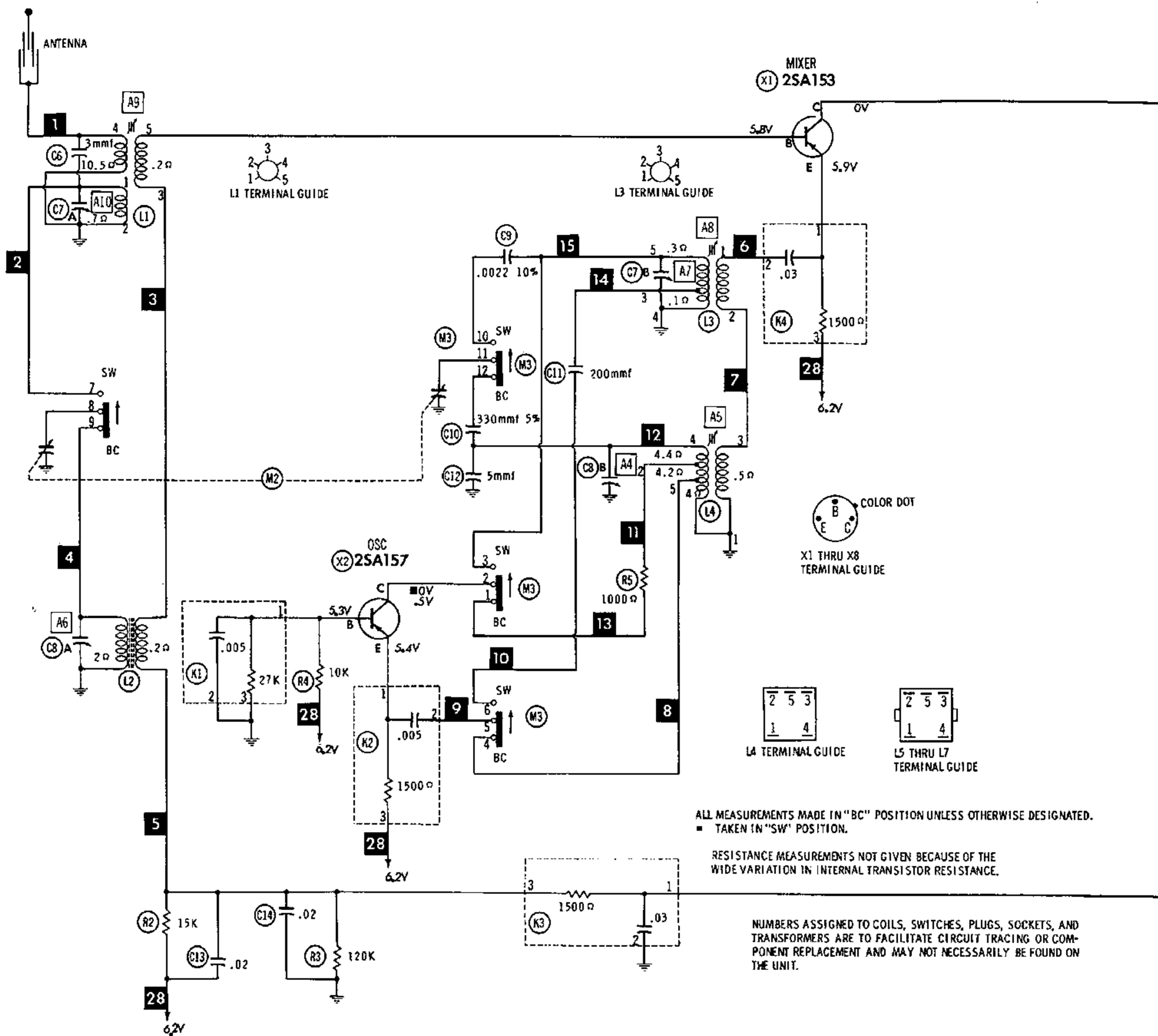
HOWARD W. SAMS & CO., INC. Indianapolis 6, Indiana

The listing of any available replacement part herein does not constitute in any case a recommendation, warranty or guaranty by Howard W. Sams & Co., Inc., as to the quality and suitability of such replacement part. The numbers of these parts have been compiled from information furnished to Howard W. Sams & Co., Inc., by the manufacturers of the particular type of replacement

part listed. Reproduction or use, without express permission, of editorial or pictorial content, in any manner, is prohibited. No patent liability is assumed with respect to the use of the information contained herein. ©1963 Howard W. Sams & Co., Inc., Indianapolis 6, Indiana.

Printed in U.S. of America

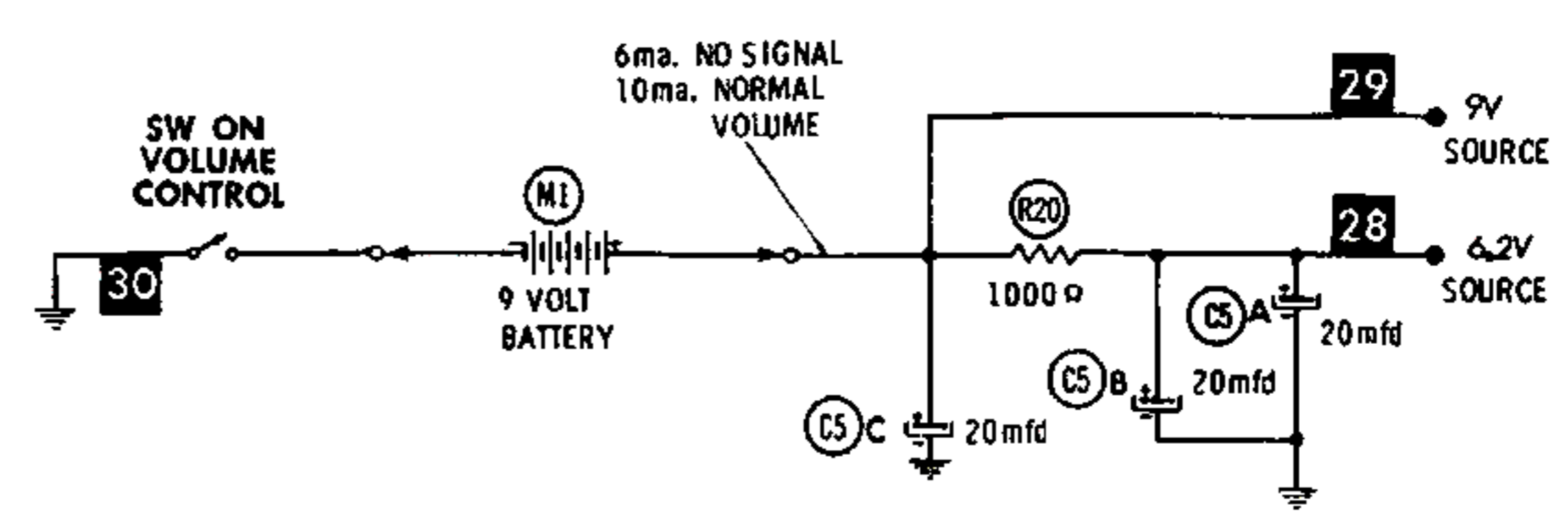
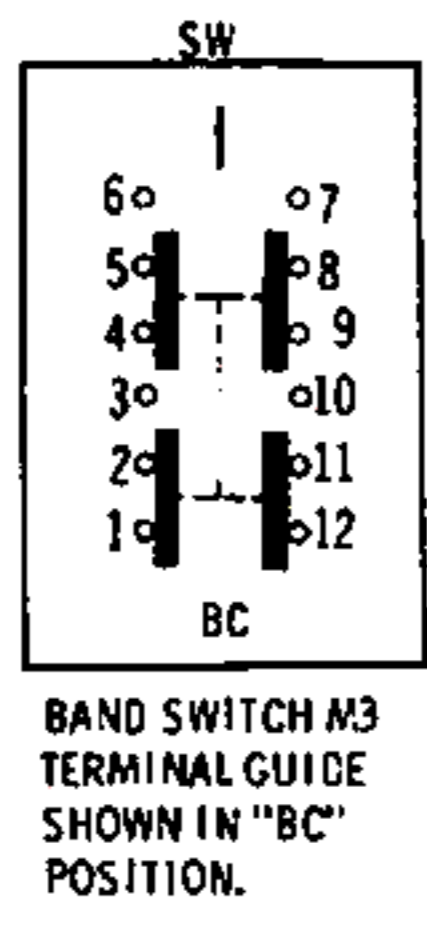
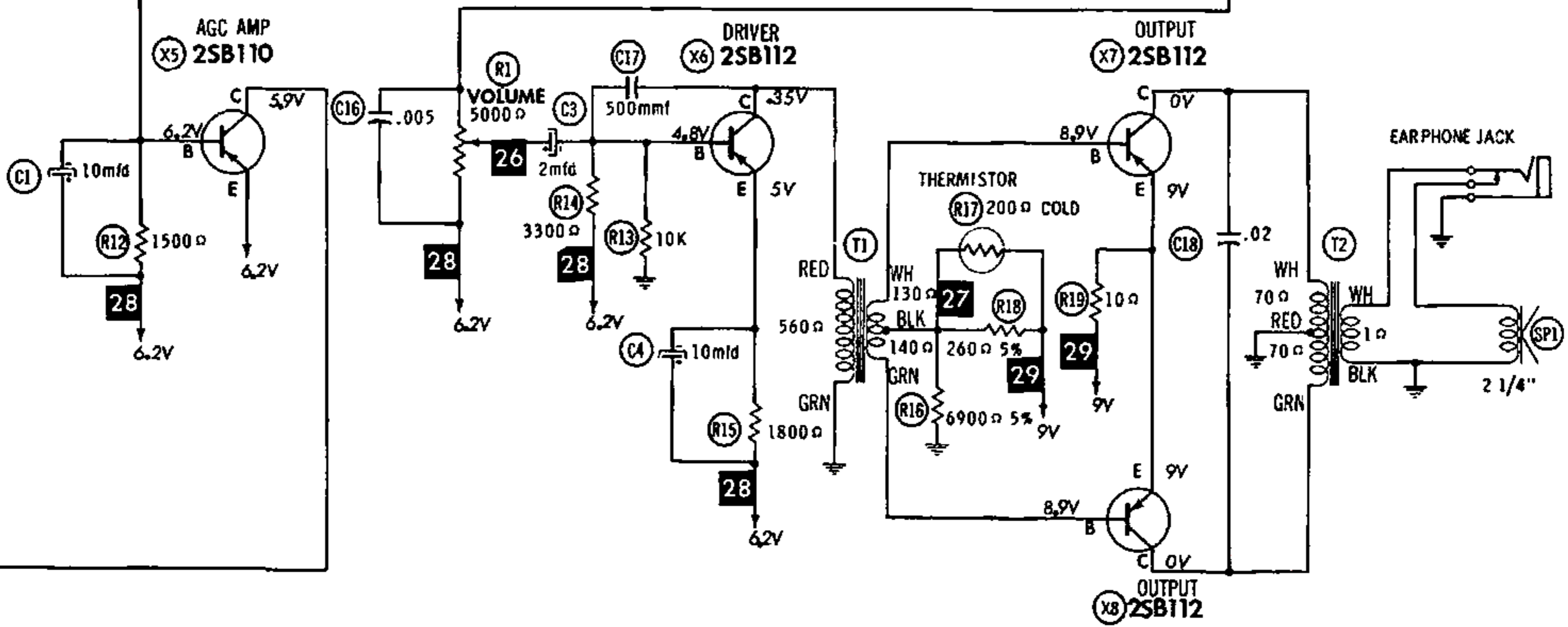
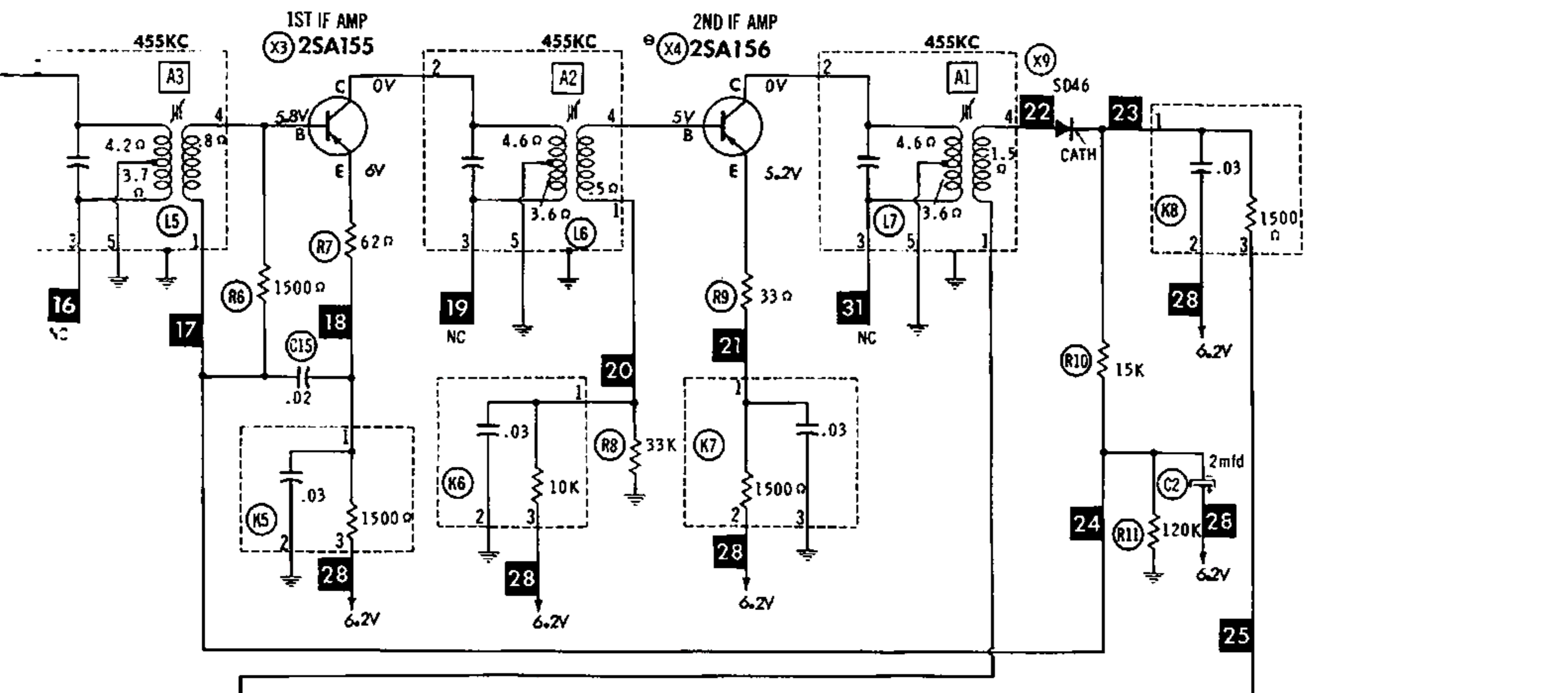
LF861

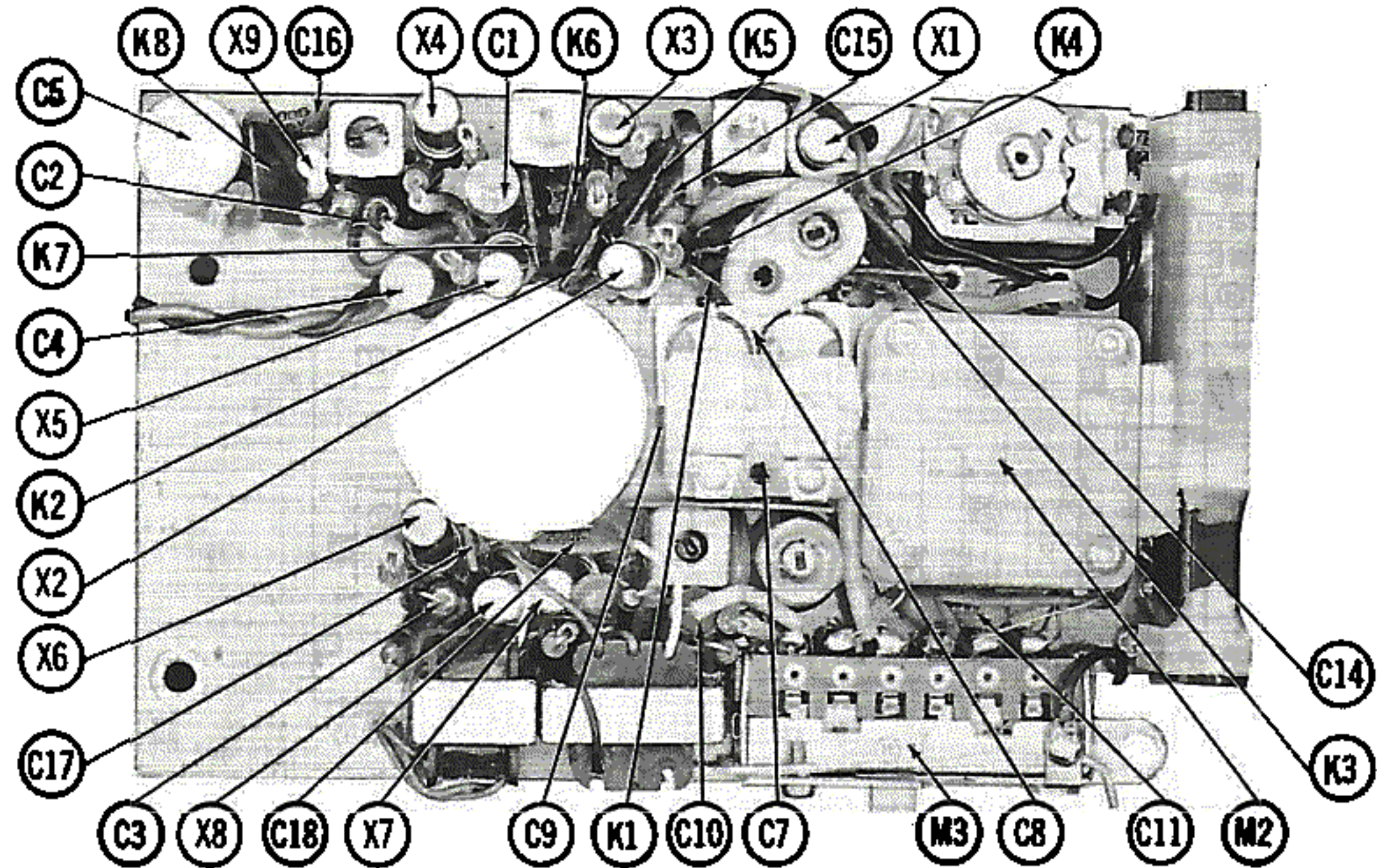


SEE PARTS LIST FOR ALTERNATE VALUE OR APPLICATION

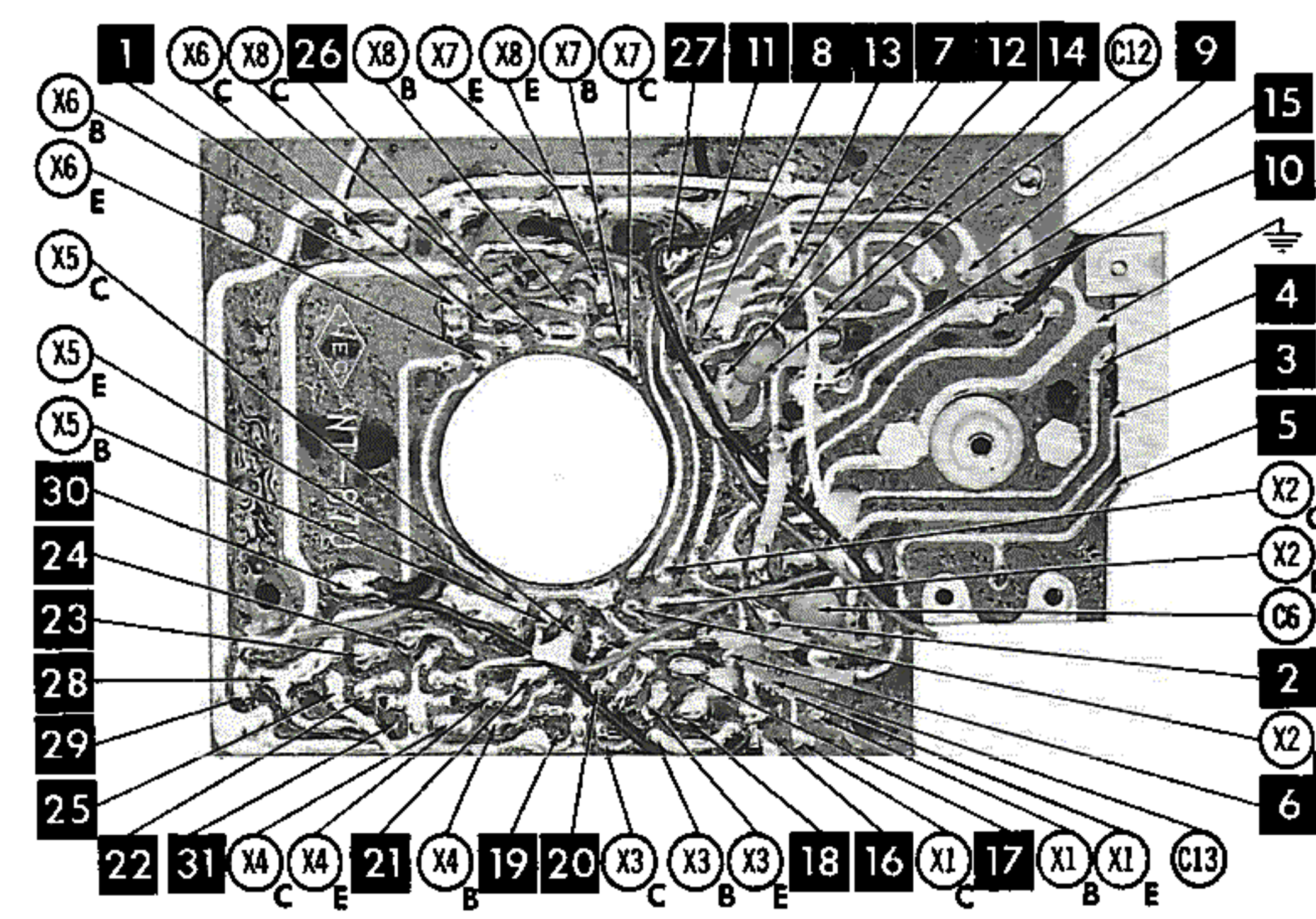
1. DC voltage measurements taken with vacuum tube voltmeter.
2. Socket connections or transistor terminals are shown as bottom views.
3. Measured values are from socket pin or terminal to common ground.
4. Nominal tolerance on component values makes possible a variation of $\pm 15\%$ in voltage and resistance readings.

A PHOTOFACIT STANDARD NOTATION SCHEMATIC with **CIRCUITRACE**





PRINTED BOARD-CAPACITOR, TRANSISTOR & MISC. IDENT.



PRINTED BOARD

TRANSISTORS

ITEM No.	ORIG. TYPE	USE	REPLACEMENT DATA			NOTES
			DELCO PART No.	GENERAL ELECTRIC PART No.	RCA PART No.	
X1	2SA153	Mixer	DS-25	GE-1		PNP
X2	2SA157	Osc.	DS-25	GE-1		PNP
X3	2SA155	1st IF Amp.	DS-25	GE-1		PNP
X4	2SA158	2nd IF Amp.	DS-25	GE-1		PNP
	2SA155*	2nd IF Amp.	DS-25	GE-1		PNP
X5	2SB110	AGC Amp.	DS-26	GE-2	2N406	PNP
X6	2SB112	Driver	DS-26	GE-2	2N406	PNP
X7	2SB112	Output	DS-26	GE-2	2N408	PNP
X8	2SB112	Output	DS-26	GE-2	2N408	PNP

* Alternate.

POWER RECTIFIERS & SIGNAL DIODES

ITEM No.	MEASURED CURRENT	ORIGINAL Part or Type No.	RECTIFIERS			NOTES
			MALLORY PART No.	RCA PART No.	SARKES TARZIAN PART No.	
X9		SD-46				Detector (SD46)

ELECTROLYTIC CAPACITORS

ITEM No.	RATING		REPLACEMENT DATA						
	CAP.	VOLT.	ITT PART No.	AEROVOX PART No.	CORNELL-DUBILIER PART No.	GENERAL ELECTRIC PART No.	MALLORY PART No.	PYRAMID PART No.	SPRAGUE PART No.
C1	10	3	52-11311	CRE207	NLW10-6				TE-1059
C2	2	12	52-02211	CRE401	NLW2-50	MT1-1			TE-1121
C3	2	12	52-02211	CRE401	NLW2-50	MT1-1			TE-1121
C4	10	3	52-11311	CRE207	NLW10-6				TE-1059
C5A	20	10	52-12011						
B	20	10							
C	20	10							

FIXED CAPACITORS

ITEM No.	RATING	REMARKS	REPLACEMENT DATA					
			AEROVOX PART No.	CENTRALAB PART No.	CORNELL-DUBILIER PART No.	ELMENCO PART No.	MALLORY PART No.	SPRAGUE PART No.
C6 C7A B C8A B	3	#50-00412 #50-01412 #50-0048 #50-0148	NPO-SI 3	DD-3R3	L10V33	CCTO-3R3	CNO-533	10TCC-V33
C9	.0022 10%			CPR-2200J		CCD-222		10TS-D22
C10	330 5%		CN-330	CPR-330J	C10T33U		CN7-333	10TCC-T33
C11	200		CI-200	DD-201	L10T2	CCD-201	GP320	10TS-T20
C12	5		CI-5	DD-050	L10V5	CCD-050	GP550	10TS-V50
C13	.02		TTD-02	CK-203	H05S2		TA-120	TG-S20
C14	.02		TTD-02	CK-203	H05S2		TA-120	TG-S20
C15	.02		TTD-02	CK-203	H05S2		TA-120	TG-S20
C16	.005		TTD-005	CK-502	H05D5	CCD-502	TA-250	TG-D50
C17	500		CI-500	DD-501	L10T5	CCD-501	GP350	10TS-T50
C18	.02		TTD-02	CK-203	H05S2		TA-120	TG-S20

ITT Part Number

DESCRIPTION

(CONTINUED)

ITEM No.	USE	RESISTANCE	ITT PART No.	CENTRALAM PART No.	REPLACEMENT DATA		
					CLAROSTAT PART No.	ETW INC PART No.	MALIBY PART No.
R1	Volume & Switch	5000Ω	12-25043				

COILS (RF-IF)

ITEM No.	USE	REPLACEMENT DATA					NOTES
		ITT PART No.	MERIT PART No.	MILLER PART No.	STANCOR PART No.	WORKMAN PART No.	
L1	SW Ant. Coil	31-35203					
L2	BC Loop Bar	31-4080					
L3	SW Osc.	31-4080					
L4	BC Osc.	31-4100					
L5	1st IF	31-3571					
L6	2nd IF	31-3572					
L7	3rd IF	31-3573					

COMPONENT COMBINATIONS

ITEM No.	USE	DESCRIPTION	ITT PART No.	REPLACEMENT DATA
K1	Osc. Base Bias	27K, .005mfd	50-40527	
K2	Osc. Emitter Bias	1500Ω, .005mfd	50-40515	
K3	AVC Filter	1500Ω, .03mfd	50-40315	
K4	Mixer Emitter Bias	1500Ω, .03mfd	50-40315	
K5	IF Emitter Bias	1500Ω, .03mfd	50-40315	
K6	IF Base Bias	10K, .03mfd	50-40310	
K7	IF Emitter Bias	1500Ω, .03mfd	50-40315	
K8	Det. RF Filter	1500Ω, .03mfd	50-40315	

TRANSFORMER (DRIVER)

ITEM No.	TURNS RATIO		REPLACEMENT DATA					NOTES
			ITT PART No.	MERIT PART No.	STANCOR PART No.	THORDARSON PART No.	TRIAD PART No.	
	PRI.	SEC.						
T1	1.5	1	31-4068					

TRANSFORMER (AUDIO OUTPUT)

ITEM No.	IMPEDANCE		REPLACEMENT DATA					NOTES
			ITT PART No.	Merit PART No.	Stancor PART No.	Thordarson PART No.	Triad PART No.	
	PRI.	SEC.						
T2	1100Ω CT	6-8Ω	31-4389					

SPEAKER

ITEM No.	TYPE			REPLACEMENT DATA		NOTES
				ITT PART No.	QUAM PART No.	
	SIZE	FIELD	V. C. IMP.			
SP1	2 1/4"	PM	8-8Ω	02-25043		

BATTERIES

ITEM No.	VOLTAGE	ITT PART No.	REPLACEMENT DATA			NOTES
			BURGESS	EVEREADY	MALLORY	
M1	9V		2U6	216	M-1604	

MISCELLANEOUS

ITEM No.	PART NAME	ITT PART No.	NOTES
M2 M3	Tuning Cap. Switch	50-00411 02-00414	2 Gang Band

CABINETS & CABINET PARTS

(When Ordering Cabinets & Cabinet Parts, Specify Model, Chassis & Color)

NAME	PART NO.	DESCRIPTION
Dial Pointer	01-37238	
Knob, Tuning	01-37875	
Knob, Volume	01-37877	
Cabinet Back	01-30715	
Cabinet Front	01-30392	

WIRING DATA

General-use Unshielded Hook-up Wire	Use BELDEN No. 8530 (Solid 22AWG)	Available
	8524 (Stranded 22AWG)	in
	8570 (Stranded 26AWG)	12 Colors

