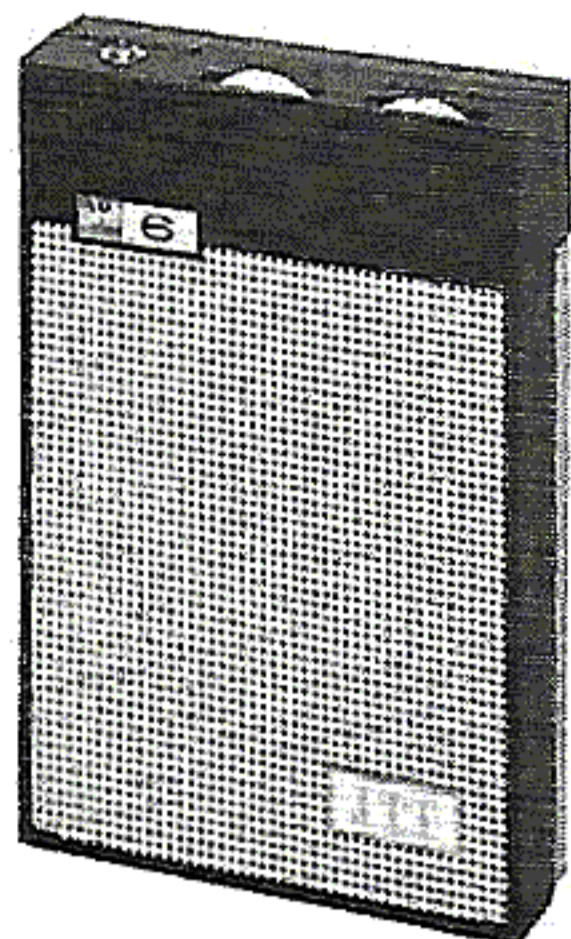




# PHOTOFACT<sup>®</sup> with

# CIRCUITRACE<sup>®</sup>



TRADE NAME: ITT Model 615  
 SUPPLIER: Distributor Products Div., ITT Corp.  
 P. O. Box 99, Lodi, N. J.  
 TYPE SET: 6 Transistor AM Receiver  
 POWER SUPPLY: 9 Volts DC  
 RATING: 7MA @ 9VDC (No Signal, Min. Volume)  
 30MA @ 9VDC (Signal, Normal Volume)  
 TUNING RANGE: BROADCAST 535 - 1620KC  
**Ned. Ver. v. Historie v/d Radio**

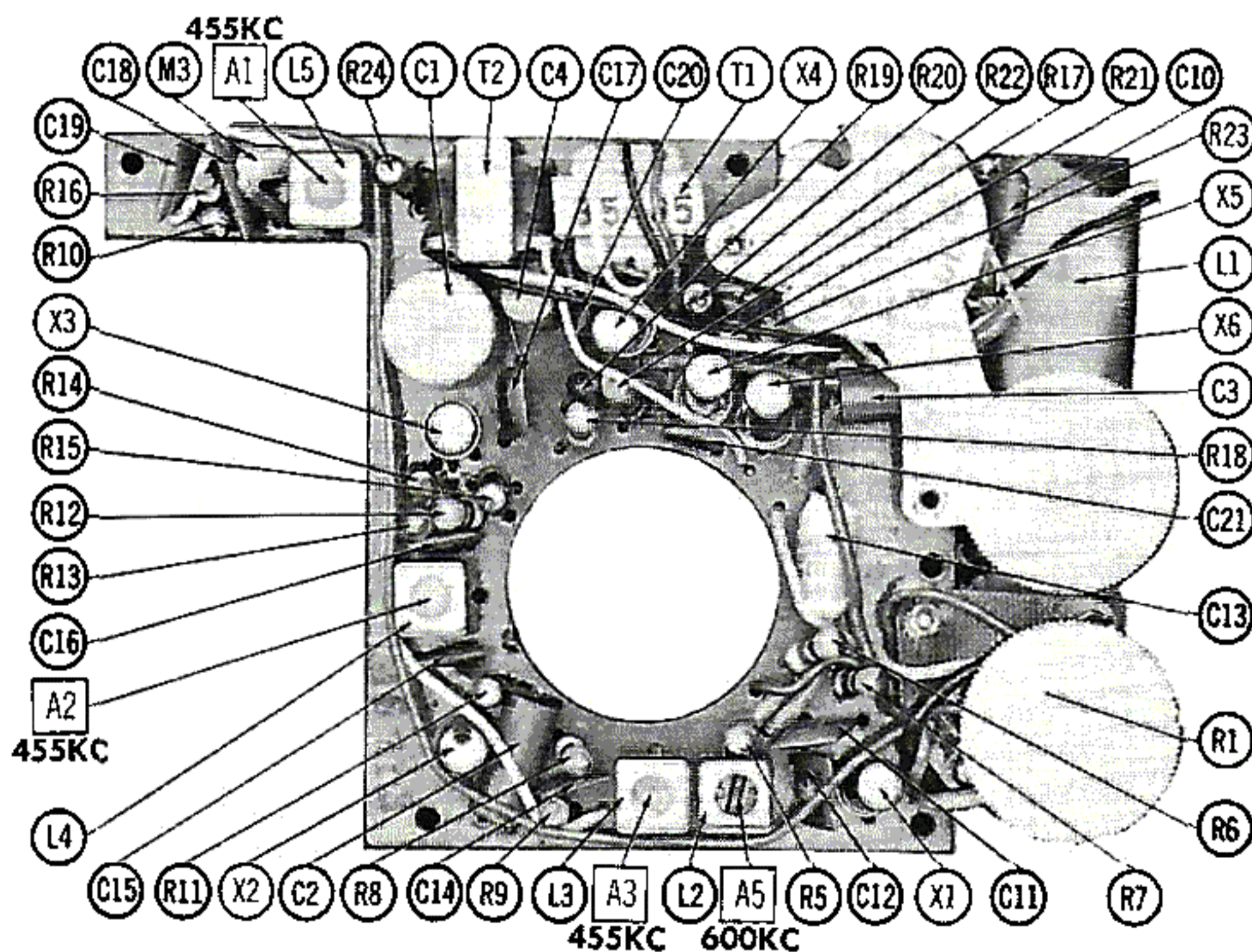


## ALIGNMENT INSTRUCTIONS

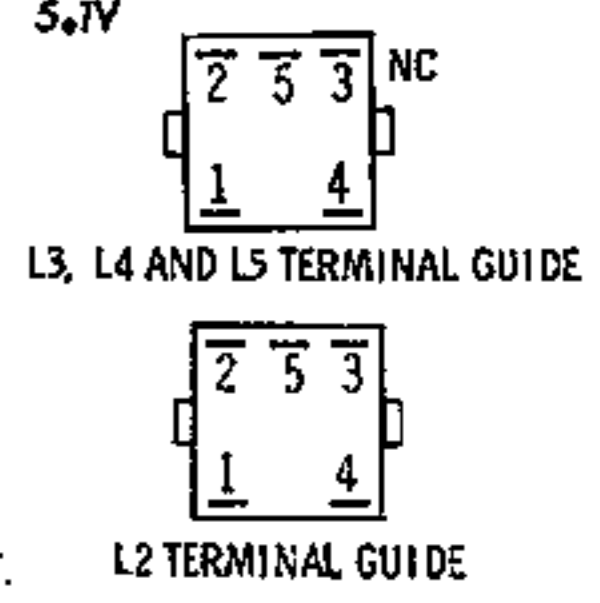
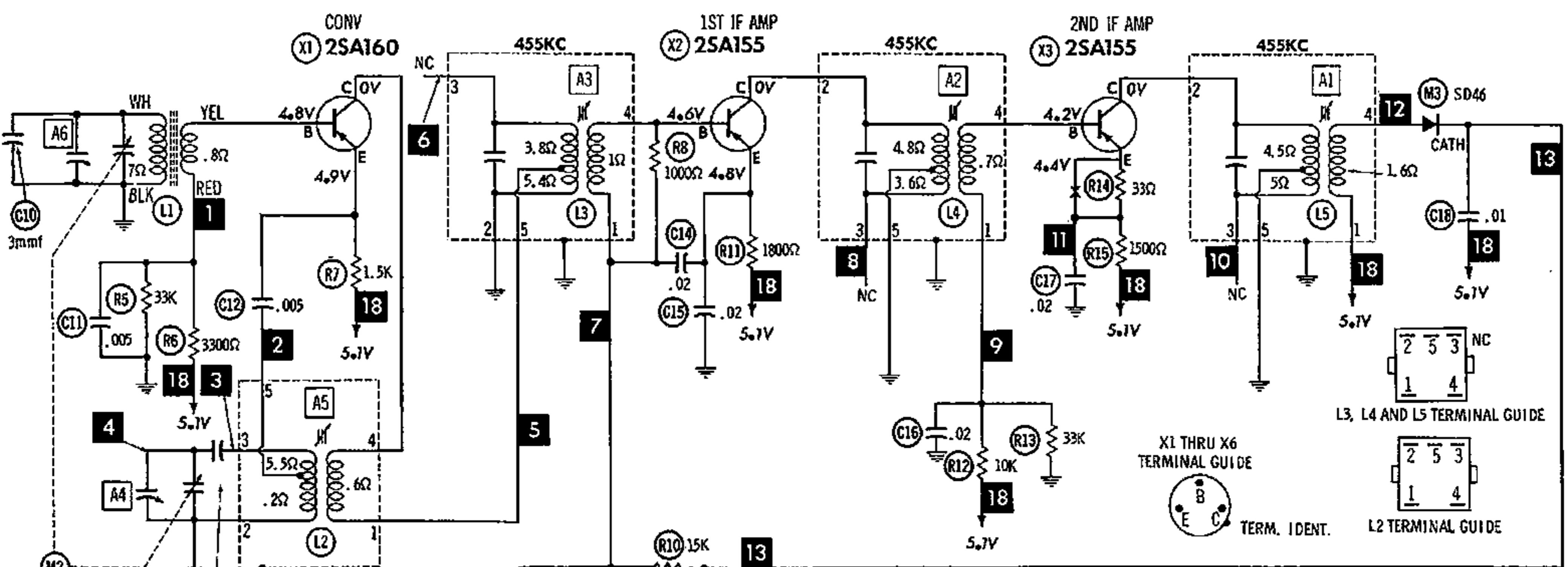
Check for specified source voltage.  
 Fashion loop of several turns of wire and connect generator across loop.  
 Adjust output of generator to radiate only enough signal into receiver to obtain a suitable indication.  
 Suggested Alignment Tools:

- A1, A2, A3, A5.....GENERAL CEMENT #5067, 8282, 8606  
 WALSCO #2526, 2543
- A4, A6.....GENERAL CEMENT #5000, 5066, 8290  
 WALSCO #2512, 2525, 2528

SIGNAL GENERATOR FREQUENCY	RADIO DIAL SETTING	INDICATOR	ADJUST	REMARKS
1. 455KC (400v Mod.)	Tuning gang fully open.	Output Meter across voice coil.	A1, A2, A3	Adjust for maximum. Repeat as required.
2. 1620KC	"	"	A4	Adjust for maximum.
3. 600KC	Tune to Signal.	"	A5	Rock tuning gang and adjust for maximum. Repeat steps 2 and 3.
4. 1400KC	"	"	A6	Adjust for maximum.

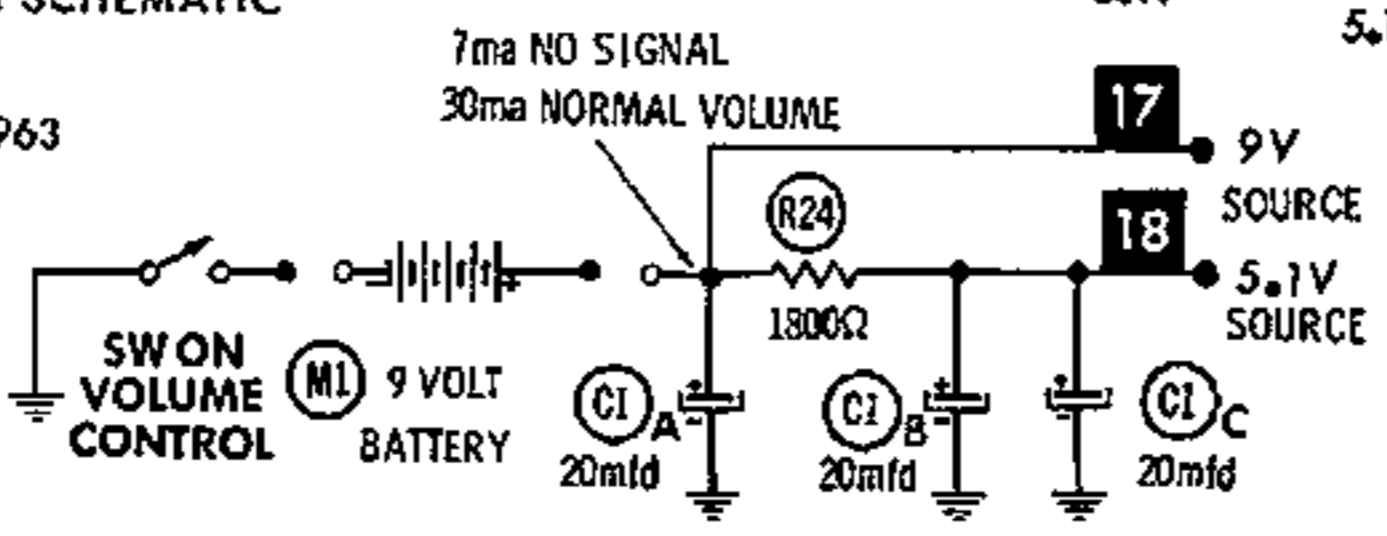
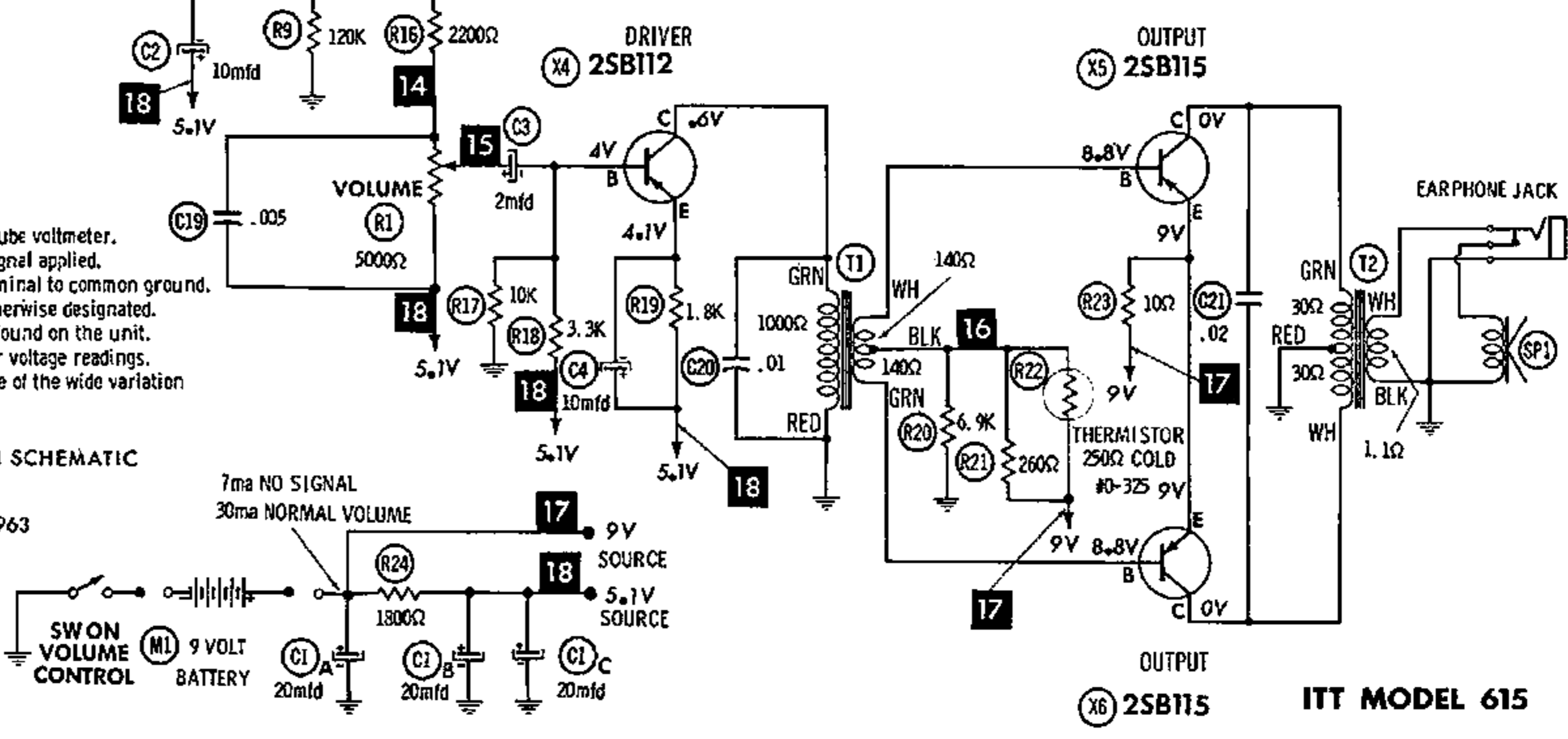




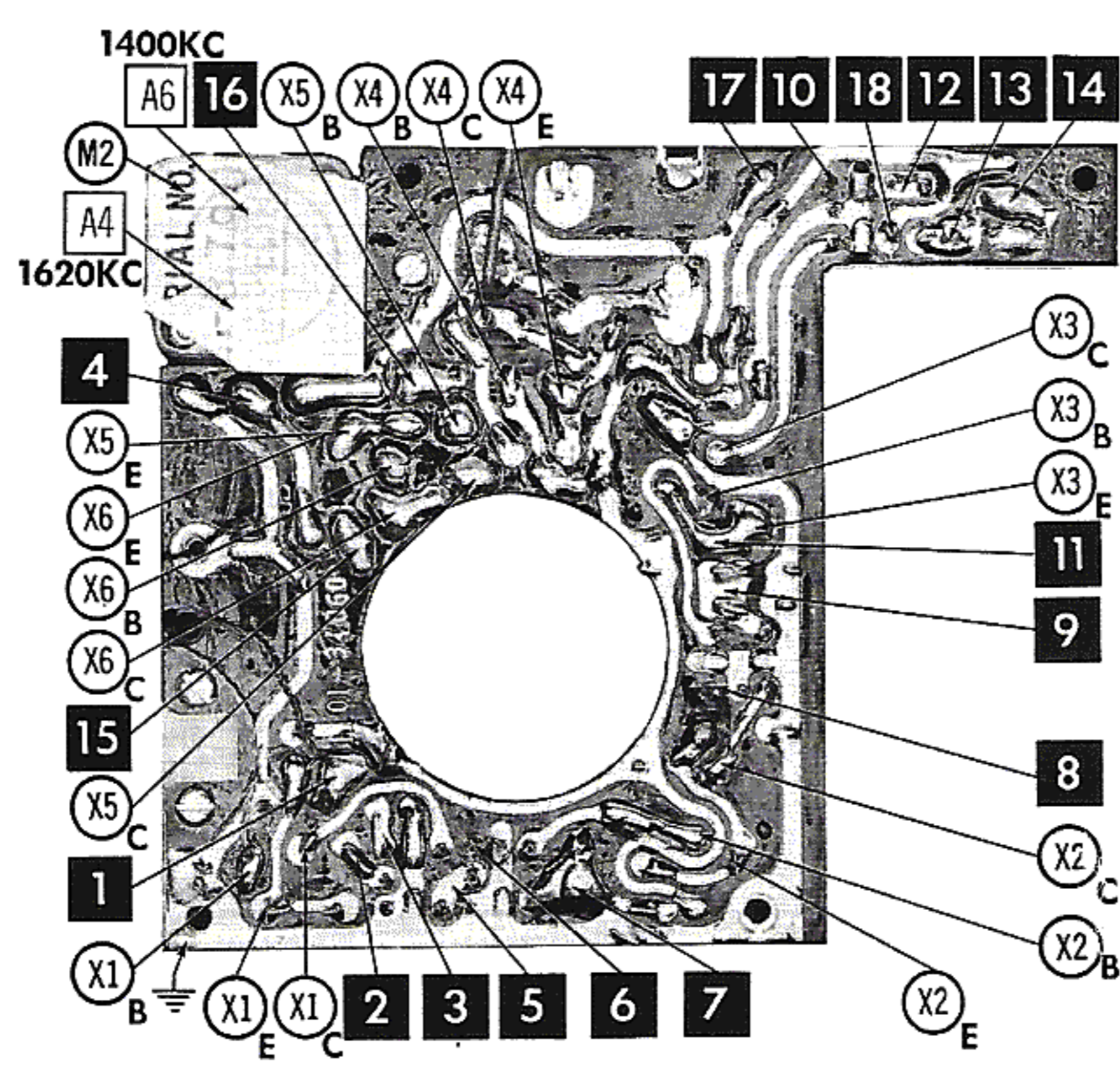


1. Voltage measurements taken with vacuum tube voltmeter.
2. All controls set for normal operation, no signal applied.
3. Measured values are from socket pin or terminal to common ground.
4. All terminals viewed from bottom unless otherwise designated.
5. Numbers assigned to terminals may not be found on the unit.
6. Supply voltage maintained at rated value for voltage readings.
7. Resistance measurements not given because of the wide variation in internal resistance of transistor.

A PHOTOFACIT STANDARD NOTATION SCHEMATIC  
with CIRCUITRACE™  
©Howard W. Sams & Co., Inc. 1963



ITT MODEL 615





## WIRING DATA

General-use Unshielded Hook-up Wire .....	Use BELDEN No. 8530 (Solid 22AWG)	Available
	8524 (Stranded 22AWG)	in
	8570 (Stranded 26AWG)	12 Colors

## TRANSISTORS

ITEM No.	ORIG. TYPE	USE	REPLACEMENT DATA			NOTES
			DELCO PART No.	GENERAL ELECTRIC PART No.	RCA PART No.	
X1	2SA160	Converter	DS-25	GE-9	2N412	PNP
X2	2SA155	1st IF Amplifier	DS-25	GE-9	2N410	PNP
X3	2SA155	2nd IF Amplifier	DS-25	GE-9	2N410	PNP
X4	2SB112	Driver			2N406	PNP
X5	2SB115	Output			2N408	PNP
X6	2SB115	Output			2N408	PNP

## ELECTROLYTIC CAPACITORS

ITEM No.	RATING		REPLACEMENT DATA						
	CAP.	VOLT.	ITT PART No.	AEROVOX PART No.	CORNELL-DUBILIER PART No.	GENERAL ELECTRIC PART No.	GENERAL INSTRUMENT PART No.	MALLORY PART No.	SPRAGUE PART No.
C1A	20	3							
B	20	3							
C	20	3							
C2	10	3		CRE207A	NLW10-3				TE-1053
C3	2	12		CRE401A	NLW2-50	MT1-1			TE-1121
C4	10	3		CRE207A	NLW10-3				TE-1053

## FIXED CAPACITORS

ITEM No.	RATING	REMARKS	REPLACEMENT DATA					
			AEROVOX PART No.	CENTRALAB PART No.	CORNELL-DUBILIER PART No.	ELMENCO PART No.	MALLORY PART No.	SPRAGUE PART No.
C10	3		NPO-SI 3.0	TCZ-3R3	C10V3C	CCTO-3R3	CNO-533	10TCC-V33
C11	.005		TTD-005	CK-502	H1		TA-250	TG-D50
C12	.005		TTD-005	CK-502	H1		TA-250	TG-D50
C13	150		SI 150	D6-151	LA10T15	CCD-151	GP315	10TS-T15
C14	.02		TTD-02	CK-203	H3		TA-120	TG-S20
C15	.02		TTD-02	CK-203	H3		TA-120	TG-S20
C16	.02		TTD-02	CK-203	H3		TA-120	TG-S20
C17	.02		TTD-02	CK-203	H3		TA-120	TG-S20
C18	.01		TTD-01	CK-103	H2		TA-110	TG-S10
C19	.005		TTD-005	CK-502	H1		TA-250	TG-D50
C20	.01		TTD-01	CK-103	H2		TA-110	TG-S10
C21	.02		TTD-02	CK-203	H3		TA-120	TG-S20

## CONTROLS

All wattages 1/2 watt, or less, unless otherwise listed.

ITEM No.	USE	RESISTANCE	REPLACEMENT DATA				
			ITT PART No.	CENTRALAB PART No.	CLAROSTAT PART No.	CTS-IRC PART No.	MALLORY PART No.
R1	Volume & Switch	5000Ω	(60, 26)				

# D DESCRIPTION

## COILS (RF-IF)

ITEM No.	USE	REPLACEMENT DATA					NOTES
		ITT PART No.	MERIT PART No.	MILLER PART No.	STANCOR PART No.	WORKMAN PART No.	
L1	Loopstick AM Osc. 1st IF 2nd IF 3rd IF			2009			
L2							
L3			BC-569	2061	RTC-9262		
L4			BC-570	2062	RTC-9263		
L5			BC-571	2063	RTC-9264		

## TRANSFORMER (DRIVER)

ITEM No.	TURNS RATIO		REPLACEMENT DATA					NOTES
			ITT PART No.	MERIT PART No.	STANCOR PART No.	THORDARSON PART No.	TRIAD PART No.	
	PRI.	SEC.						
T1	2	1						

## TRANSFORMER (AUDIO OUTPUT)

ITEM No.	IMPEDANCE		REPLACEMENT DATA					NOTES
			ITT PART No.	MERIT PART No.	STANCOR PART No.	THORDARSON PART No.	TRIAD PART No.	
	PRI.	SEC.						
T2	200Ω	6-8Ω						

## SPEAKER

ITEM No.	TYPE	REPLACEMENT DATA		NOTES
		ITT PART No.	QUAM PART No.	
SP1	1 3/4" PM 6-8Ω			

## BATTERIES

ITEM No.	VOLTAGE	ITT PART No.	REPLACEMENT DATA			NOTES
			BURGESS	EVEREADY	MALLORY	
M1	9		2U6 (or H146)	216 (or E146)	M-1604 (or MN1004, TR-146)	

## MISCELLANEOUS

ITEM No.	PART NAME	ITT PART No.	NOTES
M2 M3	Tuning Cap. Detector (SD46)		