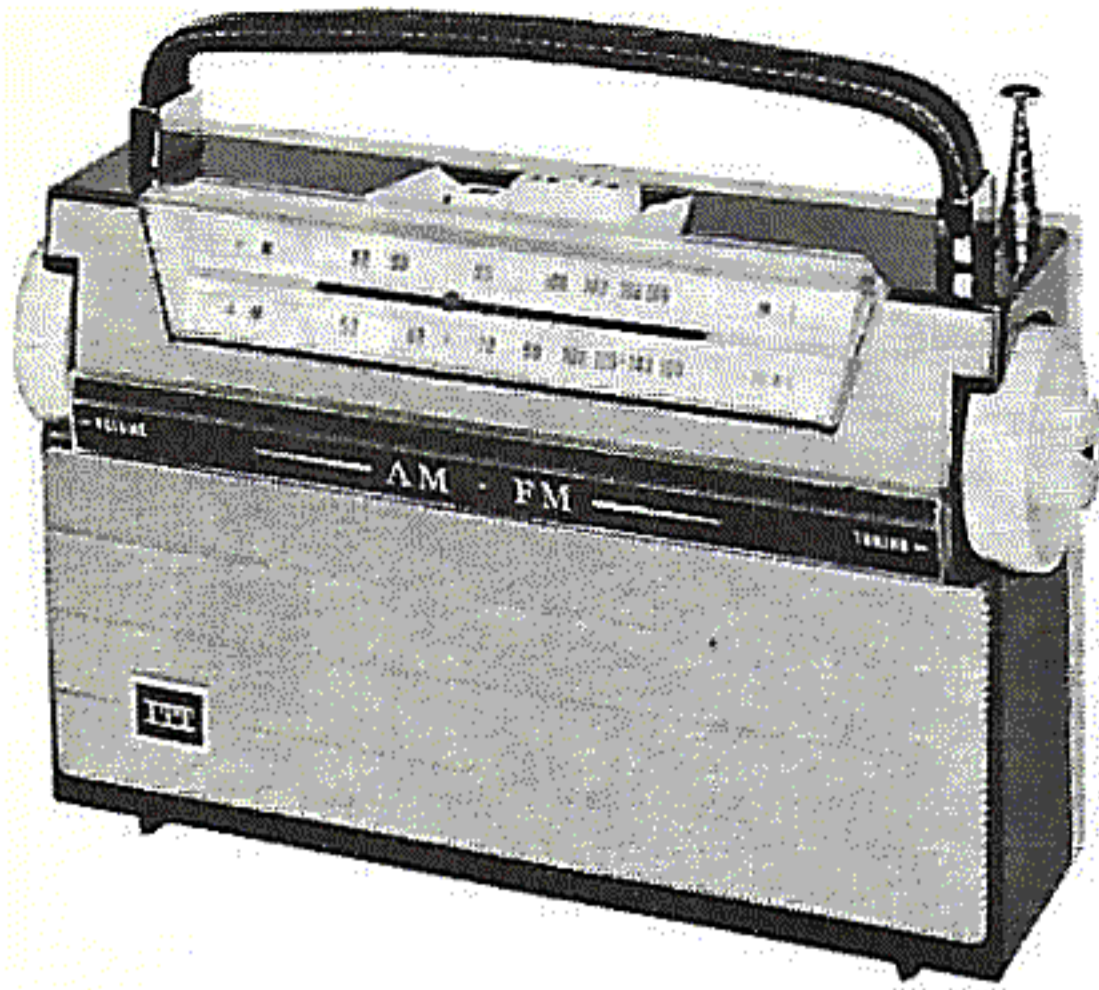




PHOTOFACT[®] with

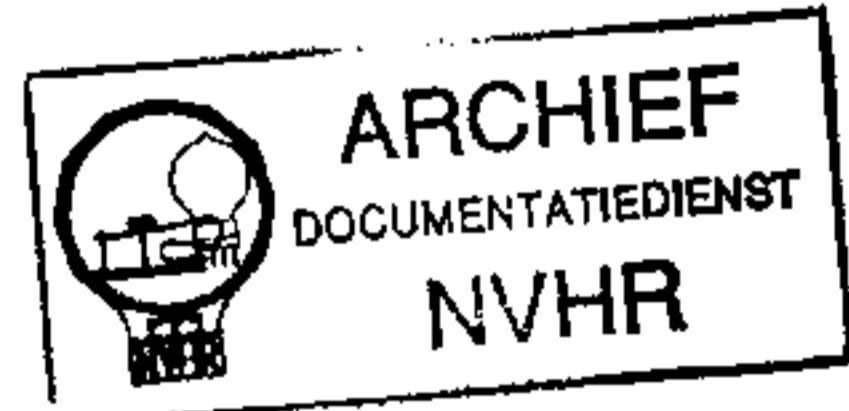
CIRCUITRACE[®]



Met dank aan Jef Bos

TRADE NAME : ITT Model 1011
SUPPLIER : Distributor Products Div., ITT Corp.,
 P. O. Box 99, Lodi, N. J.
TYPE SET : 10 Transistor AM-FM Receiver
POWER SUPPLY : 9 Volts DC
RATING : 10MA@9 VDC (No Signal, Min. Volume)
 15MA@9 VDC (Signal, Normal Volume)
TUNING RANGE : BROADCAST 535 - 1620KC
 FREQ. MOD. 88 - 108MC

Ned. Ver. v. Historie v/c



ALIGNMENT INSTRUCTIONS

Check for specified source voltage.

Fashion loop of several turns of wire and connect generator across loop.

Adjust output of generator to radiate only enough signal into receiver to obtain a suitable indication.

Suggested Alignment Tools: A1 thru A15.....GENERAL CEMENT #5000, 5066, 8290
 WALSCO #2525

FM ALIGNMENT - SELECTOR IN FM POSITION

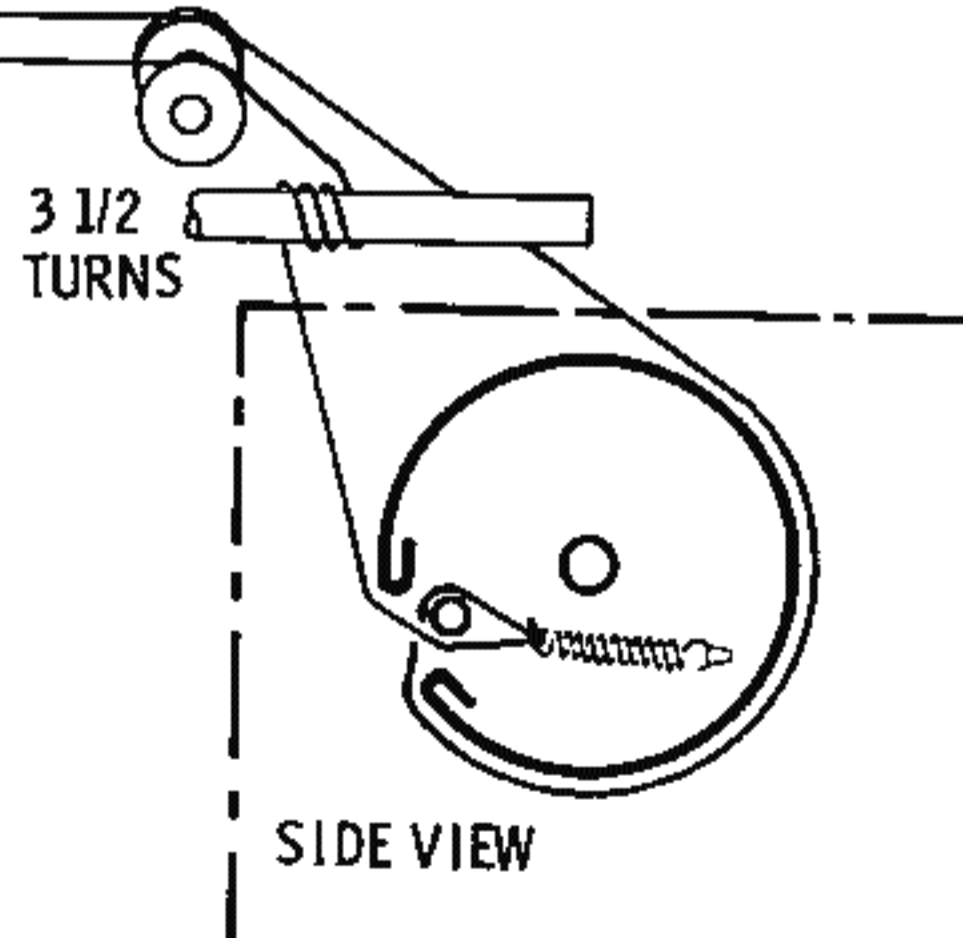
	SIGNAL GENERATOR FREQUENCY	RADIO DIAL SETTING	INDICATOR	ADJUST	REMARKS
1.	10.7MC	Tuning gang fully open.	DC probe to point $\diamond A$, common to point $\diamond B$.	A1, A2, A3, A4	Adjust for maximum.
2.	"	"	"	A5	Adjust for MINIMUM.
3.	106MC	106MC	"	A6, A7	Adjust for maximum.
4.	90MC	90MC	"	A8, A9, A10	Adjust for maximum. Repeat as required.

AM ALIGNMENT - SELECTOR IN AM POSITION

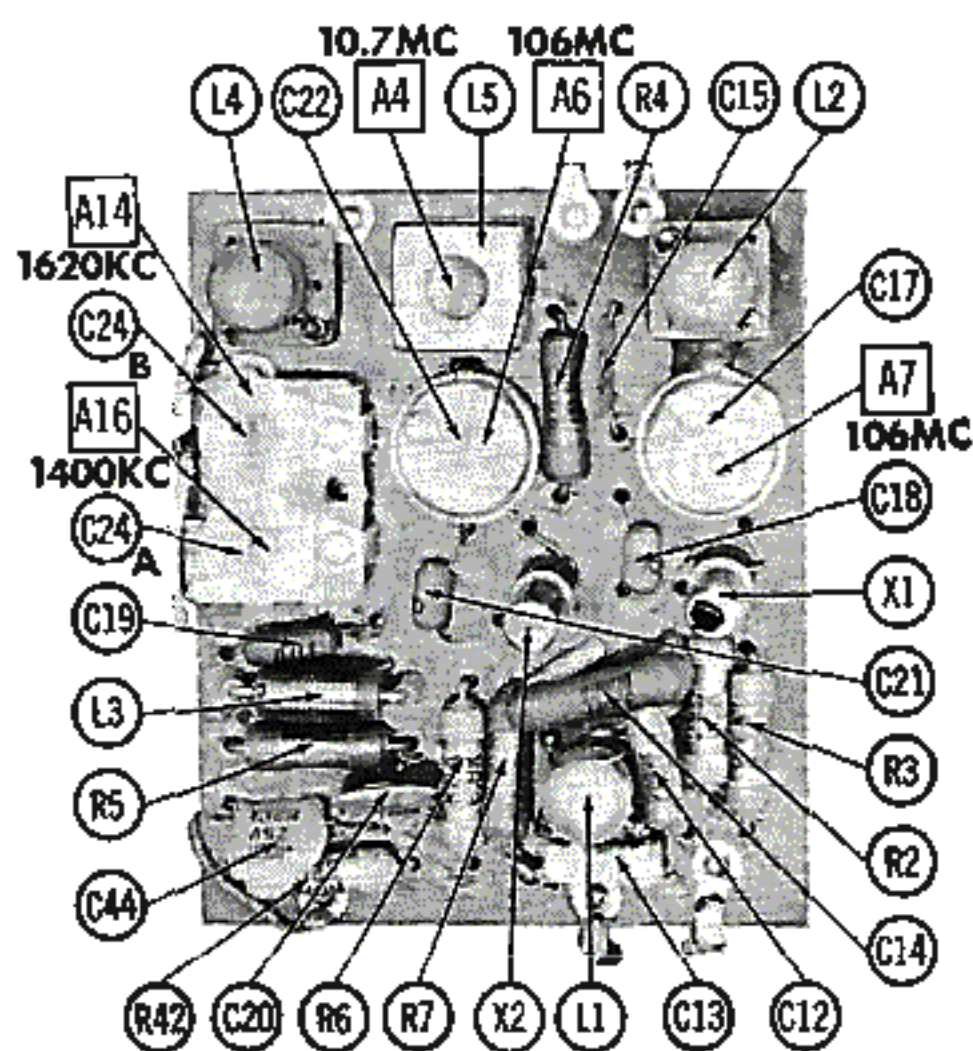
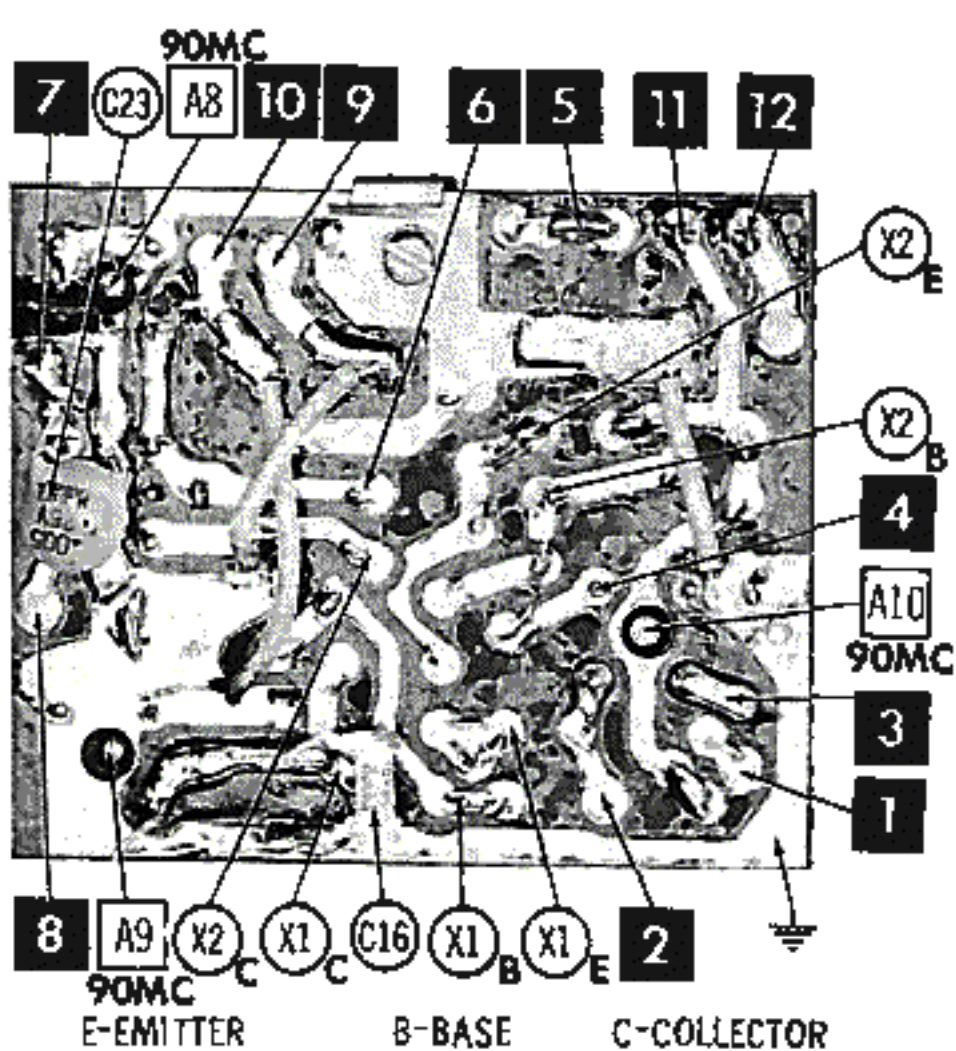
	SIGNAL GENERATOR FREQUENCY	RADIO DIAL SETTING	INDICATOR	ADJUST	REMARKS
5.	455KC (400% Mod.)	Tuning gang fully open.	Output Meter across voice coil.	A11, A12, A13	Adjust for maximum. Repeat as required.
6.	1620KC	"	"	A14	Adjust for maximum.
7.	600KC	Tune to Signal.	"	A15	Rock tuning gang and adjust for maximum. Repeat steps 6 and 7.
8.	1400KC	"	"	A16	Adjust for maximum.

DIAL CORD STRINGING

TUNING GANG CLOSED
FRONT VIEW

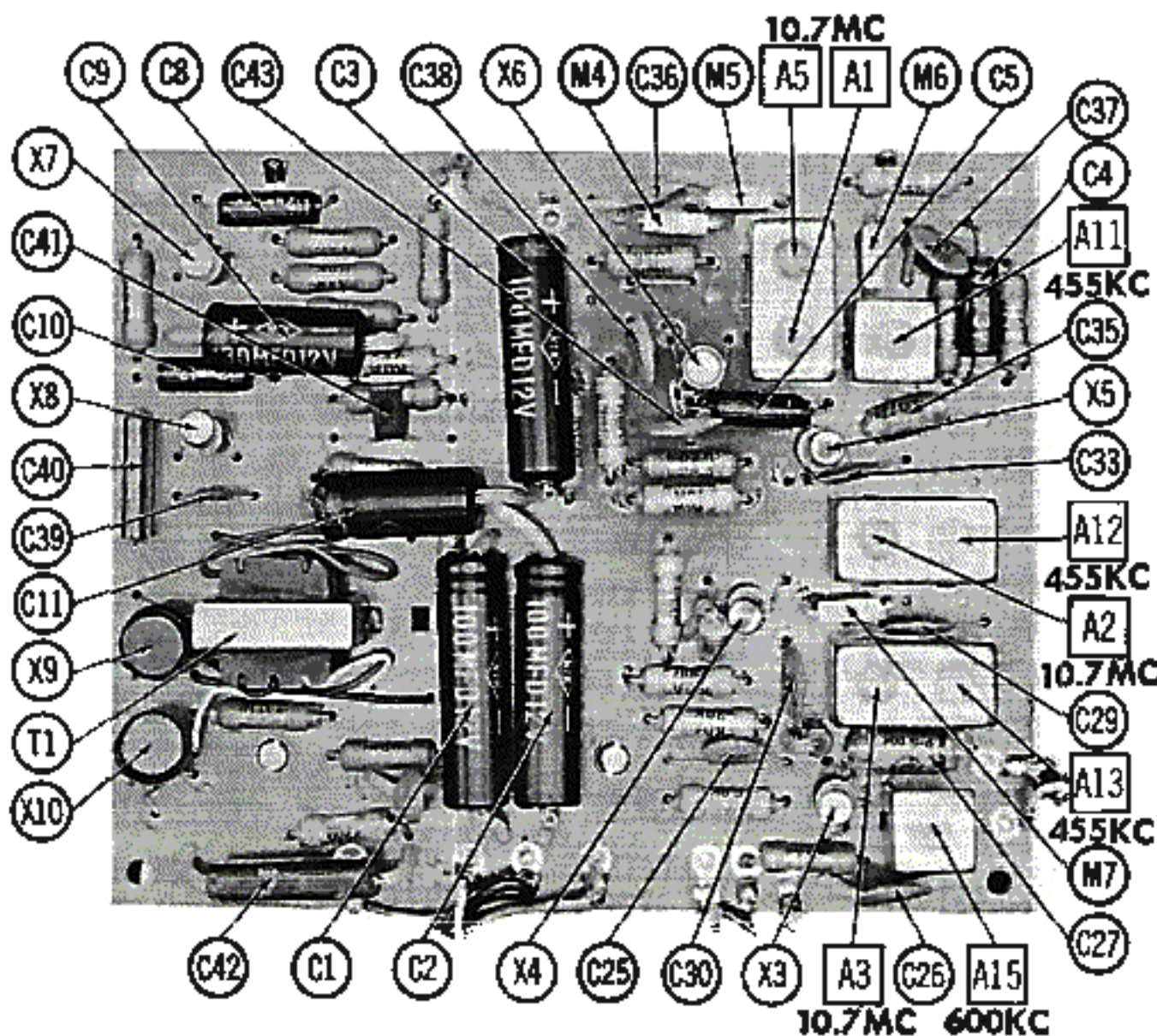


HOWARD W. SAMS & CO., INC. Indianapolis 6, Indiana

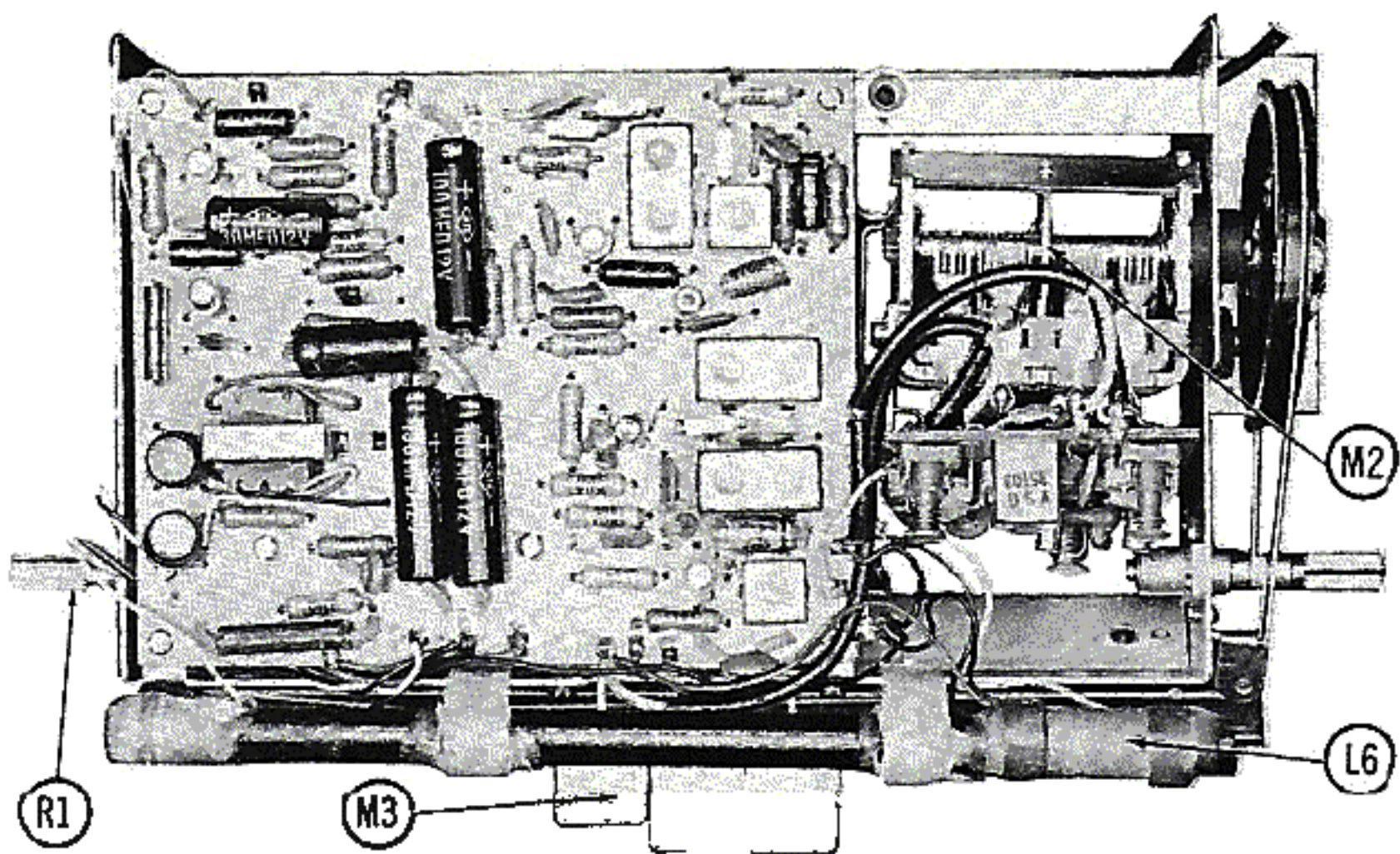


A Howard W. Sams CIRCUITRACE Photo

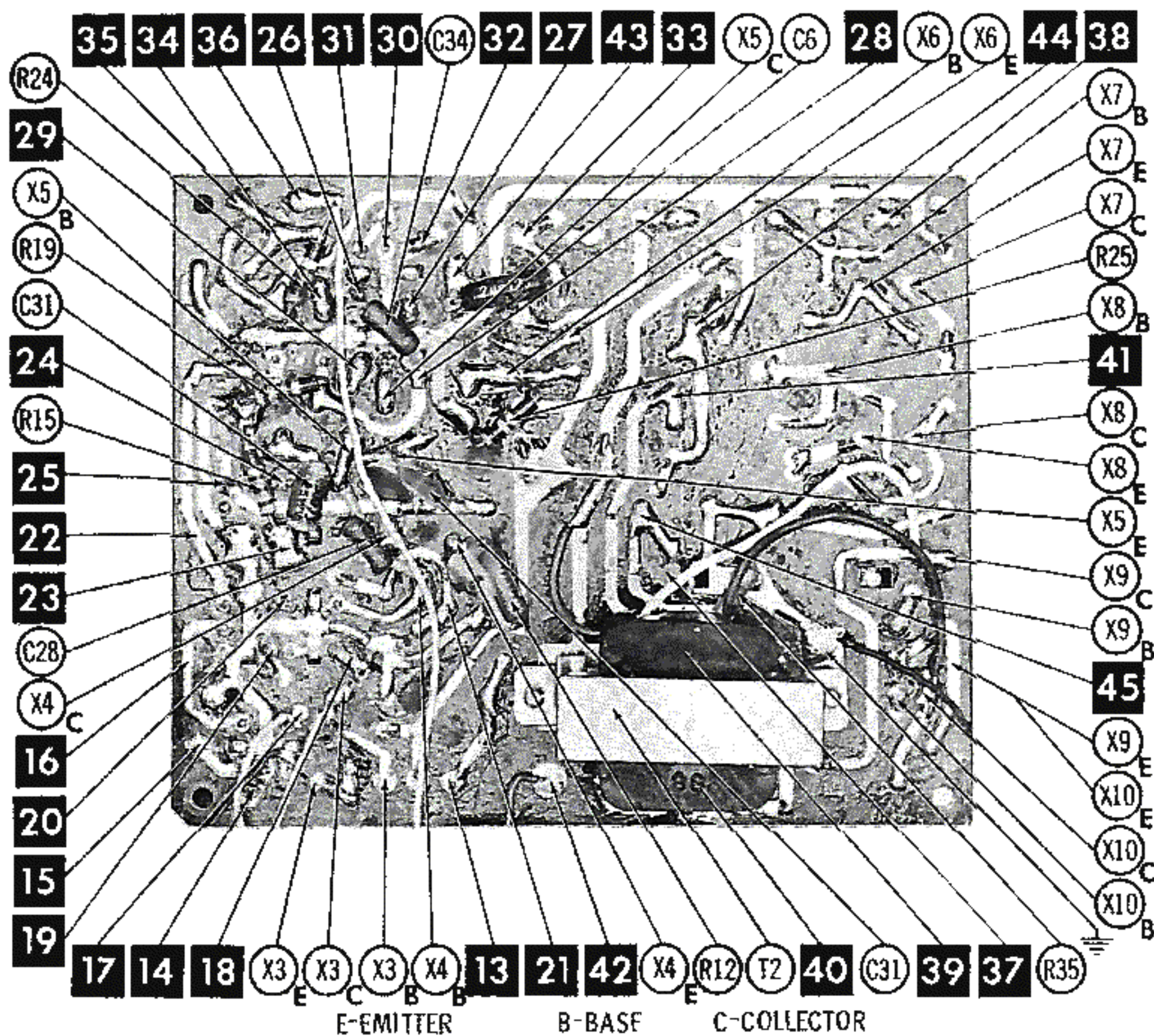
FM RF PRINTED BOARD

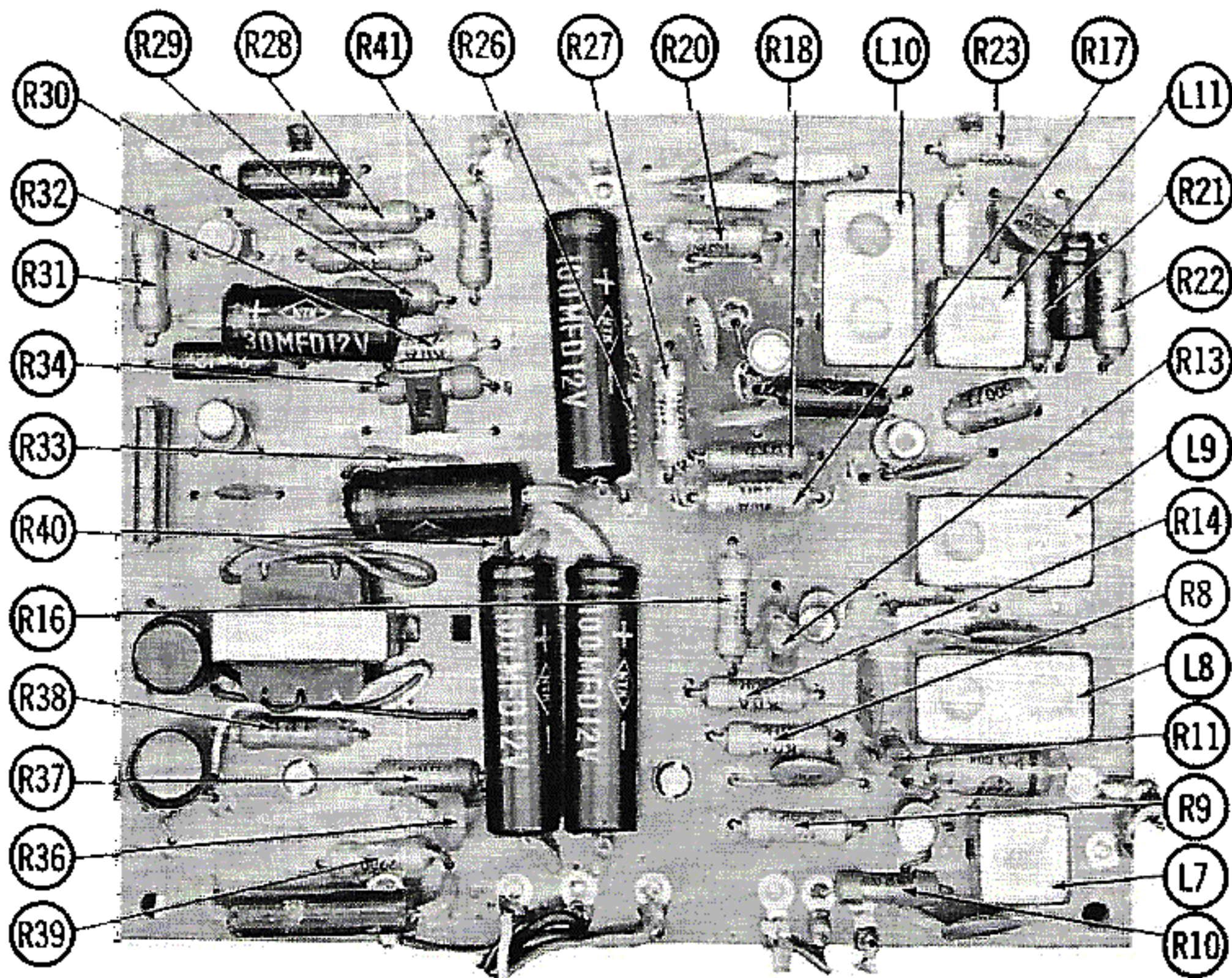


PRINTED BOARD ALIGNMENT, CAPACITOR & MISC. IDENT.



CHASSIS TOP VIEW





PRINTED BOARD —TOP VIEW

PARTS LIST AND DESCRIPTION TRANSISTORS

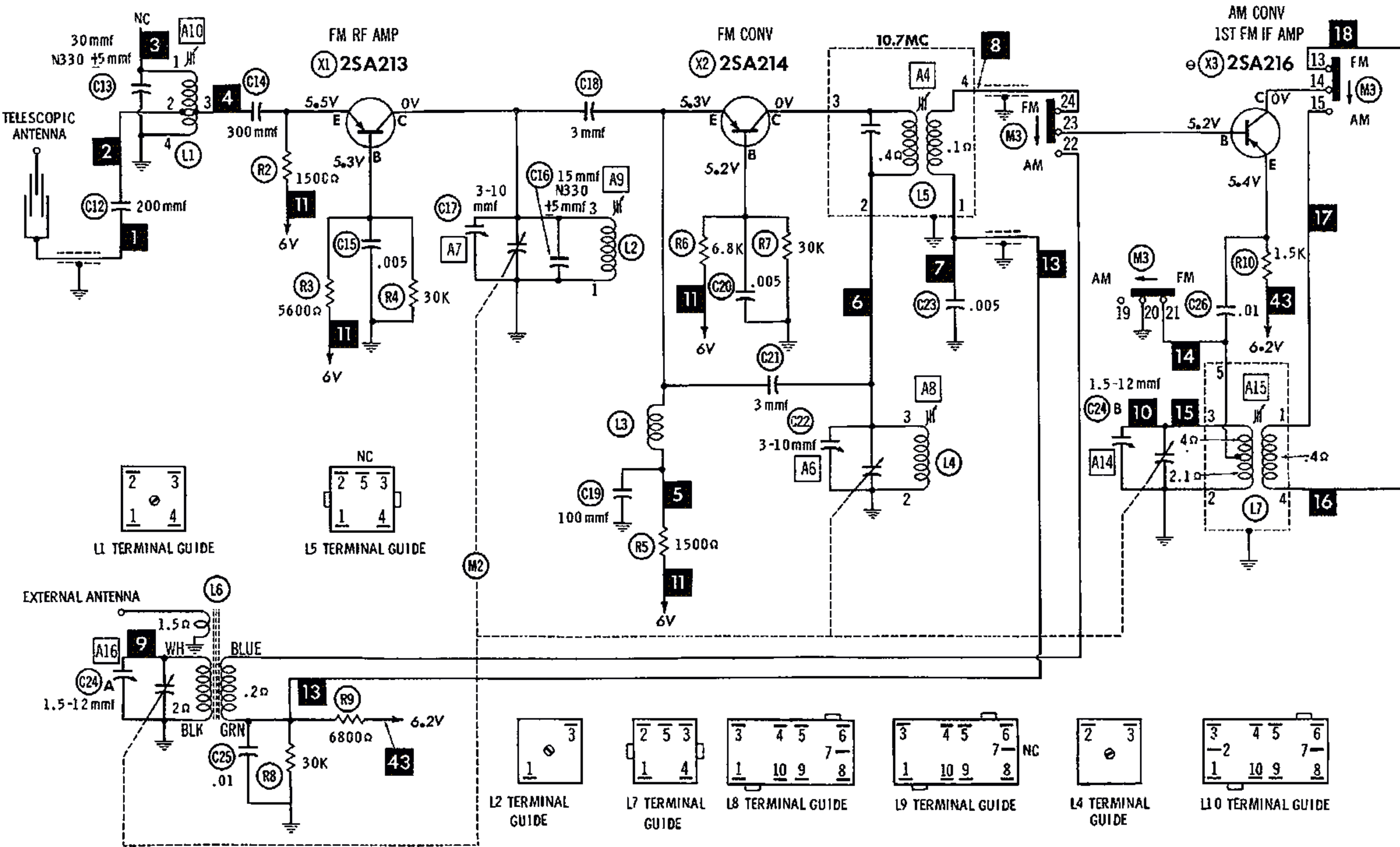
ITEM No.	ORIG. TYPE	USE	REPLACEMENT DATA			NOTES
			DELCO PART No.	GENERAL ELECTRIC PART No.	RCA PART No.	
X1	2SA213	FM RF Amplifier	DS-25	GE-1		PNP
X2	2SA214	FM Converter	DS-25	GE-1		PNP * Alternate Type 2SA115
X3	2SA216*	1st FM IF Amp. -AM Conv.	DS-25	GE-1		PNP
X4	2SA216*	2nd FM-1st AM IF Amp.	DS-25	GE-1		PNP
X5	2SA216*	3rd FM-2nd AM IF Amp.	DS-25	GE-1		PNP
X6	2SB110	FM Emitter Follower		GE-2	2N406	PNP
X7	2SB111	AF Amplifier	DS-26	GE-2	2N406	PNP
X8	2SB111	Driver	DS-26	GE-2	2N406	PNP
X9	2SB163	Output	DS-26	GE-2	2N408	PNP
X10	2SB163	Output	DS-26	GE-2	2N408	PNP

ELECTROLYTIC CAPACITORS

ITEM No.	RATING		REPLACEMENT DATA						
	CAP.	VOLT.	ITT PART No.	AEROVOX PART No.	CORNELL-DUBILIER PART No.	GENERAL ELECTRIC PART No.	GENERAL INSTRUMENT PART No.	MALLORY PART No.	SPRAGUE PART No.
C1	100	12	52-21211	PTT80	NLW100-12	MT1-19	MLV100-12	TT12X100	TE-1135
C2	100	12	52-21211	PTT80	NLW100-12	MT1-19	MLV100-12	TT12X100	TE-1135
C3	100	12	52-21211	PTT80	NLW100-12	MT1-19	MLV100-12	TT12X100	TE-1135
C4	10	3	52-11311	PTT6	NLW10-6	MT1-5	MLV10-3	TT3X10	TE-1053
C5	2	12	52-02211	PTT49	NLW2-50	MT1-1	MLV2-12	TT12X2	TE-1121
C6	2	12	52-02211	PTT49	NLW2-50	MT1-1	MLV2-12	TT12X2	TE-1121
C7	2	12	52-02211	PTT49	NLW2-50	MT1-1	MLV2-12	TT12X2	TE-1121
C8	2	12	52-02211	PTT49	NLW2-50	MT1-1	MLV2-12	TT12X2	TE-1121
C9	30	12	52-13211	PTT57	NLW30-15	MT1-10	MLV25-12	TT15X30	TE-1158
C10	2	12	52-02211	PTT49	NLW2-50	MT1-1	MLV2-12	TT12X2	TE-1121
C11	30	12	52-13211	PTT57	NLW30-15	MT1-10	MLV25-12	TT15X30	TE-1158

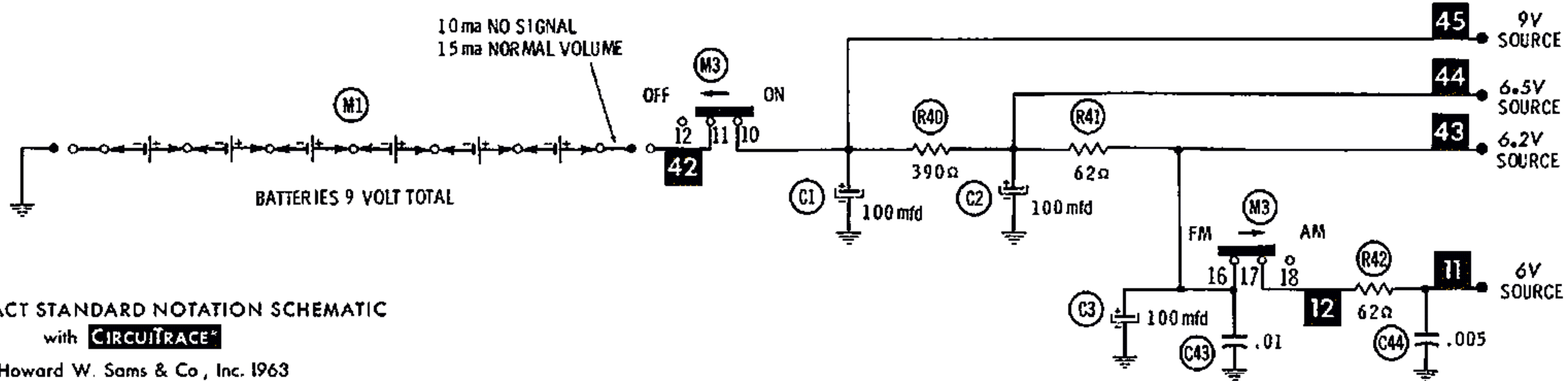
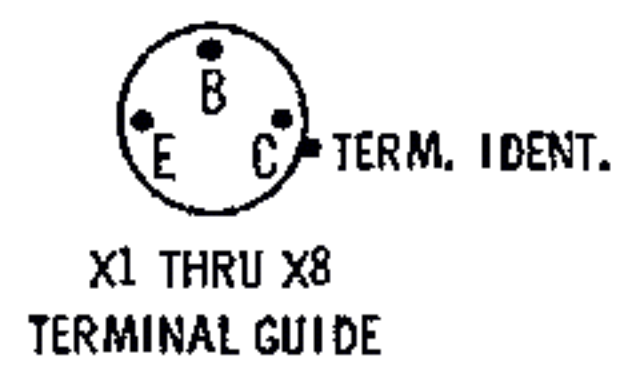
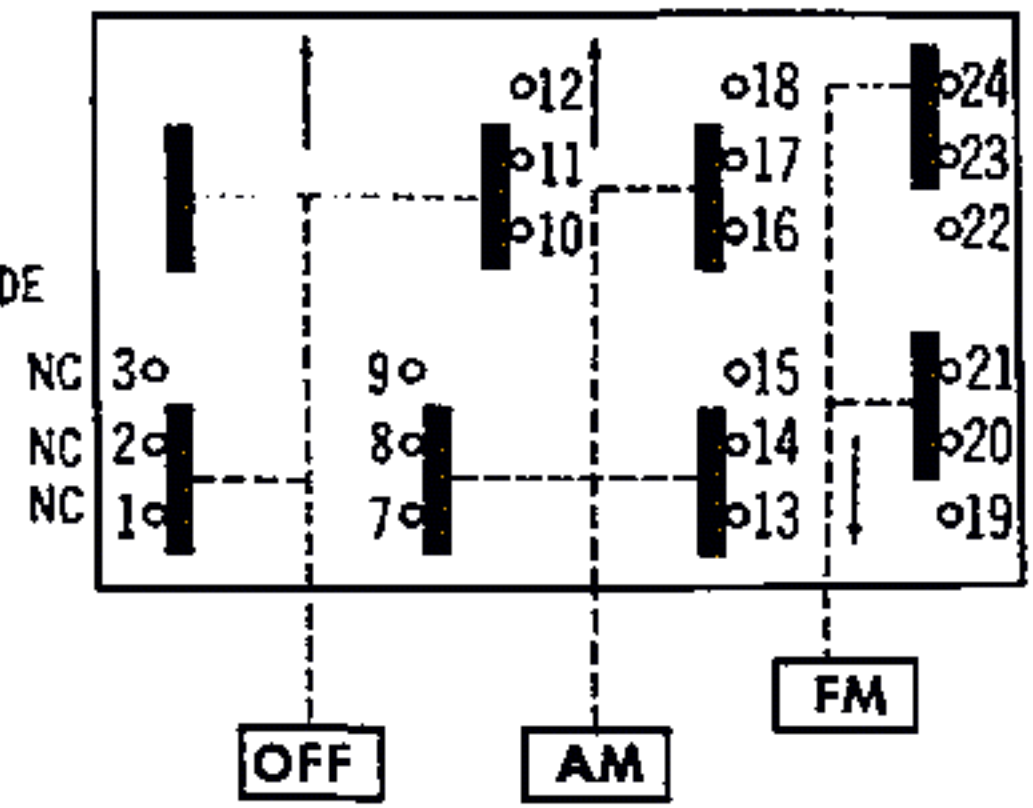
FIXED CAPACITORS

ITEM No.	RATING	REMARKS	REPLACEMENT DATA						
			AEROVOX PART No.	CENTRALAB PART No.	CORNELL-DUBILIER PART No.	ELMenco PART No.	MALLORY PART No.	SPRAGUE PART No.	
C12	200			DM-201					
C13	30 N330 +5mmf	#51-61367		DM-301					
C14	300			CK-502				TA-250	TG-D50
C15	.005			TTD-005		H05D5			
C16	15 N330 +5mmf	#51-69267							
C17	3-10	#50-35073							
C18	3			TCZ-3R3		C10V3C	CCTO-3R3	CNO-533	10TCC-V33
C19	100			DM-101					
C20	.005			TTD-005		H05D5		TA-250	TG-D50
C21	3			NPO-SI 3.0		C10V3C	CCTO-3R3	CNO-533	10TCC-V33
C22	3-10	#50-35073		TCZ-3R3					
C23	.005			TTD-005		H05D5		TA-250	TG-D50
C24A	1.5-12	#50-35008		CK-502					
B	1.5-12								
C25	.01			TTD-01		H05S1		TA-110	TG-S10



- ⊖ See parts list for alternate value or application.
1. Voltage measurements taken with vacuum tube voltmeter.
 2. All controls set for normal operation, no signal applied.
 3. Measured values are from socket pin or terminal to common ground.
 4. All terminals viewed from bottom unless otherwise designated.
 5. Numbers assigned to terminals may not be found on the unit.
 6. Supply voltage maintained at rated value for voltage readings.
 7. Resistance measurements not given because of the wide variation in internal resistance of transistor.

FUNCTION SELECTOR (M3) TERMINAL GUIDE (TOP VIEW)



PARTS LIST AND DESCRIPTION (CONTINUED)

FIXED CAPACITORS (cont)

ITEM No.	RATING	REMARKS	REPLACEMENT DATA					
			AEROVOX PART No.	CENTRALAB PART No.	CORNELL-DUBILIER PART No.	ELMENCO PART No.	MALLORY PART No.	SPRAGUE PART No.
C26	.01		TTD-01	CK-103	H05S1		TA-110	TG-S10
C27	500			DM-501				
C28	7							
C29	.01		TTD-01	CK-103	H05S1		TA-110	TG-S10
C30	.01		TTD-01	CK-103	H05S1		TA-110	TG-S10
C31	500			DM-501				
C32	.01		TTD-01	CK-103	H05S1		TA-110	TG-S10
C33	.01		TTD-01	CK-103	H05S1		TA-110	TG-S10
C34	25		NPO-SI 25	TCZ-25	C10Q25C	CCTO-250	CNO-425	10TCC-Q25
C35	500			DM-501				
C36	.005		TTD-005	CK-502	H05D5		TA-250	TG-D50
C37	.01		TTD-01	CK-103	H05S1		TA-110	TG-S10
C38	.01		TTD-01	CK-103	H05S1		TA-110	TG-S10
C39	500			DM-501				
C40	.005		TTD-005	CK-502	H05D5		TA-250	TG-D50
C41	.001			DM-102	H05D1			
C42	.05		TTD-05	CK-503	H05S5		TA-150	TG-S50
C43	.01		TTD-01	CK-103	H05S1		TA-110	TG-S10
C44	.005		TTD-005	CK-502	H05D5		TA-250	TG-D50

ITT Part Number.

CONTROLS

All wattages 1/2 watt, or less, unless otherwise listed.

ITEM No.	USE	RESISTANCE	REPLACEMENT DATA				
			ITT PART No.	CENTRALAB PART No.	CLAROSTAT PART No.	CTS-IRC PART No.	MALLORY PART No.
R1	Volume	10K	12-31035				

COILS (RF-IF)

ITEM No.	USE	REPLACEMENT DATA					NOTES
		ITT PART No.	MERIT PART No.	MILLER PART No.	STANCOR PART No.	WORKMAN PART No.	
L1	FM Ant. Coil	31-35110					
L2	FM RF Coil	31-35112					
L3	RF Choke						
L4	FM Osc.	31-35111					
L5	1st FM IF	31-35103					
L6	Loopstick	31-35108					
L7	AM Osc.	31-35116					
L8	2nd FM-1st AM IF	31-35104					
L9	3rd FM-2nd AM IF	31-35105					
L10	Ratio Det.	31-35106					
L11	3rd AM IF	31-35107					

TRANSFORMER (DRIVER)

ITEM No.	TURNS RATIO		REPLACEMENT DATA					NOTES
			ITT PART No.	MERIT PART No.	STANCOR PART No.	THORDARSON PART No.	TRIAD PART No.	
	PRI.	SEC.						
T1	1.2	1	31-35115					

TRANSFORMER (AUDIO OUTPUT)

ITEM No.	IMPEDANCE		REPLACEMENT DATA					NOTES
			ITT PART No.	MERIT PART No.	STANCOR PART No.	THORDARSON PART No.	TRIAD PART No.	
	PRI.	SEC.						
T2	800Ω CT	3-4Ω	31-35113					

SPEAKER

ITEM No.	TYPE	REPLACEMENT DATA		NOTES
		ITT PART No.	QUAM PART No.	
SP1	4" PM 3-4Ω	02-00201	4A07R	

BATTERIES

ITEM No.	VOLTAGE	ITT PART No.	REPLACEMENT DATA			NOTES
			BURGESS	EVEREADY	MALLORY	
M1	1.5V		130 (or AL-1)	35 (or E93)	M-14R (or MN1400)	6 Used

MISCELLANEOUS

ITEM No.	PART NAME	ITT PART No.	NOTES
M2	Tuning Cap.	50-35101	4 Gang Function Selector (Push Button)
M3	Switch	01-35102	
M4	Ratio Det.	SD-46	
M5	Ratio Det.	SD-46	
M6	AM Det.	SD-46	
M7	Overload	SD-46	

CABINETS & CABINET PARTS

(When Ordering Specify Model, Chassis & Color)

ITEM	PART No.	ITEM	PART No.
Pointer (Red)	01-36163	Knob, Volume	01-37559
FM Push Button	01-37564	Knob, Tuning	01-37559
AM Push Button	01-37563	Cabinet	01-30486
Off Push Button	01-37562	Cabinet Back	01-30711
Handle Assembly	01-37556		

WIRING DATA

General-use Unshielded Hook-up Wire	Use BELDEN No. 8530 (Solid 22AWG) 8524 (Stranded 22AWG) 8570 (Stranded 26AWG)	Available in 12 Colors
---	---	------------------------------