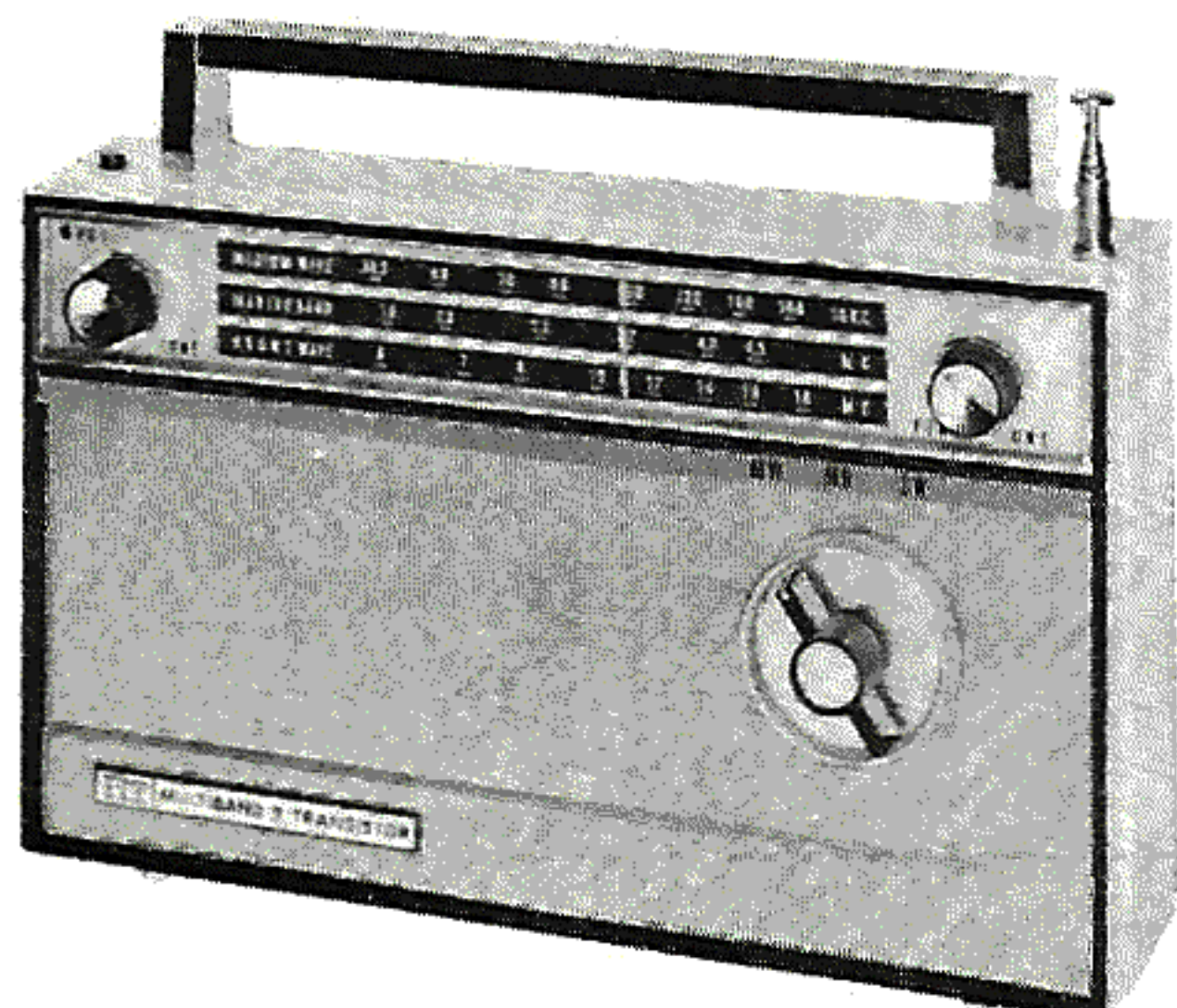




PHOTOFACT[®] with

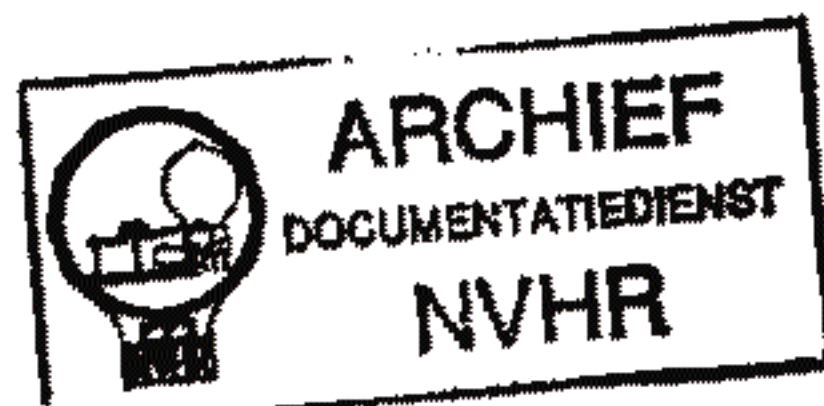
CIRCUITRACE[®]

Met dank aan Jef Bos



TRADE NAME: ITT Model 1005
 SUPPLIER: Distributor Products Div., ITT Corp.
 P. O. Box 99, Lodi, N. J.
 TYPE SET: 9 Transistor BC-Marine-SW Receiver
 POWER SUPPLY: 6 Volts DC
 RATING: 12MA@6VDC (No Signal, Min. Volume)
 20MA@6VDC (Signal, Normal Volume)
 TUNING RANGE: BROADCAST 535 - 1620KC
 MARINE 1.8 - 4.5MC
 SHORT WAVE 6 - 18MC

Ned. Ver. v. Historie v/d R



ALIGNMENT INSTRUCTIONS

Check for specified source voltage.
 Fashion loop of several turns of wire and connect generator across loop.
 Adjust output of generator to radiate only enough signal into receiver to obtain a suitable indication.
 Suggested Alignment Tools:
 A1 thru A8, A10, A11, A13...GENERAL CEMENT #5000, 5066, 8290.... WALSCO #2512, 2525, 2528
 A9, A12.....GENERAL CEMENT #8282, 8608..... WALSCO #2526, 2543

BROADCAST ALIGNMENT - SELECTOR IN MW POSITION

	SIGNAL GENERATOR FREQUENCY	RADIO DIAL SETTING	INDICATOR	ADJUST	REMARKS
1.	455KC (400% Mod.)	Tuning gang fully open.	Output Meter across voice coil.	A1, A2, A3, A4	Adjust for maximum. Repeat as required.
2.	1620KC	"	"	A5	Adjust for maximum.
3.	600KC	Tune to Signal.	"	A6	Rock tuning gang and adjust for maximum. Repeat steps 2 and 3.
4.	1400KC	"	"	A7	Adjust for maximum.

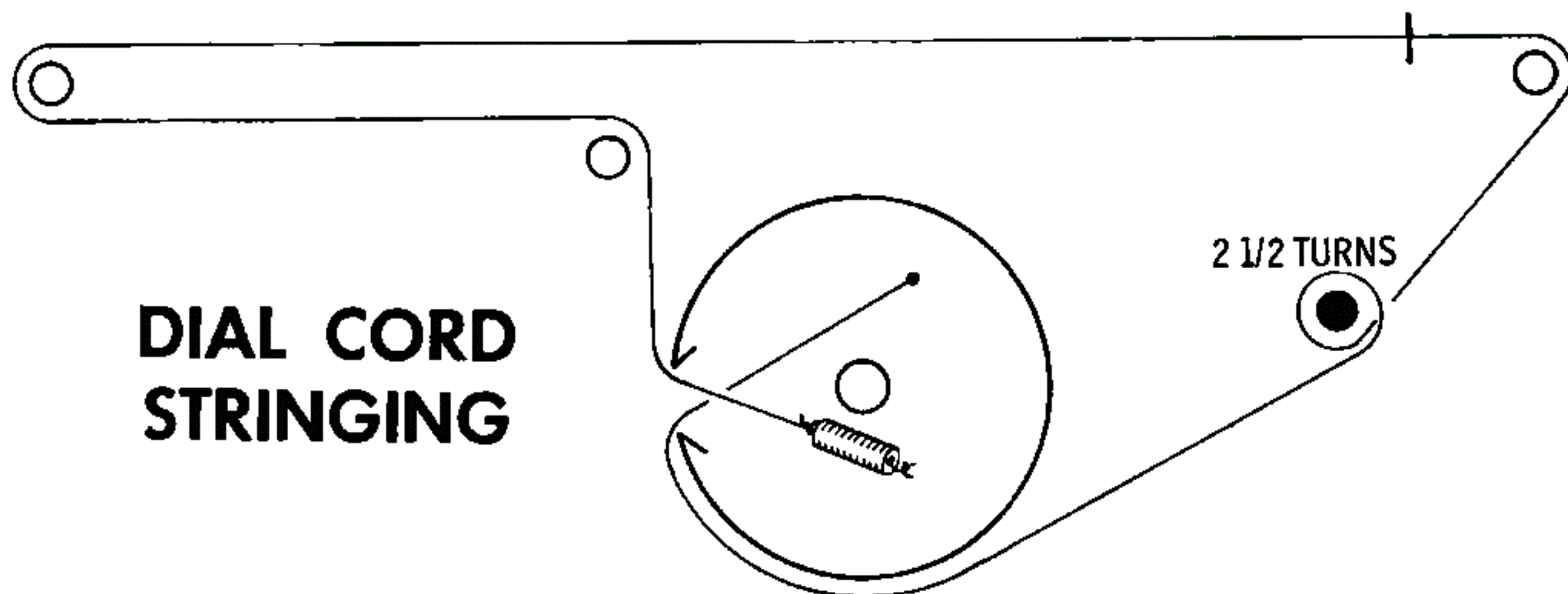
MARINE ALIGNMENT - SELECTOR IN MB POSITION

5.	4.5MC	4.5MC	"	A8	"
6.	1.8MC	1.8MC	"	A9	"
7.	4MC	4MC	"	A10	"

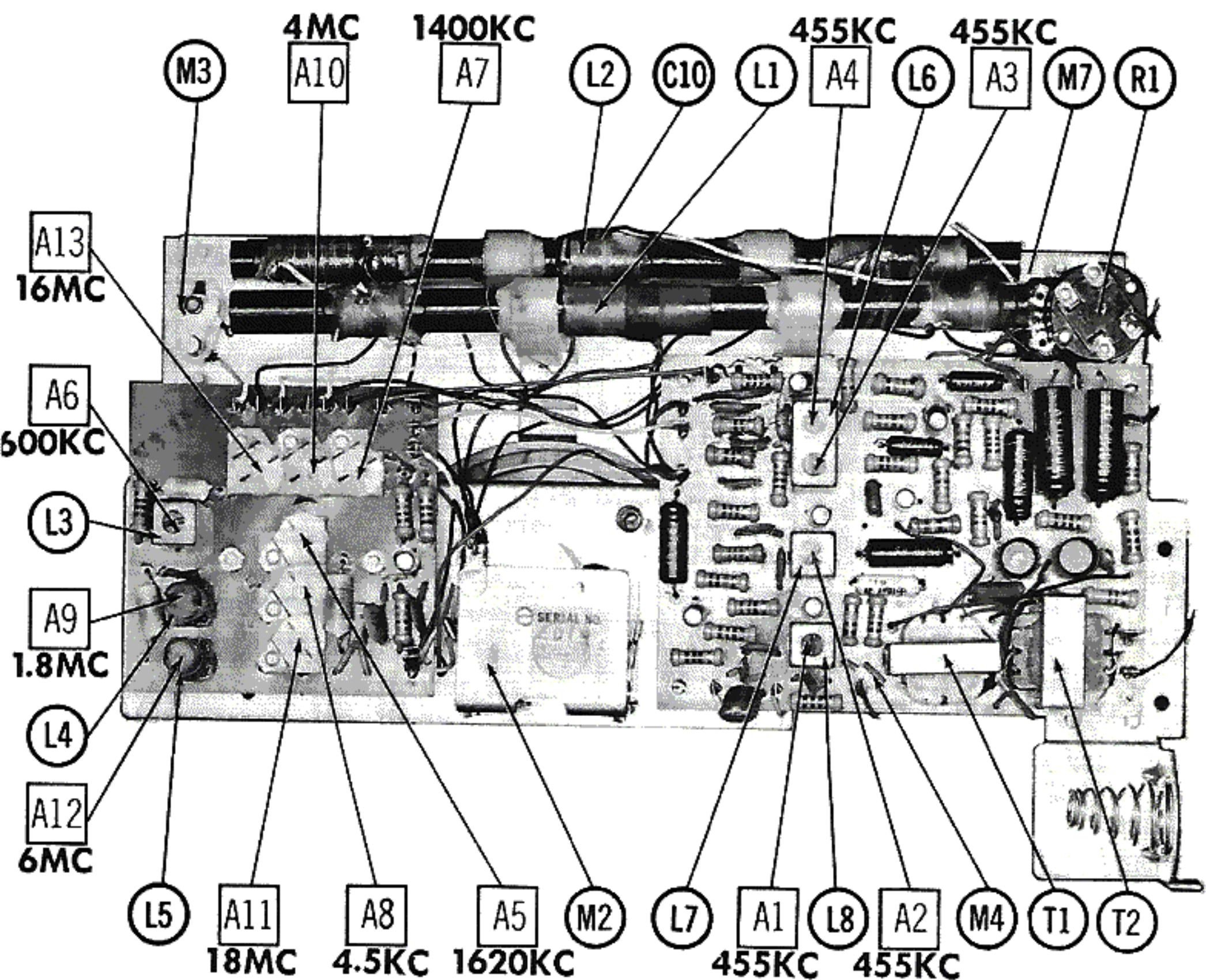
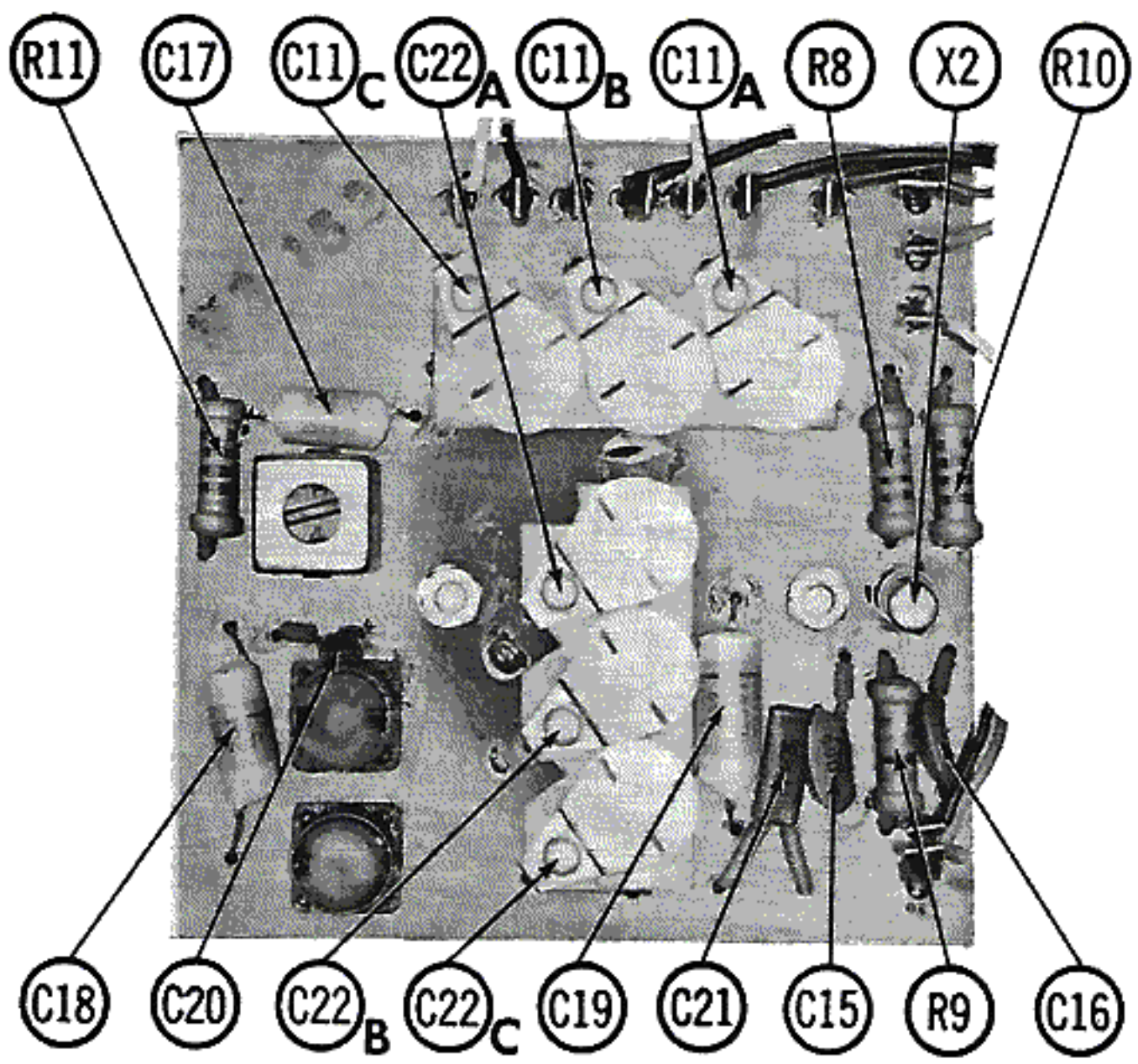
SHORTWAVE ALIGNMENT - SELECTOR IN SW POSITION

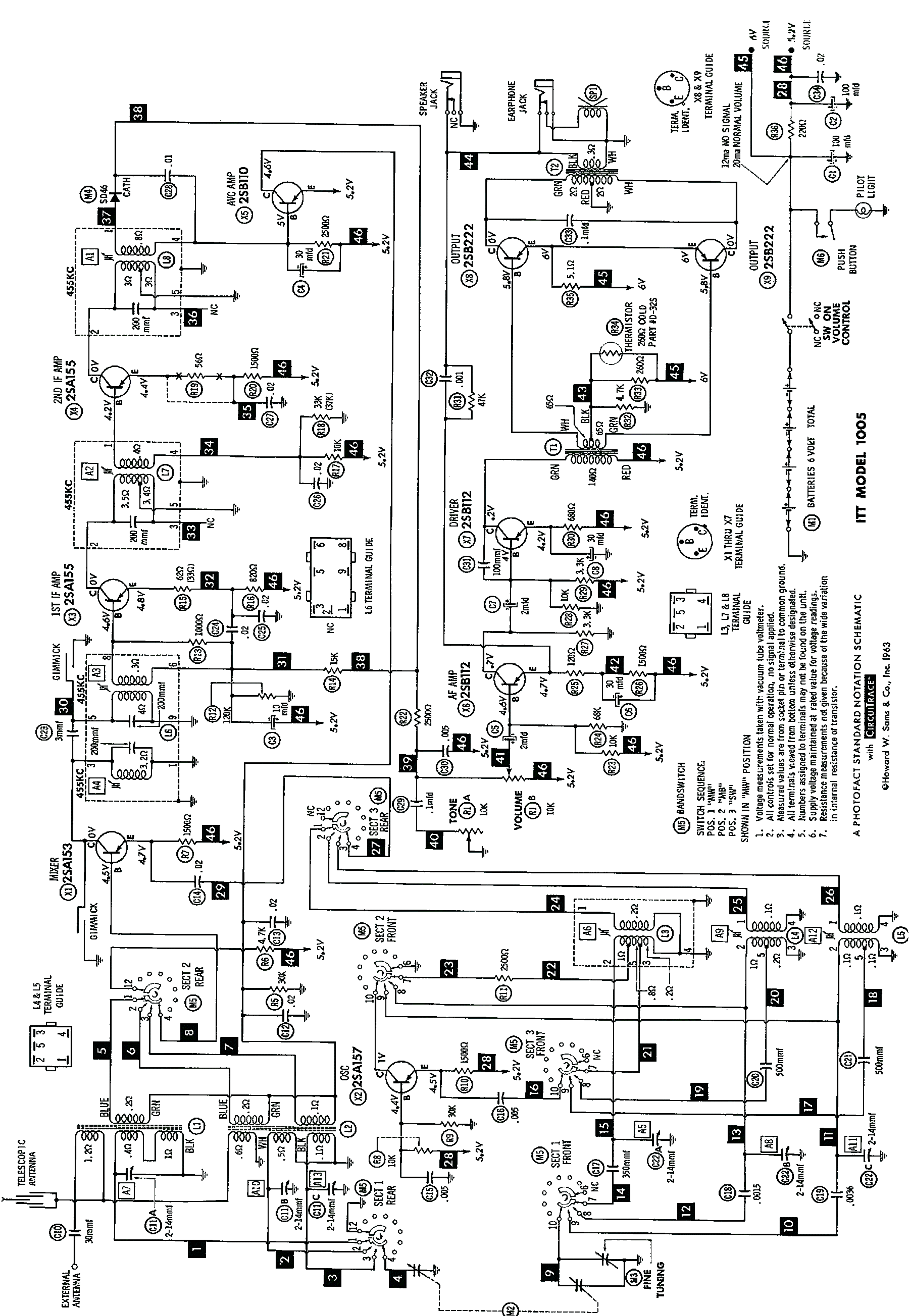
8.	18MC	18MC	"	A11	"
9.	6MC	6MC	"	A12	"
10.	16MC	16MC	"	A13	"

DIAL CORD STRINGING

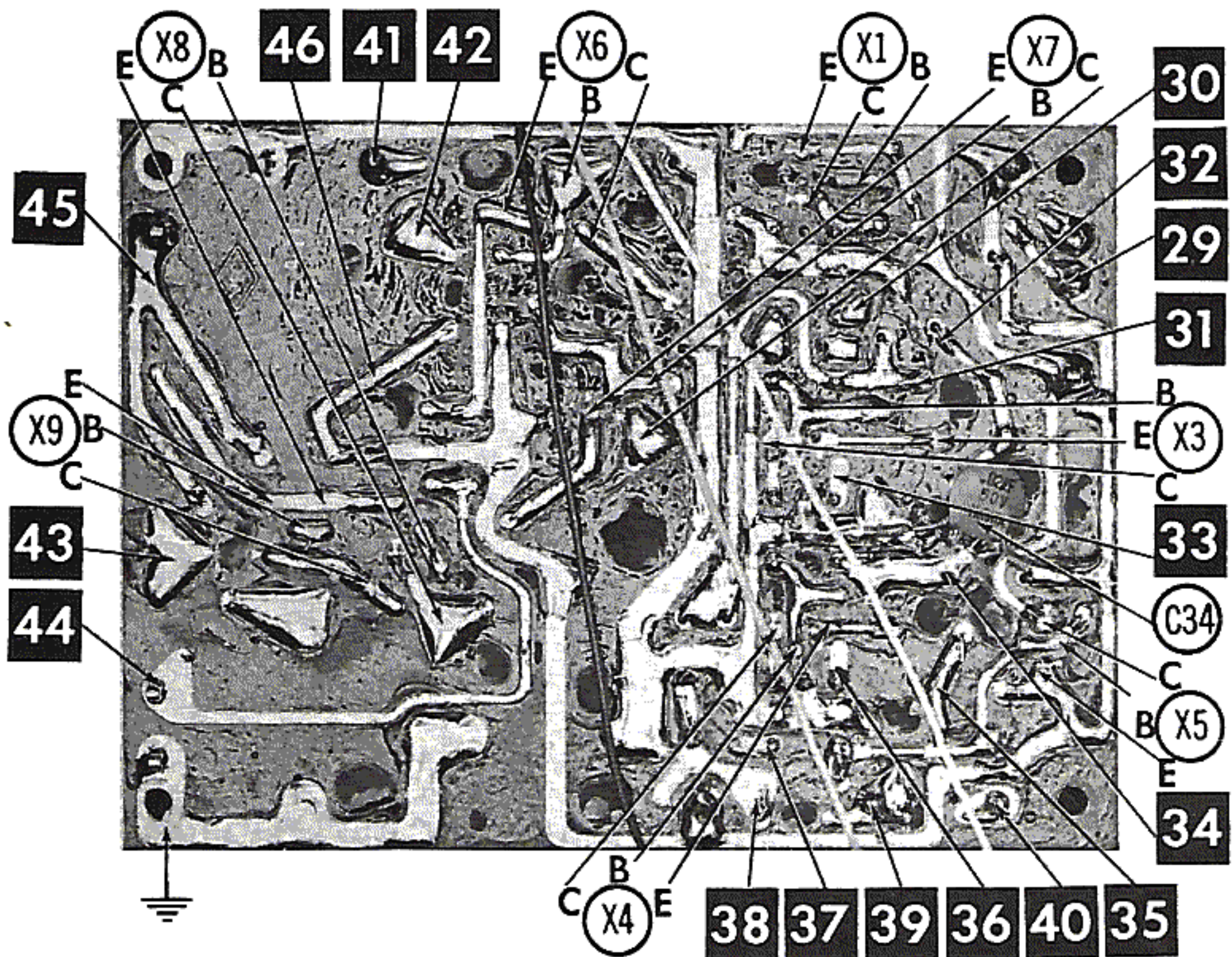
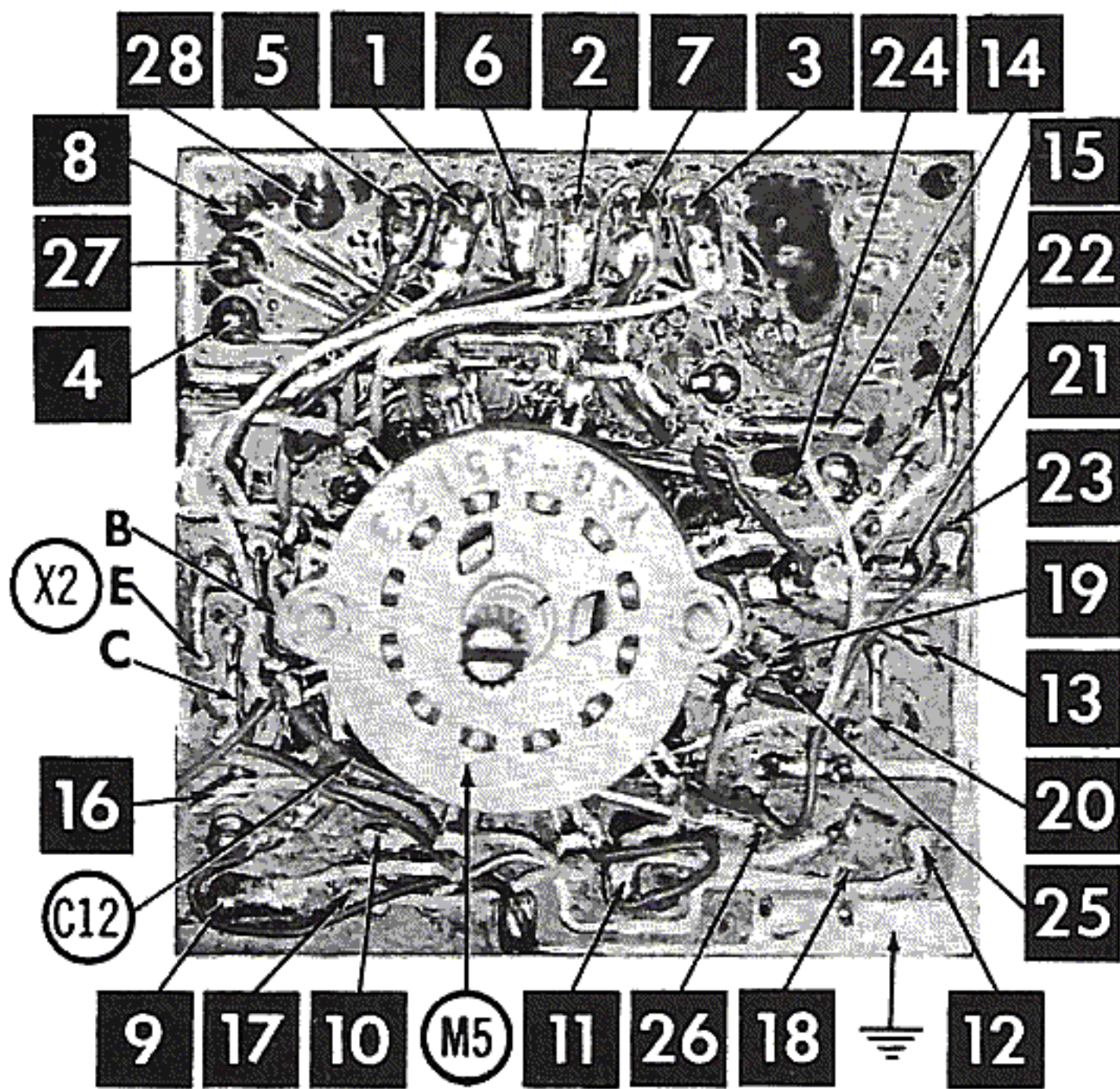


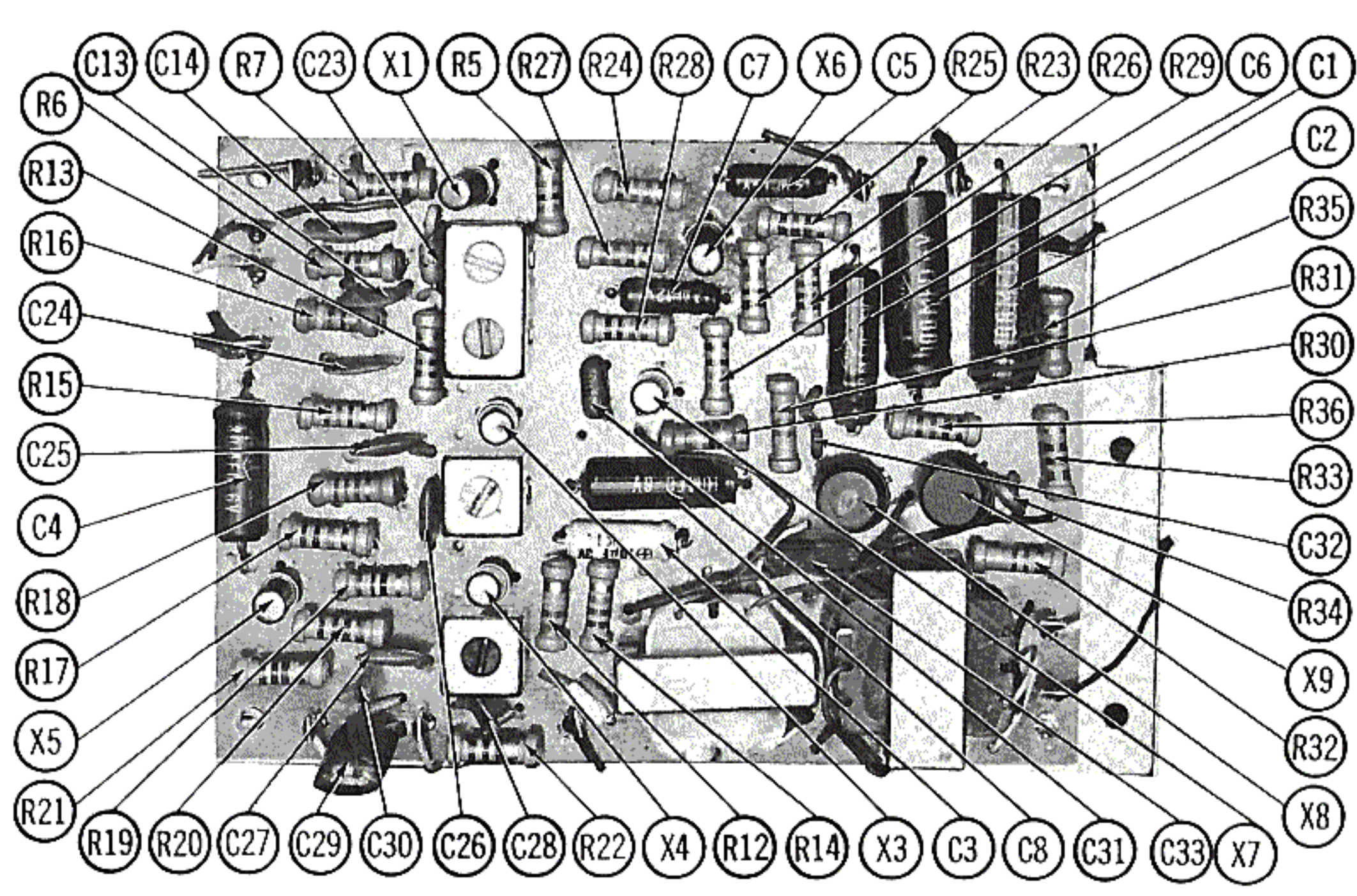
HOWARD W. SAMS & CO., INC. Indianapolis 6, Indiana





ITT MODEL 1005
A PHOTOFACT STANDARD NOTATION SCHEMATIC
with CIRCUITTRACE
©Howard W. Sams & Co., Inc. 1963





WIRING DATA

General-use Unshielded Hook-up Wire Use BELDEN No. 8530 (Solid 22AWG) Available
8524 (Stranded 22AWG) in
8570 (Stranded 26AWG) 12 Colors

TRANSISTORS

ITEM No.	ORIG. TYPE	USE	REPLACEMENT DATA			NOTES
			DELCO PART No.	GENERAL ELECTRIC PART No.	RCA PART No.	
X1	2SA153	Mixer	DS-25	GE-1		PNP
X2	2SA157	Oscillator	DS-25	GE-1		PNP
X3	2SA155	1st IF Amp.	DS-25	GE-1		PNP
X4	2SA155	2nd IF Amp.	DS-25	GE-1		PNP
X5	2SB110	AVC Amp.	DS-26	GE-2	2N406	PNP
X6	2SB112	AF Amp.	DS-26	GE-2	2N406	PNP
X7	2SB112	Driver	DS-26	GE-2	2N406	PNP
X8	2SB222	Output	DS-26	GE-2	2N406	PNP
X9	2SB222	Output	DS-26	GE-2	2N406	PNP

ELECTROLYTIC CAPACITORS

ITEM No.	RATING		REPLACEMENT DATA						
	CAP.	VOLT.	ITT PART No.	AEROVOX PART No.	CORNELL-DUBILIER PART No.	GENERAL ELECTRIC PART No.	GENERAL INSTRUMENT PART No.	MALLORY PART No.	SPRAGUE PART No.
C1	100	6		CRE326A	NLW100-12	MT1-18	MLV100-6	TT6X100	TE-1102
C2	100	6		CRE326A	NLW100-12	MT1-18	MLV100-6	TT6X100	TE-1102
C3	10	3		CRE207A	NLW10-3	MT1-5	MLV10-3	TT3X10	TE-1053
C4	30	6		CRE313A	NLW30-15	MT1-13	MLV30-6	TT6X30	TE-1092
C5	2	12		CRE401A	NLW2-50	MT1-1	MLV2-12	TT12X2	TE-1121
C6	30	6		CRE312A	NLW30-15	MT1-13	MLV30-6	TT6X30	TE-1092
C7	2	12		CRE401A	NLW2-50	MT1-1	MLV2-12	TT12X2	TE-1121
C8	30	6		CRE312A	NLW30-15	MT1-13	MLV30-6	TT6X30	TE-1092

FIXED CAPACITORS

ITEM No.	RATING	REMARKS	REPLACEMENT DATA					
			AEROVOX PART No.	CENTRALAB PART No.	CORNELL-DUBILIER PART No.	ELMENCO PART No.	MALLORY PART No.	SPRAGUE PART No.
C10	30		DI-30	D6-330	LA10Q3	CCD-330	GP433	10TS-Q33
C11A	2-14							
B	2-14							
C	2-14							
C12	.02		TTD-02	CK-203	H3		TA-120	TG-S20
C13	.02		TTD-02	CK-203	H3		TA-120	TG-S20
C14	.02		TTD-02	CK-203	H3		TA-120	TG-S20
C15	.005		TTD-005	CK-502	H1		TA-110	TG-S10
C16	.005		TTD-005	CK-502	H1		TA-110	TG-S10
C17	350		SI 360	CPR-360J	LA10T35	CCD-391	GP335	10TS-T35
C18	.0015		SI 1500	D6-152	LA10D15	CCD-152	GP215	10TS-D15
C19	.0036		SI 3300	CPR-3600J	LA10D33	CCD-332	GP233	10TS-D33
C20	500			DM-501				
C21	500			DM-501				
C22A	2-14							
B	2-14							
C	2-14							
C23	3		NPO-SI 3.0	TCZ-3R3	C10V3C	CCTO-3R3	CNO-533	10TCC-V33
C24	.02		TTD-02	CK-203	H3		TA-120	TG-S20
C25	.02		TTD-02	CK-203	H3		TA-120	TG-S20
C26	.02		TTD-02	CK-203	H3		TA-120	TG-S20
C27	.02		TTD-02	CK-203	H3		TA-120	TG-S20
C28	.01		TTD-01	CK-103	H2		TA-110	TG-S10
C29	.1		TTD-1	CK-104	H6		TA-010	TG-P10
C30	.005		TTD-005	CK-502	H1		TA-250	TG-D50
C31	100			DM-101				
C32	.001			DM-102				
C33	.1		TTD-1	CK-104	H6		TA-010	TG-P10
C34	.02		TTD-02	CK-203	H3		TA-120	TG-S20

D DESCRIPTION

CONTROLS

All wattages 1/2 watt, or less, unless otherwise listed.

ITEM No.	USE	RESISTANCE	REPLACEMENT DATA				
			ITT PART No.	CENTRALAB PART No.	CLAROSTAT PART No.	CTS-IRC PART No.	MALLORY PART No.
R1A B	Tone Volume & Switch	10K 10K					

COILS (RF-IF)

ITEM No.	USE	REPLACEMENT DATA					NOTES
		ITT PART No.	MERIT PART No.	MILLER PART No.	STANCOR PART No.	WORKMAN PART No.	
L1 L2 L3 L4 L5 L6 L7 L8	MW Loopstick MB-SW Loopstick MW Osc. MB Osc. SW Osc. 1st IF 2nd IF 3rd IF						
			BC-575 BC-576				

TRANSFORMER (DRIVER)

ITEM No.	TURNS RATIO		REPLACEMENT DATA				NOTES	
	PRI.	SEC.	ITT PART No.	MERIT PART No.	STANCOR PART No.	THORDARSON PART No.		TRIAD PART No.
T1	1.2	1						

TRANSFORMER (AUDIO OUTPUT)

ITEM No.	IMPEDANCE		REPLACEMENT DATA				NOTES	
	PRI.	SEC.	ITT PART No.	MERIT PART No.	STANCOR PART No.	THORDARSON PART No.		TRIAD PART No.
T2	100Ω CT	3-4Ω						

SPEAKER

ITEM No.	TYPE	REPLACEMENT DATA		NOTES
		ITT PART No.	QUAM PART No.	
SP1	4" PM 3-4Ω	YSG-25079A	4A07R	

BATTERIES

ITEM No.	VOLTAGE	ITT PART No.	REPLACEMENT DATA			NOTES
			BURGESS	EVEREADY	MALLORY	
M1	6V		230 (or AL-2)	A100 (or E95)	M-13R (or MN1300)	4 Required

MISCELLANEOUS

ITEM No.	PART NAME	ITT PART No.	NOTES
M2 M3 M4 M5 M6	Tuning Cap. Fine Tuning Det. (SD46) Function Switch Light Switch		

ITT MODEL 1005