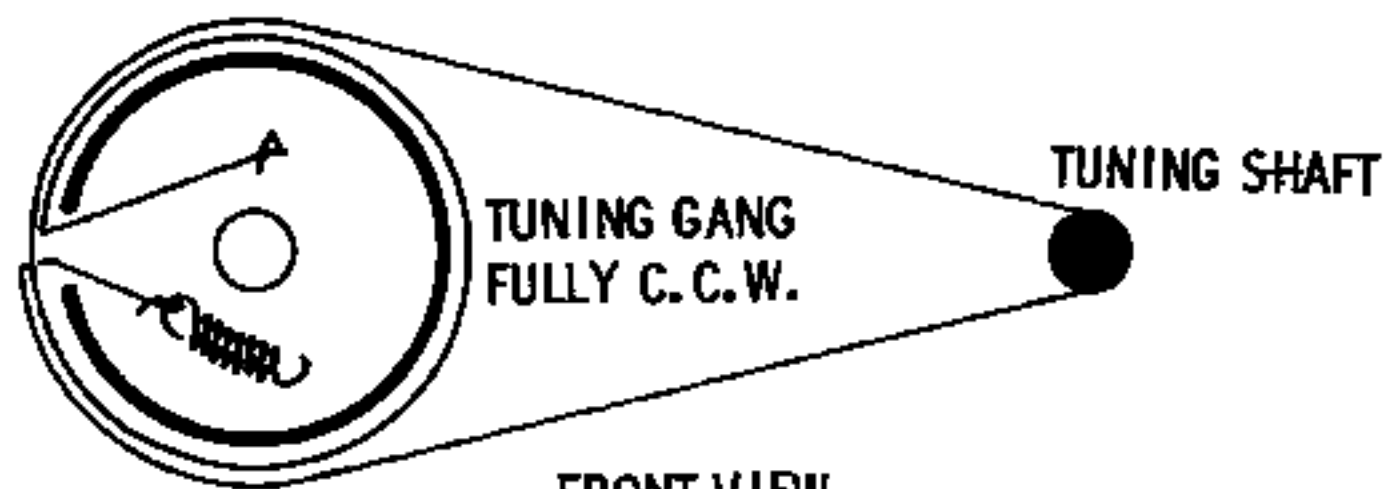




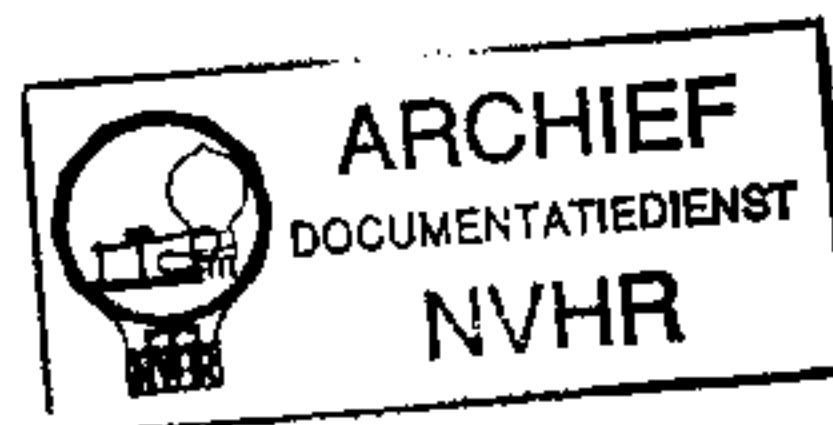
Met dank aan Jef Bos



DIAL CORD STRINGING



Ned. Ver. v. Historie v/d Radio



TRADE NAME	Honey Tone Model FR-601		
SUPPLIER	Associated Importers, 1168 Battery Street, San Francisco 11, California		
TYPE SET	Battery Operated 6 Transistor Portable AM Receiver		
POWER SUPPLY	9 Volts DC	RATING	6MA @ 9 Volts DC (No Signal, Min. Volume)
TUNING RANGE—BROADCAST	530 — 1630KC		11MA @ 9 Volts DC (Signal, Normal Volume)

ALIGNMENT INSTRUCTIONS

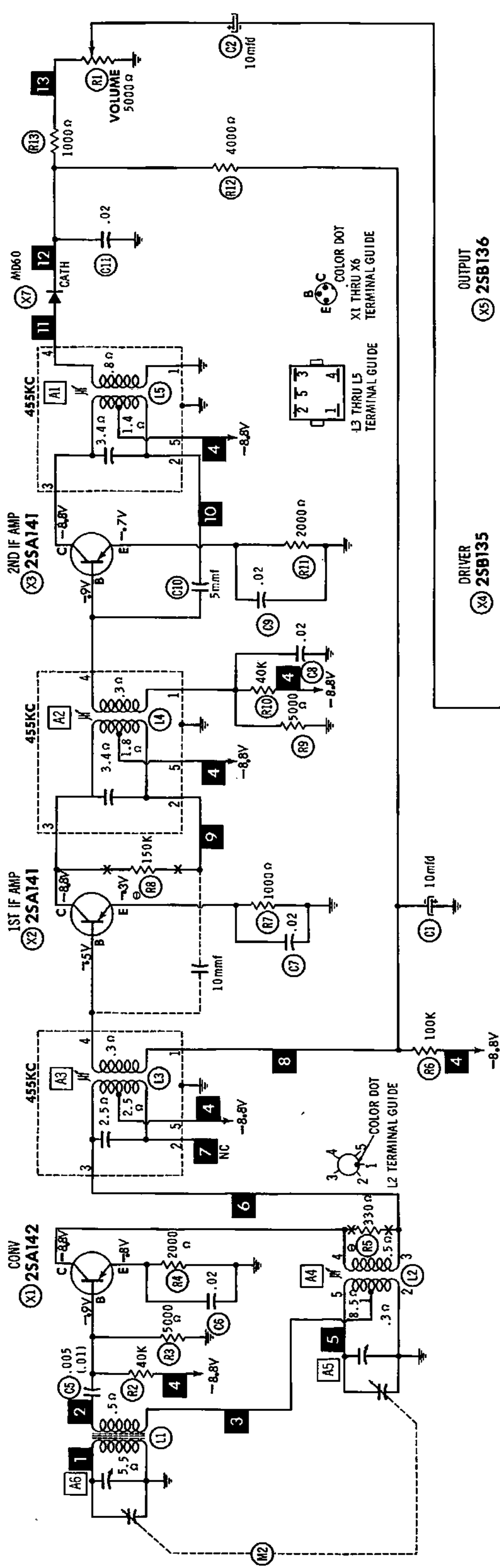
ALIGNMENT INSTRUCTIONS—READ CAREFULLY BEFORE ATTEMPTING ALIGNMENT					
Use only enough generator output to provide a usable indication.					
Suggested Alignment Tools:					
A1, A2, A3.....	GENERAL CEMENT #5000, 5003, 5066, 8276, 8290, 9087, 9089 WALSCO #2512, 2525, 2528				
A4, A6.....	GENERAL CEMENT #5000, 5003, 5066, 8271, 8272, 8276, 8277, 8290, 8609, 8722, 9150, 9298 WALSCO #2515, 2516, 2518, 2519, 2525, 2541				
A5.....	GENERAL CEMENT #8282, 8806, 8606-L, 9091 WALSCO #2526, 2541, 2542, 2543, 2544				
SIGNAL GENERATOR COUPLING	SIGNAL GENERATOR FREQUENCY	RADIO DIAL SETTING	INDICATOR	ADJUST	REMARKS
1. Fashion loop of several turns of wire and radiate signal into loop of receiver	455KC (Unmod.)	Tuning gang fully open.	DC VTVM across volume control.	A1, A2, A3	Adjust for maximum deflection.
2. "	1630KC	"	"	A4	"
3. "	530KC	Tuning gang fully closed.	"	A5	Adjust for maximum deflection while rocking tuning gang. Repeat Step 2.
4. "	1400KC	1400KC	"	A6	Adjust for maximum deflection.

HOWARD W. SAMS & CO., INC. Indianapolis 6, Indiana



The listing of any available replacement part herein does not constitute in any case a recommendation, warranty or guaranty by Howard W. Sams & Co., Inc., as to the quality and suitability of such replacement part. The numbers of these parts have been compiled from information furnished to Howard W. Sams & Co., Inc., by the manufacturers of LF637

the particular type of replacement part listed. Reproduction or use, without express permission, of editorial or pictorial content, in any manner, is prohibited. No patent liability is assumed with respect to the use of the information contained herein. © 1962 Howard W. Sams & Co., Inc., Indianapolis 6, Indiana. Printed in U.S. of America



A PHOTOFACT STANDARD NOTATION SCHEMATIC with **CIRCUITAGE**

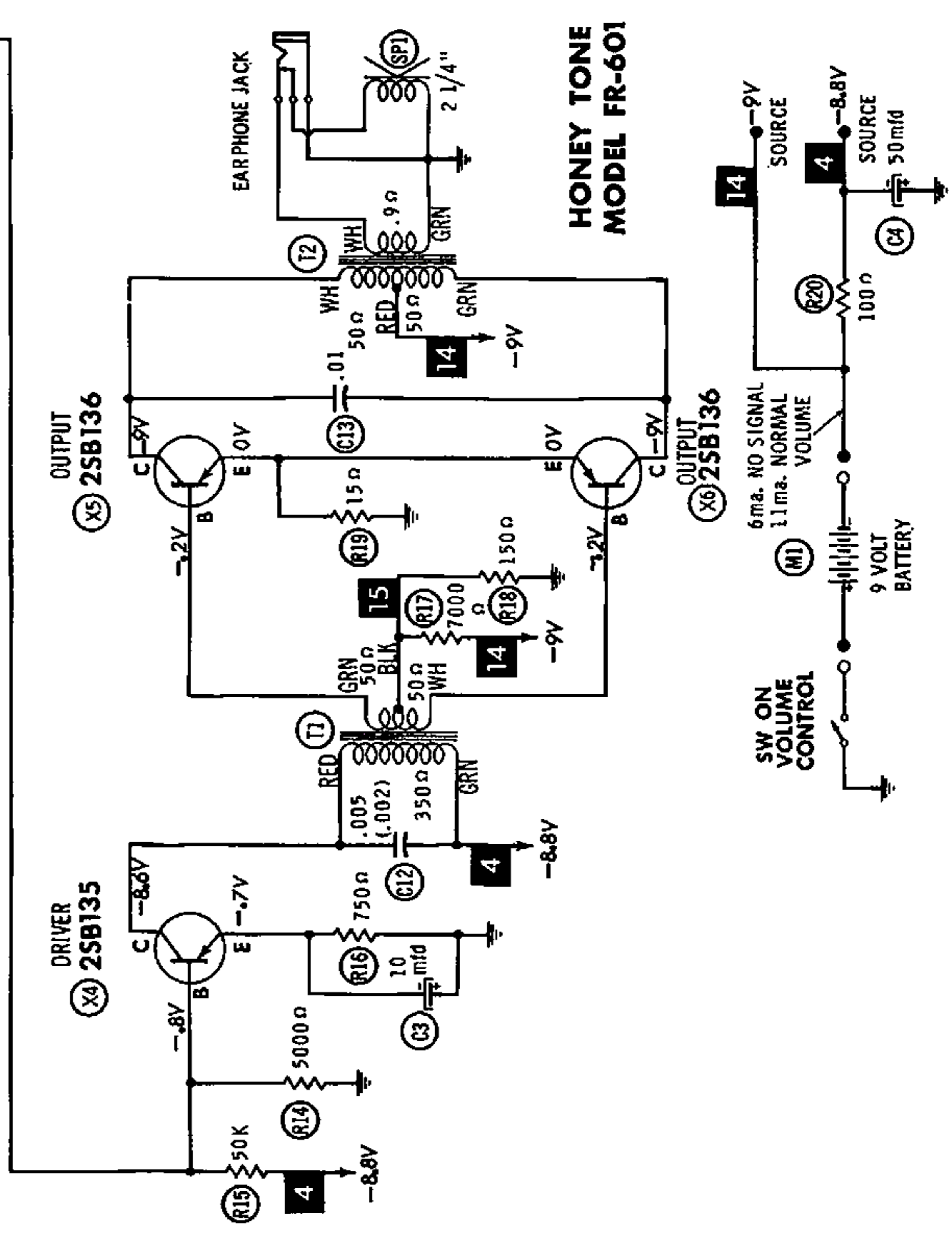
© Howard W. Sams & Co., Inc. 1962

RESISTANCE MEASUREMENTS NOT GIVEN BECAUSE OF THE WIDE VARIATION IN INTERNAL TRANSISTOR RESISTANCE.

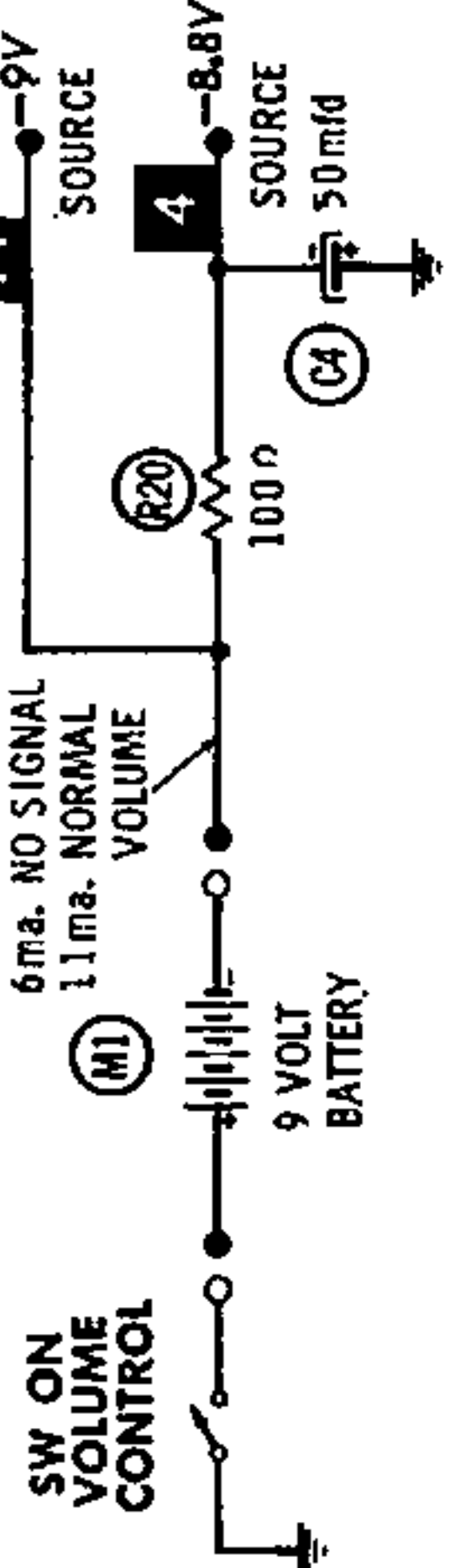
NUMBERS ASSIGNED TO COILS, SWITCHES, PLUGS, SOCKETS, AND TRANSFORMERS ARE TO FACILITATE CIRCUIT TRACING OR COMPONENT REPLACEMENT AND MAY NOT NECESSARILY BE FOUND ON THE UNIT.

SEE PARTS LIST FOR ALTERNATE VALUE OR APPLICATION

1. DC voltage measurements taken with vacuum tube voltmeter.
2. Socket connections or transistor terminals are shown as bottom views.
3. Measured values are from socket pin or terminal to common ground.
4. Nominal tolerance on component values makes possible a variation of $\pm 15\%$ in voltage and resistance readings.
5. Volume control at maximum, no signal applied for voltage measurements.



HONEY TONE MODEL FR-601



PARTS LIST AND DESCRIPTIONS

WIRING DATA

General-use Unshielded Hook-up Wire	Use BELDEN No. 8530 (Solid 22AWG) 8524 (Stranded 22AWG) 8570 (Stranded 26AWG)	Available in 12 Colors
---	---	------------------------------

TRANSISTORS

ITEM No.	ORIG. TYPE	USE	REPLACEMENT DATA		NOTES
			GENERAL ELECTRIC PART No.	RCA PART No.	
X1	2SA142	Converter	GE-1		PNP
X2	2SA141	1st IF Amplifier	GE-1		PNP
X3	2SA141	2nd IF Amplifier	GE-1		PNP
X4	2SB135	Driver	GE-2	2N408	PNP
X5	2SB138	Output	GE-2	2N408	PNP
X6	2SB138	Output	GE-2	2N408	PNP

POWER RECTIFIERS & SIGNAL DIODES

ITEM No.	CURRENT RATING (Measured)	ORIGINAL Part or Type No.	RECTIFIERS		DIODES	NOTES
			RCA PART No.	SARKES TARZIAN PART No.		
X7		MD 60				Detector

ELECTROLYTIC CAPACITORS

ITEM No.	RATING		Honey Tone PART No.	REPLACEMENT DATA					
	CAP.	VOLT.		AEROVOX PART No.	CORNELL-DUBILIER PART No.	GENERAL ELECTRIC PART No.	MALLORY PART No.	PYRAMID PART No.	SPRAGUE PART No.
C1	10	10		CRE407	NLW10-15	MT1-5	TT12X10	MLV10-10	TE-1114
C2	10	6		CRE307	NLW10-6	MT1-5	TT6X10	MLV10-6	TE-1087
C3	10	10		CRE417	NLW10-15	MT1-5	TT12X10	MLV10-10	TE-1114
C4	50	10			NLW50-10	MT1-16			TE-1119

FIXED CAPACITORS

ITEM No.	RATING	REMARKS	REPLACEMENT DATA					
			AEROVOX PART No.	CENTRALAB PART No.	CORNELL-DUBILIER PART No.	ELMENCO PART No.	MALLORY PART No.	SPRAGUE PART No.
C5	.005	(.01) †	TTD-005	DM-502	BYA10D5	CCD-502	TA-250	5GA-D50
C6	.02		TTD-02	DA-203	BYB6S2	CCD-203	TA-120	5GA-S20
C7	.02		TTD-02	DA-203	BYB6S2	CCD-203	TA-120	5GA-S20
C8	.02		TTD-02	DA-203	BYB6S2	CCD-203	TA-120	5GA-S20
C9	.02		TTD-02	DA-203	BYB6S2	CCD-203	TA-120	5GA-S20
C10	5		DI-5	DD-050	LI0V5	CCD-050	GP550	5GA-V50
C11	.02		TTD-02	DA-203	BYB6S2	CCD-203	TA-120	5GA-S20
C12	.005	(.002) †	TTD-005	DM-502	BYA10D5	CCD-502	TA-250	5GA-D50
C13	.01		TTD-01	DDM-103	BYA10S1	CCD-103	TA-110	5GA-S10

† Alternate Value.

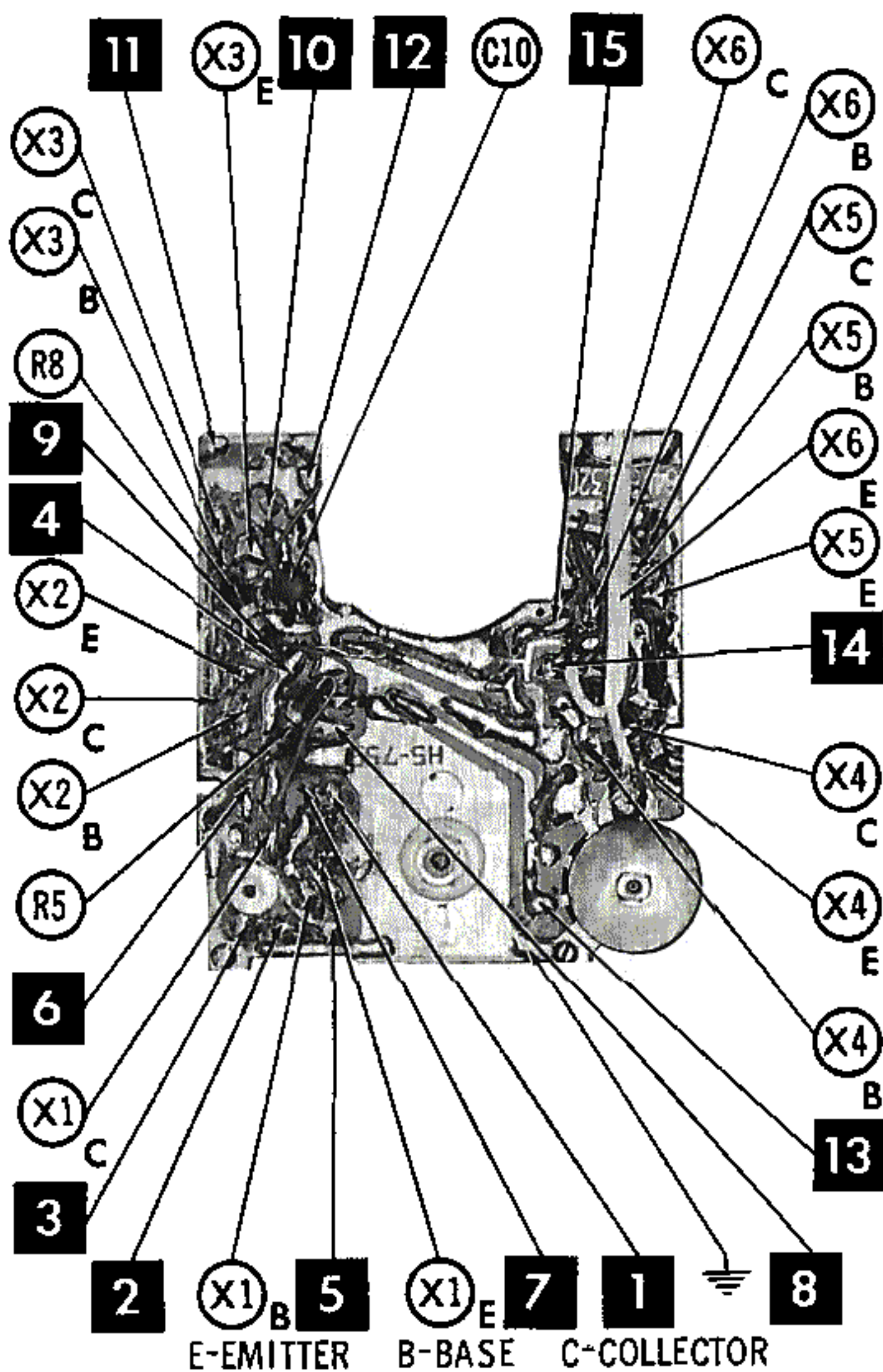
CONTROLS

All wattages 1/2 watt, or less, unless otherwise listed.

ITEM No.	USE	RESISTANCE	REPLACEMENT DATA				
			Honey Tone PART No.	CENTRALAB PART No.	CLAROSTAT PART No.	CTS-IRC PART No.	MALLORY PART No.
R1	Volume & Switch	5000Ω					

PRINTED BOARD

A Howard W. Sams **CIRCUITRACE** Photo



PARTS LIST AND DESCRIPTIONS (Continued)

RESISTORS

All wattages 1/2 watt, or less, unless otherwise listed.

ITEM No.	RATING	REPLACEMENT DATA			ITEM No.	RATING	REPLACEMENT DATA		
		IRC PART No.	WORKMAN PART No.	REMARKS			IRC PART No.	WORKMAN PART No.	REMARKS
R2	40K			Note 1	R12	4000Ω			
R3	5000Ω				R13	1000Ω			
R4	2000Ω				R14	5000Ω			
R5	390Ω				R15	50K			
R6	100K				R16	750Ω			
R7	1000Ω				R17	7000Ω			
R8	150K				R18	150Ω			
R9	5000Ω				R19	15Ω			
R10	40K				R20	100Ω			
R11	2000Ω								

Note 1. Not used in some versions.

COILS (RF-IF)

ITEM No.	USE	REPLACEMENT DATA					NOTES
		Honey Tone PART No.	Merit PART No.	Miller PART No.	Stancor PART No.	Workman PART No.	
L1	Loopbar						
L2	Osc.						
L3	1st IF	BC-574					
L4	2nd IF	BC-575					
L5	3rd IF	BC-576					

TRANSFORMER (DRIVER)

ITEM No.	TURNS RATIO		REPLACEMENT DATA					NOTES
			Honey Tone PART No.	MERIT PART No.	STANCOR PART No.	THORDARSON PART No.	TRIAD PART No.	
	PRI.	SEC.						
T1	2	1						

TRANSFORMER (AUDIO OUTPUT)

ITEM No.	IMPEDANCE		REPLACEMENT DATA					NOTES
			Honey Tone PART No.	Merit PART No.	Stancor PART No.	Thordarson PART No.	Triad PART No.	
	PRI.	SEC.						
T2	250Ω CT	6-8Ω						

SPEAKER

ITEM No.	TYPE			REPLACEMENT DATA		NOTES
				Honey Tone PART No.	QUAM PART No.	
	SIZE	FIELD	V. C. IMP.			
SP1	2 1/4"	PM	6-8Ω			

BATTERIES

ITEM No.	VOLTAGE	Honey Tone PART No.	REPLACEMENT DATA						NOTES
			BURGESS		EVEREADY		MALLORY		
			"A"	"B"	"A"	"B"	"A"	"B"	
M1	9V	006P		2U8		216		M-1604	

MISCELLANEOUS

ITEM No.	PART NAME	Honey Tone PART No.	NOTES
M2	Tuning Cap.		2 Gang

CHASSIS—TOP VIEW

