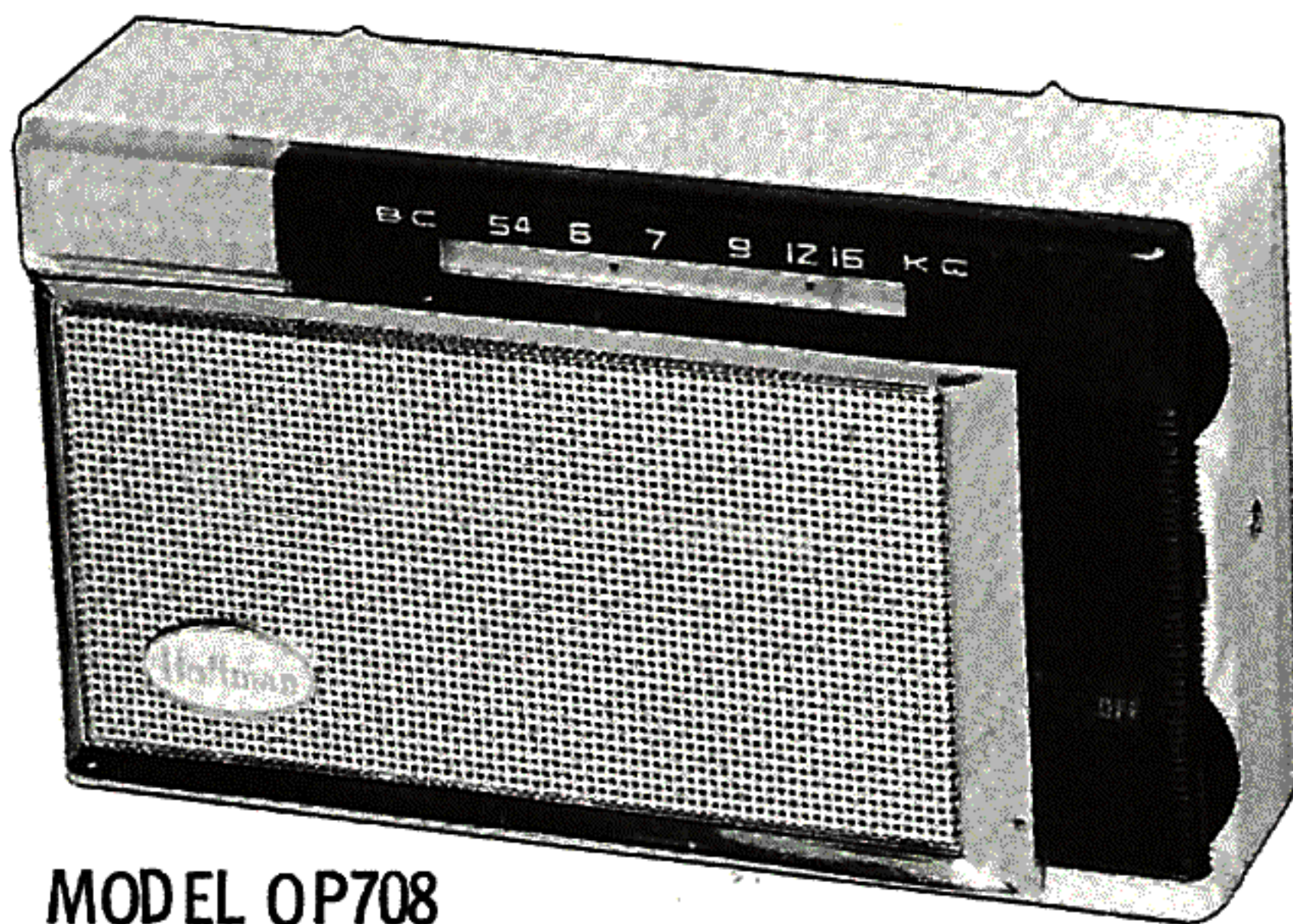
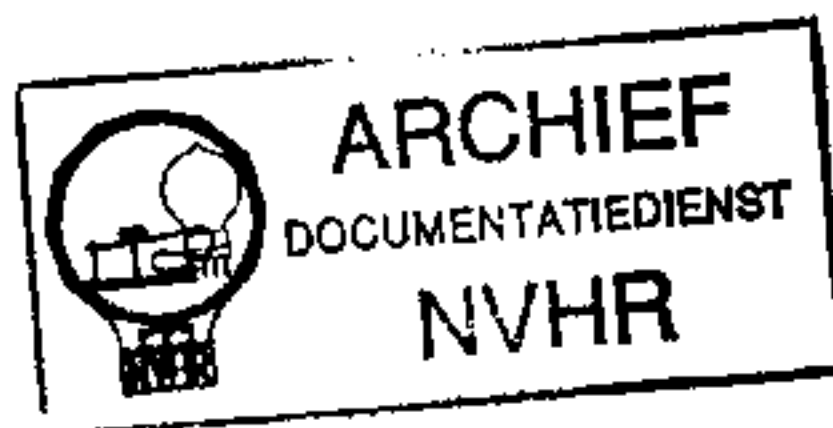




Met dank aan Jef Bos

Ned. Ver. v. Historie v/d Radio



MODEL OP708

TRADE NAME	Hoffman Models BP708, KP708, OP708 (Ch. BP318)		
MANUFACTURER	Hoffman Electronics Corp., Consumer Products Div., 6200 S. Avalon Blvd., Los Angeles 3, California		
TYPE SET	Battery Operated Transistorized Portable AM Receiver		
POWER SUPPLY	6 Volts DC	RATING	7MA @ 6 Volts DC (No Signal, Min. Volume)
TUNING RANGE—BROADCAST	540 — 1600KC		15MA @ 6 Volts DC (Signal, Normal Volume)

ALIGNMENT INSTRUCTIONS

ALIGNMENT INSTRUCTIONS—READ CAREFULLY BEFORE ATTEMPTING ALIGNMENT

Volume control should be at maximum position. Output of signal generator should be no higher than necessary to obtain an output reading.

Suggested Alignment Tools:

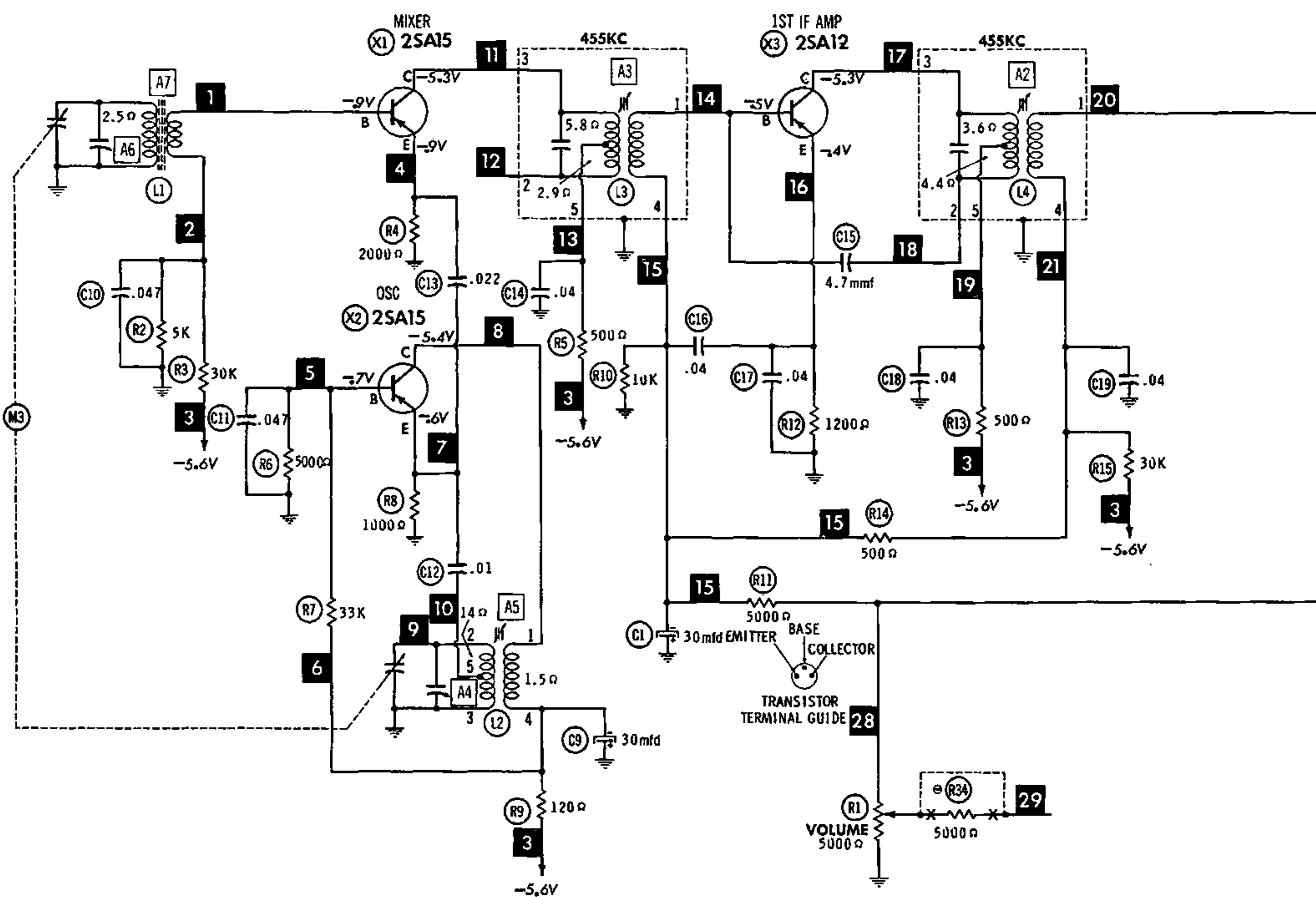
- A1, A2, A3..... GENERAL CEMENT #5009, 8195, 8274, 8275, 8278, 8729, 8987, 8988, 8989
WALSCO #2515, 2531, 2532
- A4, A6..... GENERAL CEMENT #5000, 5003, 5066, 8276, 8290, 9087, 9089
WALSCO #2512, 2525, 2528
- A5..... GENERAL CEMENT #8282, 8606, 8606-L, 9091
WALSCO #2526, 2541, 2542, 2543, 2544

	SIGNAL GENERATOR COUPLING	SIGNAL GENERATOR FREQUENCY	RADIO DIAL SETTING	OUTPUT METER	ADJUST	REMARKS
1.	Fashion loop of several turns of wire and radiate signal into loop of receiver.	455KC (400% Mod.)	Tuning gang fully open.	Across voice coil.	A1, A2, A3	Adjust for maximum output.
2.	"	1600KC	1600KC	"	A4	"
3.	"	600KC	600KC	"	A5	"
4.	"	1400KC	1400KC Signal.	"	A6	"
5.	"	600KC	600KC Signal.	"	A7	Adjust for maximum output by moving antenna coil turns along ferrite core.

HOWARD W. SAMS & CO., INC. Indianapolis 6, Indiana

The listing of any available replacement part herein does not constitute in any case a recommendation, warranty or guaranty by Howard W. Sams & Co., Inc., as to the quality and suitability of such replacement part. The numbers of these parts have been compiled from information furnished to Howard W. Sams & Co., Inc., by the manufacturers of KF981

the particular type of replacement part listed. Reproduction or use, without express permission, of editorial or pictorial content, in any manner, is prohibited. No patent liability is assumed with respect to the use of the information contained herein. ©1962 Howard W. Sams & Co., Inc., Indianapolis 6, Indiana. Printed in U.S. of America



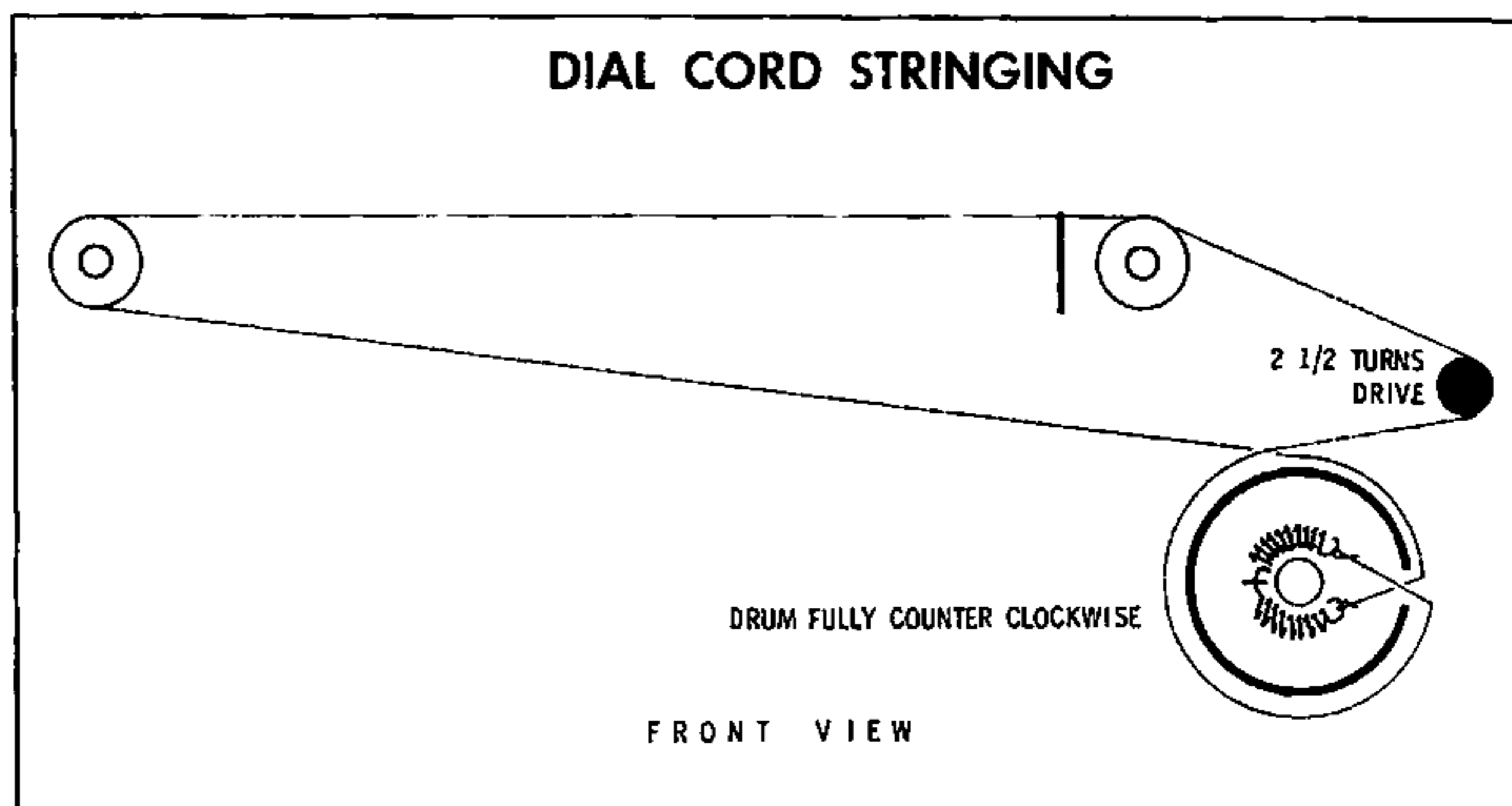
RESISTANCE MEASUREMENTS NOT GIVEN BECAUSE OF THE WIDE VARIATION IN INTERNAL TRANSISTOR RESISTANCE.

SEE PARTS LIST FOR ALTERNATE VALUE OR APPLICATION

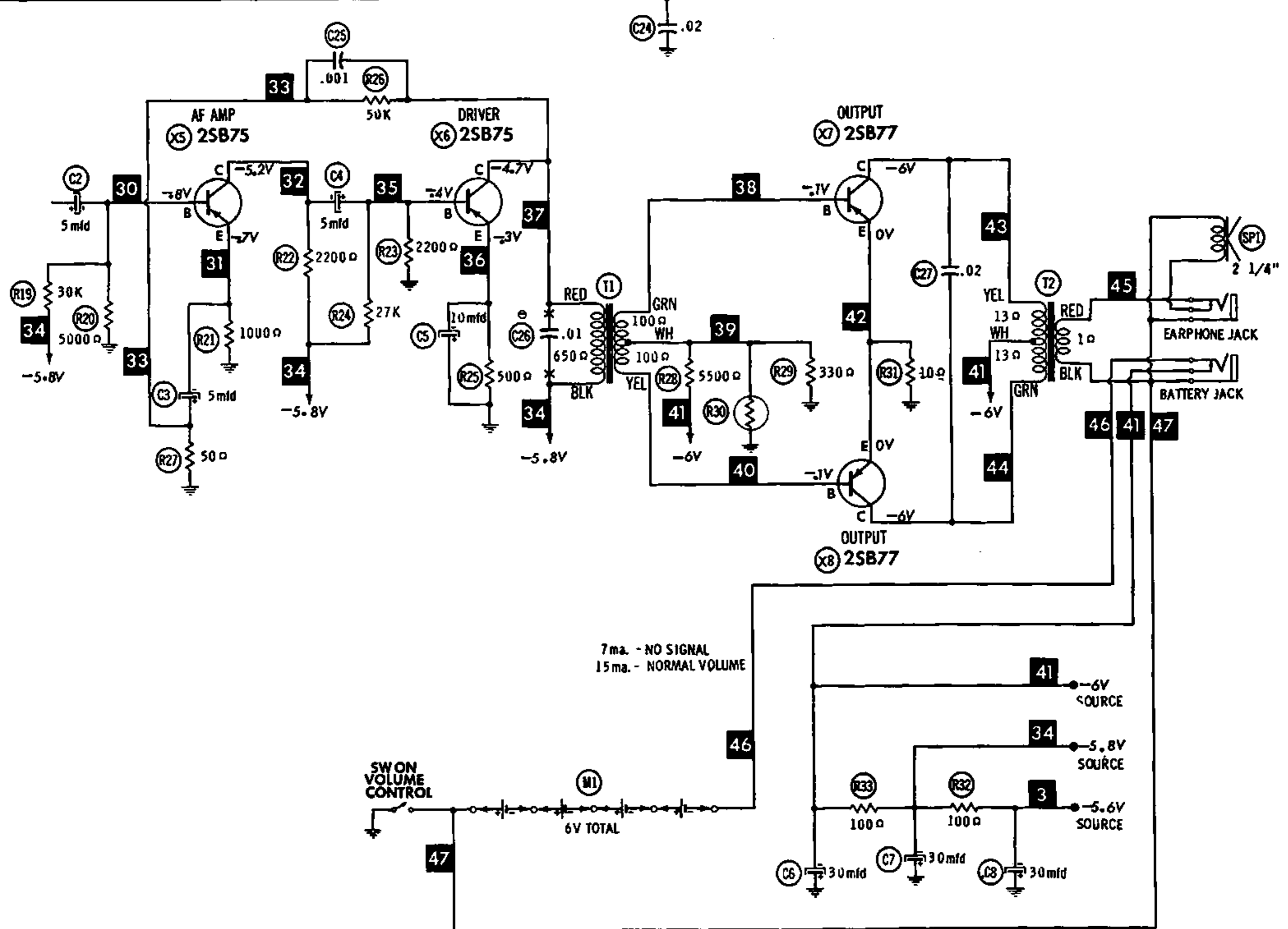
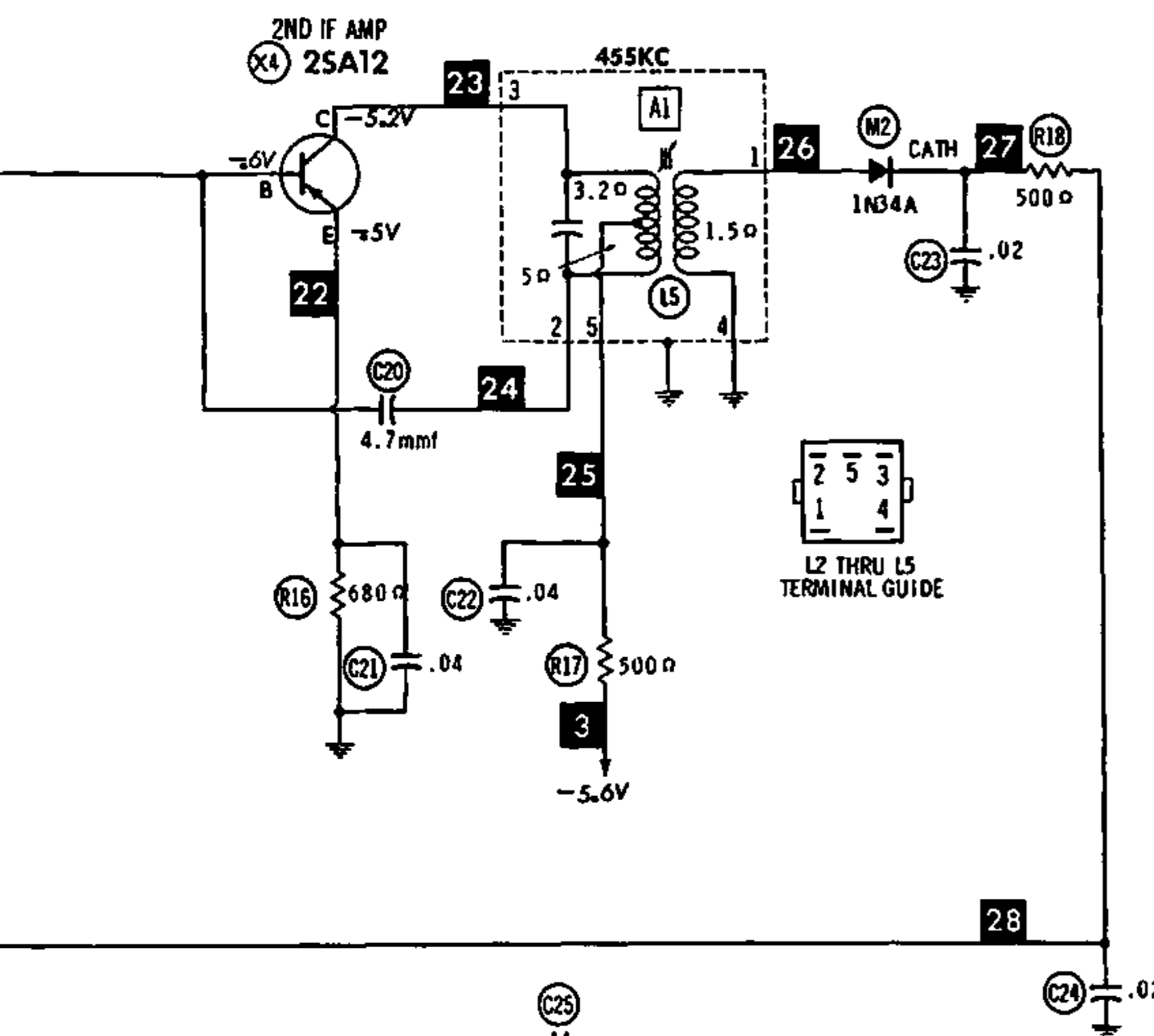
DC COIL RESISTANCE VALUES UNDER ONE OHM NOT SHOWN ON SCHEMATIC DIAGRAM

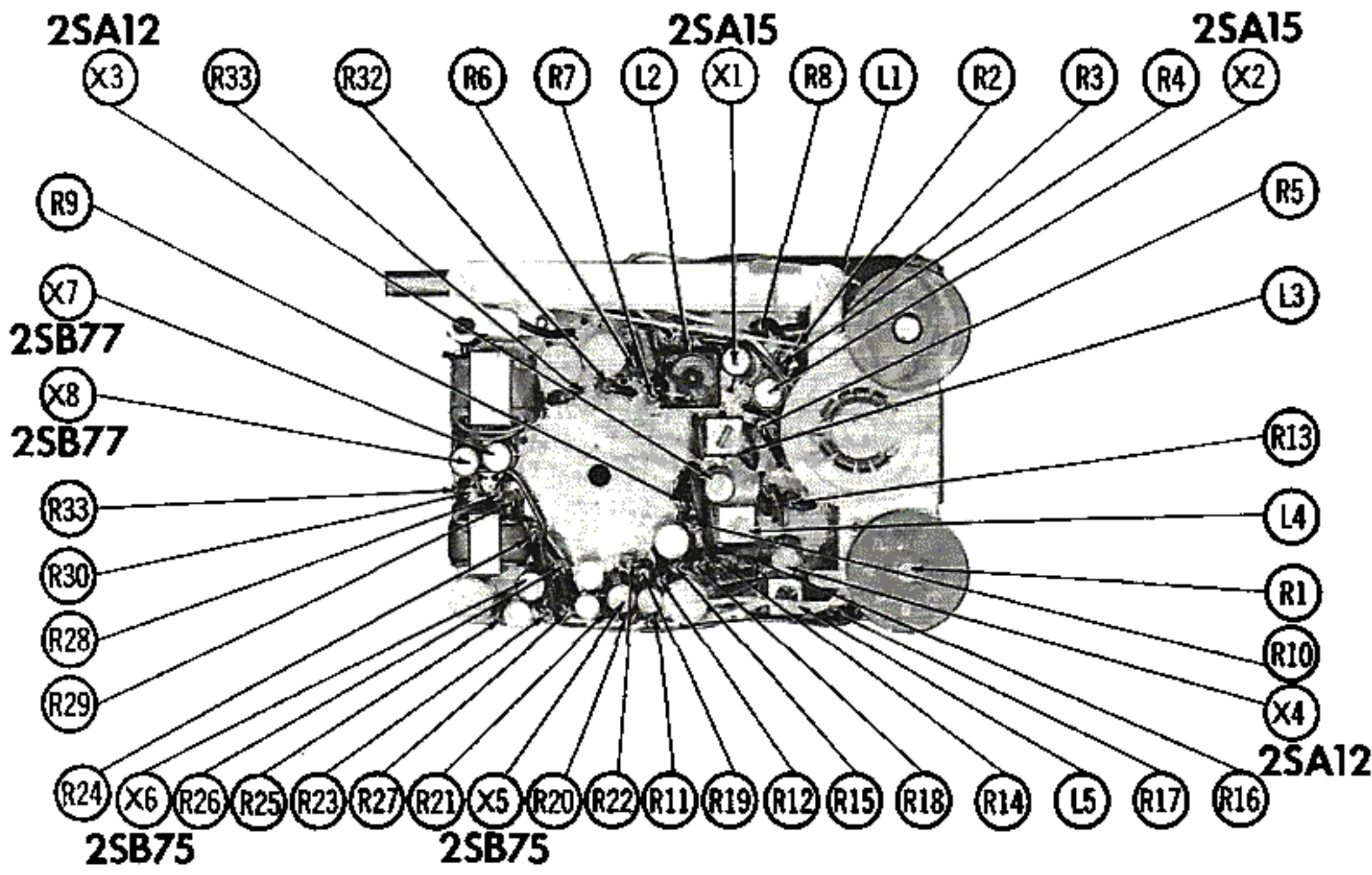
NUMBERS ASSIGNED TO COILS, SWITCHES, PLUGS, SOCKETS, AND TRANSFORMERS ARE TO FACILITATE CIRCUIT TRACING OR COMPONENT REPLACEMENT AND MAY NOT NECESSARILY BE FOUND ON THE UNIT.

1. DC voltage measurements taken with vacuum tube voltmeter.
2. Socket connections or transistor terminals are shown as bottom views.
3. Measured values are from socket pin or terminal to common ground.
4. Nominal tolerance on component values makes possible a variation of $\pm 15\%$ in voltage and resistance readings.
5. Volume control at maximum, no signal applied for voltage measurements.

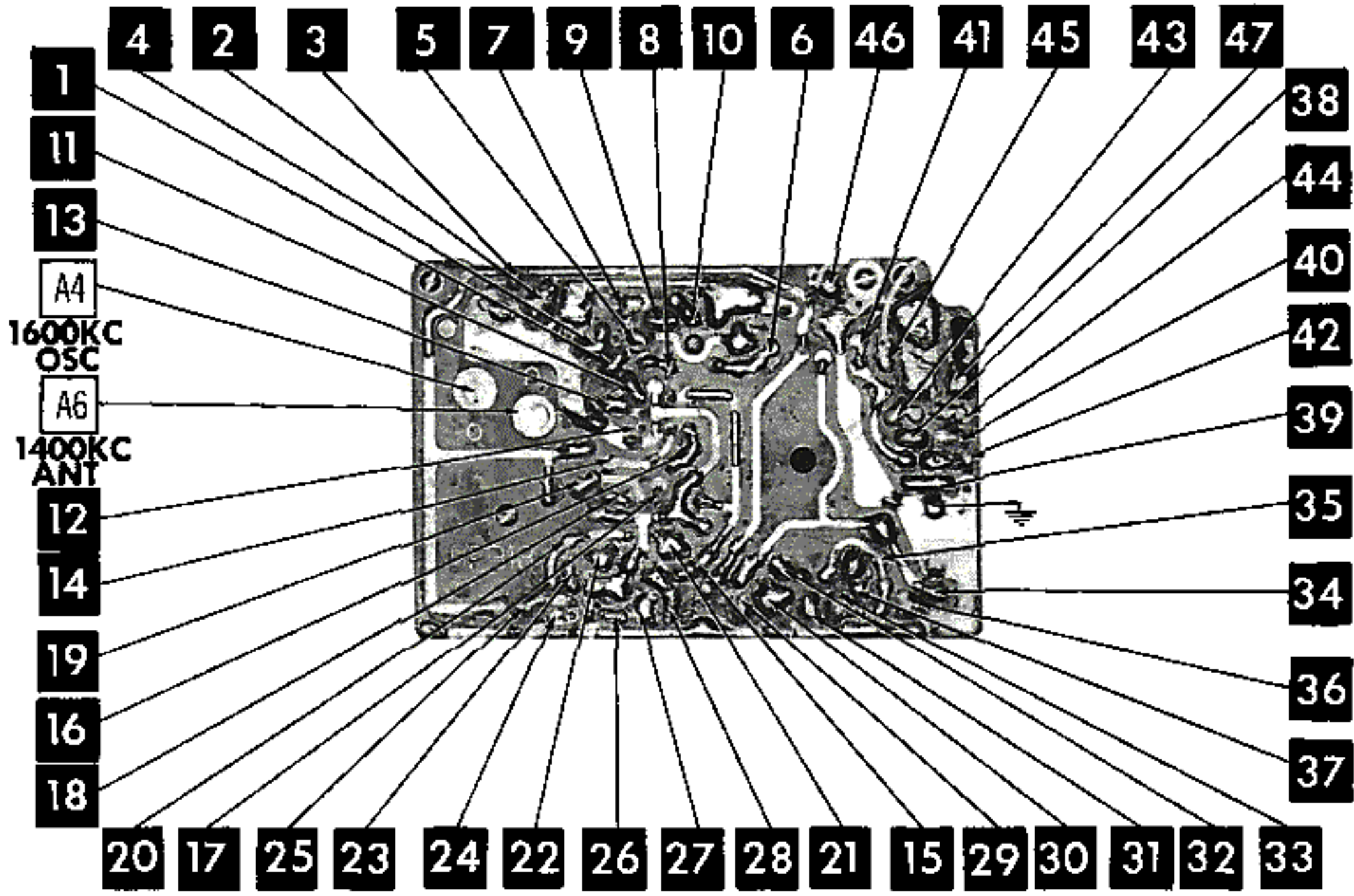


A PHOTOFACIT STANDARD NOTATION SCHEMATIC with CIRCUITRACE





CHASSIS TOP VIEW-RESISTOR, INDUCTOR & TRANSISTOR IDENT.



PARTS LIST AND DESCRIPTIONS

TRANSISTORS

ITEM No.	ORIG. TYPE	USE	REPLACEMENT DATA		NOTES
			RCA PART No.	RAYTHEON PART No.	
X1	2SA15	Mixer	2N412		PNP PNP PNP PNP PNP PNP PNP } Matched Pair
X2	2SA15	Osc.	2N412		
X3	2SA12	1st IF Amplifier	2N410		
X4	2SA12	2nd IF Amplifier	2N410		
X5	2SB75	AF Amplifier	2N408		
X6	2SB75	Driver	2N408		
X7	2SB77	Output	2N407		
X8	2SB77	Output	2N407		

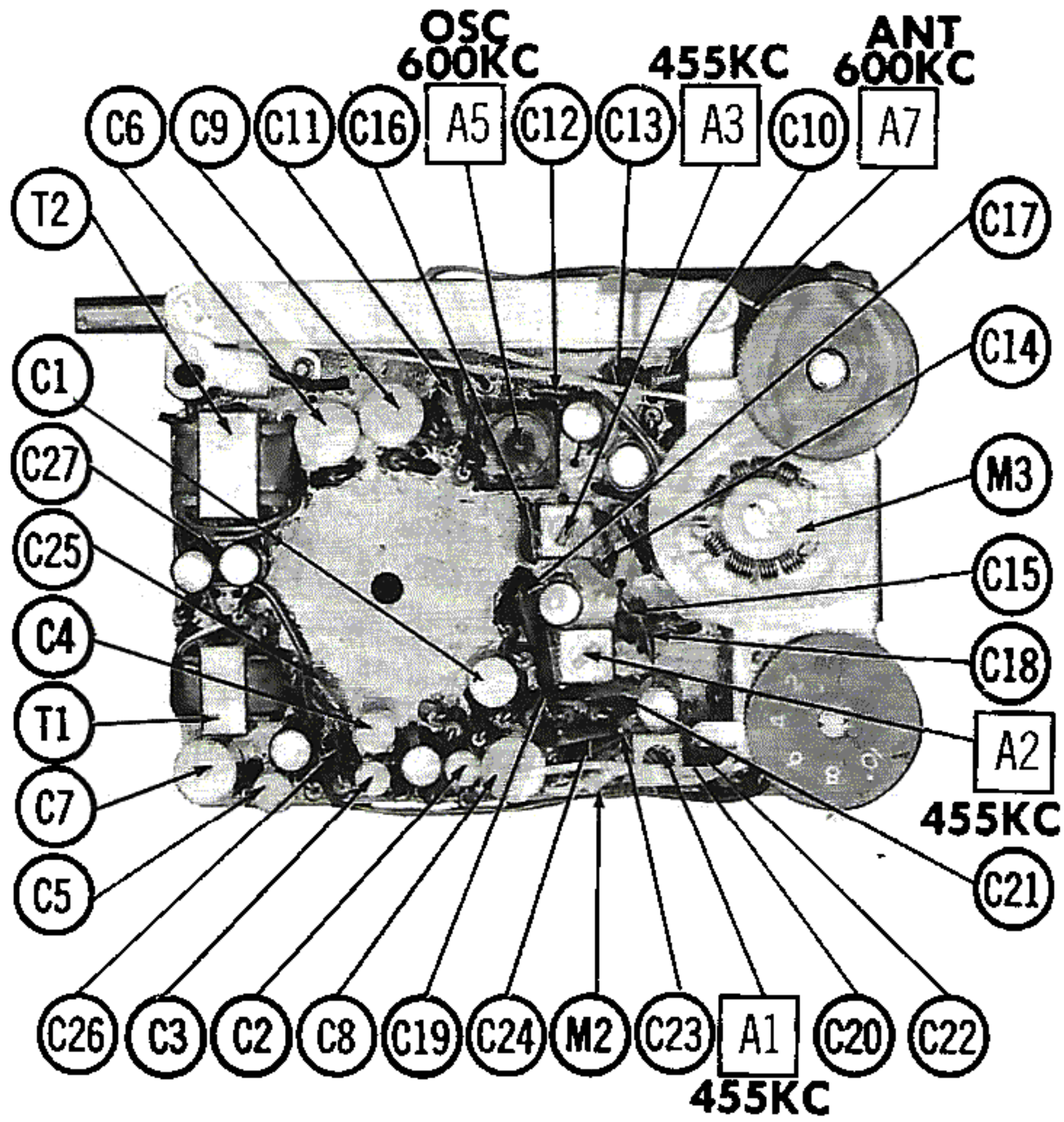
ELECTROLYTIC CAPACITORS

ITEM No.	RATING		REPLACEMENT DATA						
	CAP.	VOLT.	HOFFMAN PART No.	AEROVOX PART No.	CORNELL-DUBILIER PART No.	GENERAL ELECTRIC PART No.	MALLORY PART No.	PYRAMID PART No.	SPRAGUE PART No.
C1	30	3	856031	BCD8025	NLW30-6	MT1-13	TT6X30	MLV30-6	TE-1092
C2	5	3	856028		NLW5-15	MT1-3	TT6X5	MLV5-3	TE-1052.2
C3	5	3	856028		NLW5-15	MT1-3	TT6X5	MLV5-3	TE-1052.2
C4	5	6	856030		NLW5-15	MT1-3	TT6X5	MLV5-6	TE-1084
C5	10	3	856029		NLW10-6	MT1-5	TT3X10	MLV10-3	TE-1053
C6	30	6	856027	BCD6025	NLW30-6	MT1-13	TT6X30	MLV30-6	TE-1092
C7	30	6	856027	BCD6025	NLW30-6	MT1-13	TT6X30	MLV30-6	TE-1092
C8	30	6	856027	BCD6025	NLW30-6	MT1-13	TT6X30	MLV30-6	TE-1092
C9	30	6	856027	BCD6025	NLW30-6	MT1-13	TT6X30	MLV30-6	TE-1092

FIXED CAPACITORS

ITEM No.	RATING	REMARKS	REPLACEMENT DATA					
			AEROVOX PART No.	CENTRALAB PART No.	CORNELL-DUBILIER PART No.	ELMENCO PART No.	MALLORY PART No.	SPRAGUE PART No.
C10	.047			DA-503	H-05S5		TA-150	TG-S50
C11	.047			DA-503	H-05S5		TA-150	TG-S50
C12	.01		BPD-01	DM-103	H-05S1	CCD-103	TA-110	TG-S10
C13	.022			DA-203	H-05S2	CCD-203	TA-120	TG-S20
C14	.04			DA-503	H-05S5		TA-150	TG-S50
C15	4.7mmf		NPO-DI 4.7	DTZ-4R7	C10V47C	CCTO-4R7	CNO-547	10TCC-V47
C16	.04			DA-503	H-05S5		TA-150	TG-S50
C17	.04			DA-503	H-05S5		TA-150	TG-S50
C18	.04			DA-503	H-05S5		TA-150	TG-S50
C19	.04			DA-503	H-05S5		TA-150	TG-S50
C20	4.7mmf		NPO-DI 4.7	DTZ-4R7	C10V47C	CCTO-4R7	CNO-547	10TCC-V47
C21	.04			DA-503	H-05S5		TA-150	TG-S50

CHASSIS—TOP VIEW



PARTS LIST AND DES

FIXED CAPACITORS (cont)

ITEM No.	RATING	REMARKS	REPLACEMENT DATA						
			AEROVOX PART No.	CENTRALAB PART No.	CORNELL-DUBILIER PART No.	ELMENCO PART No.	MALLORY PART No.	SPRAGUE PART No.	
C22	.04	Note 1		DA-503	H-05S5		TA-150	TG-S50	
C23	.02			DA-203	H-05S2	CCD-203	TA-120	TG-S20	
C24	.02			DA-203	H-05S2	CCD-203	TA-120	TG-S20	
C25	.001			BPD-001	DM-102	H-05D1	CCD-102	GP210	5HK-D10
C26	.01			BPD-01	DM-103	H-05S1	CCD-103	TA-110	TG-S10
C27	.02				DA-203	H-05S2	CCD-203	TA-120	TG-S20

Note 1. Not used in some versions.

CONTROLS

ITEM No.	RATING		REPLACEMENT DATA				INSTALLATION NOTES	
	RESISTANCE	WATTS	HOFFMAN PART No.	CENTRALAB PART No.	CLAROSTAT PART No.	CTS-IRC PART No.		MALLORY PART No.
R1	5000Ω	1/4	800098					Volume & Switch

RESISTORS

All wattages 1/2 watt, or less, unless otherwise listed.

ITEM No.	RATING	REPLACEMENT DATA			ITEM No.	RATING	REPLACEMENT DATA		
		IRC PART No.	WORKMAN TV PART No.	REMARKS			IRC PART No.	WORKMAN TV PART No.	REMARKS
R2	5000Ω				R18	500Ω			
R3	30K				R19	30K			
R4	2000Ω				R20	5000Ω			
R5	500Ω				R21	1000Ω			
R6	5000Ω				R22	2200Ω			
R7	33K				R23	2200Ω			
R8	1000Ω				R24	27K			
R9	120Ω				R25	500Ω			
R10	10K				R26	50K			
R11	5000Ω				R27	50Ω			
R12	1200Ω				R28	5500Ω			
R13	500Ω				R29	330Ω			
R14	500Ω				R30	Thermistor			Pt. #834003
R15	30K				R31	10Ω			
R16	680Ω				R32	100Ω			
R17	500Ω				R33	100Ω			
					R34	5000Ω			Note 1

Note 1. Not used in some versions.

COILS (RF-IF)

ITEM No.	USE	REPLACEMENT DATA					NOTES
		HOFFMAN PART No.	Merit PART No.	Miller PART No.	Stancor PART No.	Workman TV PART No.	
L1	Loopstick	924008					
L2	Osc.	768023					
L3	1st IF	760027					
L4	2nd IF	760028					
L5	3rd IF	760029					

TRANSFORMER (DRIVER)

ITEM No.	TURNS RATIO		REPLACEMENT DATA					NOTES
	PRI.	SEC.	HOFFMAN PART No.	Merit PART No.	Stancor PART No.	Thordarson PART No.	Triod PART No.	
T1	1.4	1	726008					

DESCRIPTIONS (Continued)

TRANSFORMER (AUDIO OUTPUT)

ITEM No.	IMPEDANCE		REPLACEMENT DATA				NOTES	
			HOFFMAN PART No.	Merit PART No.	Stancor PART No.	Thordarson PART No.		Triad PART No.
	PRI.	SEC.						
T2	400Ω CT	10-12Ω	724044					

SPEAKER

ITEM No.	TYPE			REPLACEMENT DATA		NOTES
				HOFFMAN PART No.	QUAM PART No.	
	SIZE	FIELD	V. C. IMP.			
SP1	2 1/4"	PM	10-12Ω	708023		

BATTERIES

ITEM No.	VOLTAGE	HOFFMAN PART No.	REPLACEMENT DATA				NOTES		
			BURGESS		EVEREADY			MALLORY	
			"A"	"B"	"A"	"B"		"A"	"B"
M1	1.5V	UM-3A		990		1015		M-15R	4 Required

SIGNAL DIODES

ITEM No.	ORIG. TYPE	REPLACEMENT DATA			NOTES
		HOFFMAN PART No.	GENERAL ELECTRIC PART No.	RAYTHEON PART No.	
M2	1N34A	742004		1N60	Detector

MISCELLANEOUS

ITEM No.	PART NAME	HOFFMAN PART No.	NOTES
M3	Tuning Cap.	872019	2 Gang

CABINETS & CABINET PARTS

(When Ordering Cabinets & Cabinet Parts, Specify Model, Chassis & Color)

NAME	PART NO.	DESCRIPTION
Knob	512031	Tuning
Knob	512030	Volume
Cabinet Back	371086	Model BP708
Cabinet Front	363056	Model BP708
Cabinet Back	371086	Model OP708
Cabinet Front	363055	Model OP708
Cabinet Back	371085	Model KP708
Cabinet Front	363054	Model KP708
Leather Case	426036	Black
Leather Case	426036	Brown
Leather Case	426039	Earphone, Black

WIRING DATA

General-use Unshielded Hook-up Wire Use BELDEN No. 8530 (Solid) Available in Ten Colors
8524 (Stranded) Available in Ten Colors