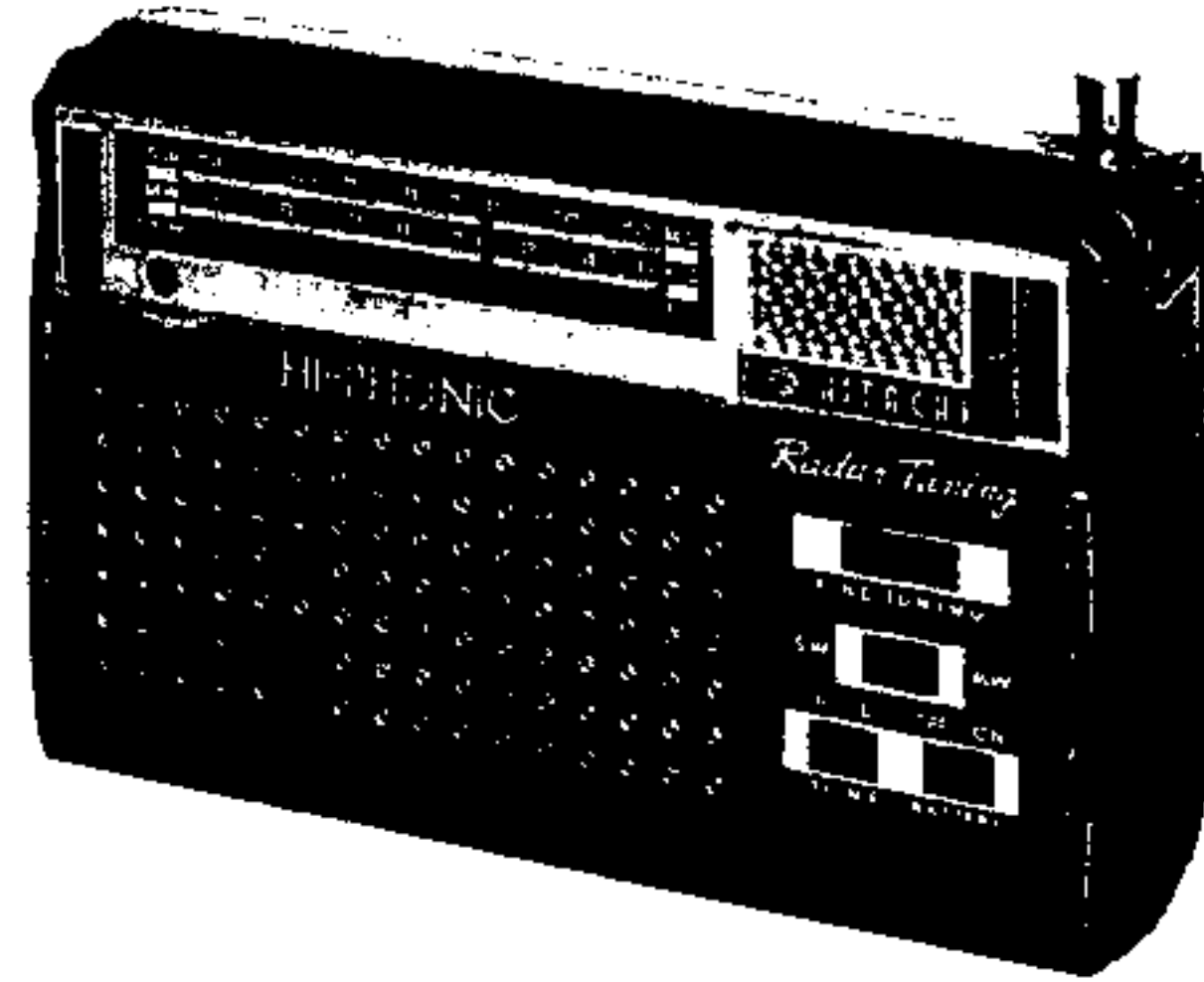




PHOTOFACT[®] with

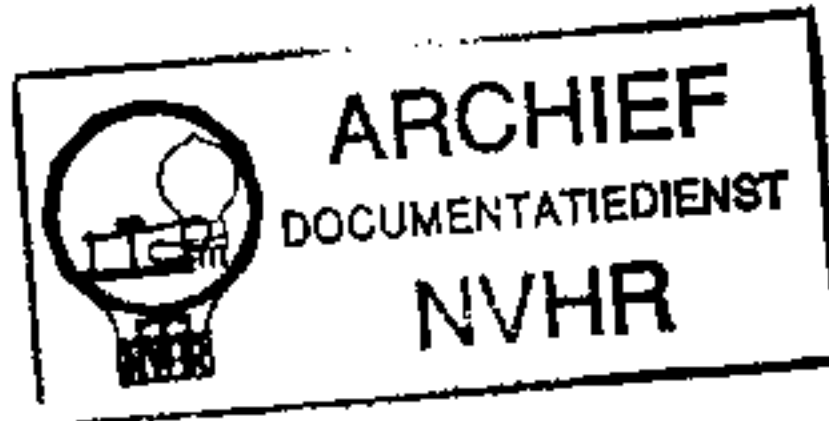
CIRCUITRACE[®]

Met dank aan Jef Bos



TRADE NAME: Hitachi Model WH-889R
 SUPPLIER: For Current Address, see Master Index
 TYPE SET: 8-Transistor AM-SW Receiver
 POWER SUPPLY: 6 Volts DC
 RATING: 10MA @ 6VDC (No Signal, Min. Volume)
 20MA @ 6VDC (Signal, Normal Volume)
 TUNING RANGE: BROADCAST 540 - 1620KC
 SHORT WAVE 3.8 - 12MC

Ned. Ver. v. Historie v/d Radio



ALIGNMENT INSTRUCTIONS

Check for specified source voltage. Set Volume control at maximum.
 Fashion loop of several turns of wire and connect generator across loop.
 Adjust output of generator to radiate only enough signal into receiver to obtain a suitable indication.
 Suggested Alignment Tools:
 A1, A2, A3.....GENERAL CEMENT #9087.....WALSCO #2528
 A4, A5, A6, A8, A9, A10.....GENERAL CEMENT #8605.....WALSCO #2505

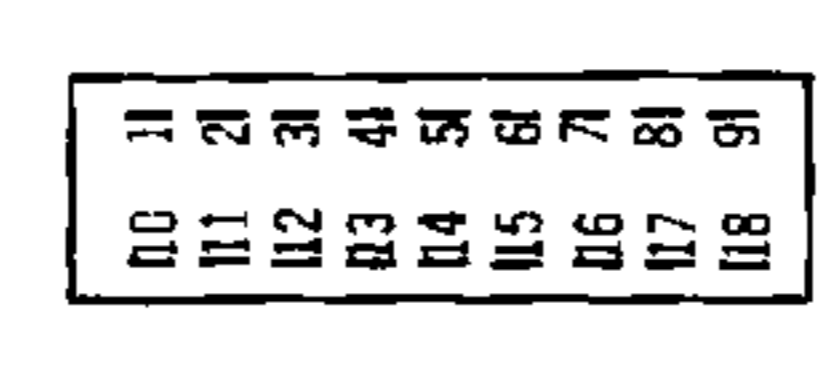
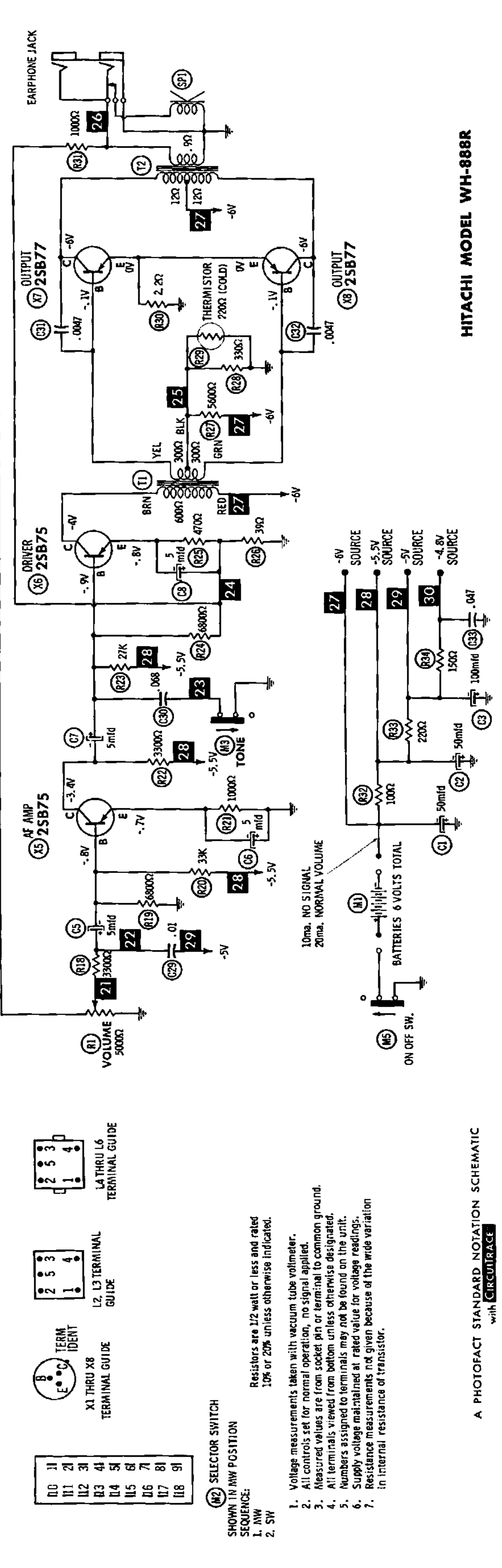
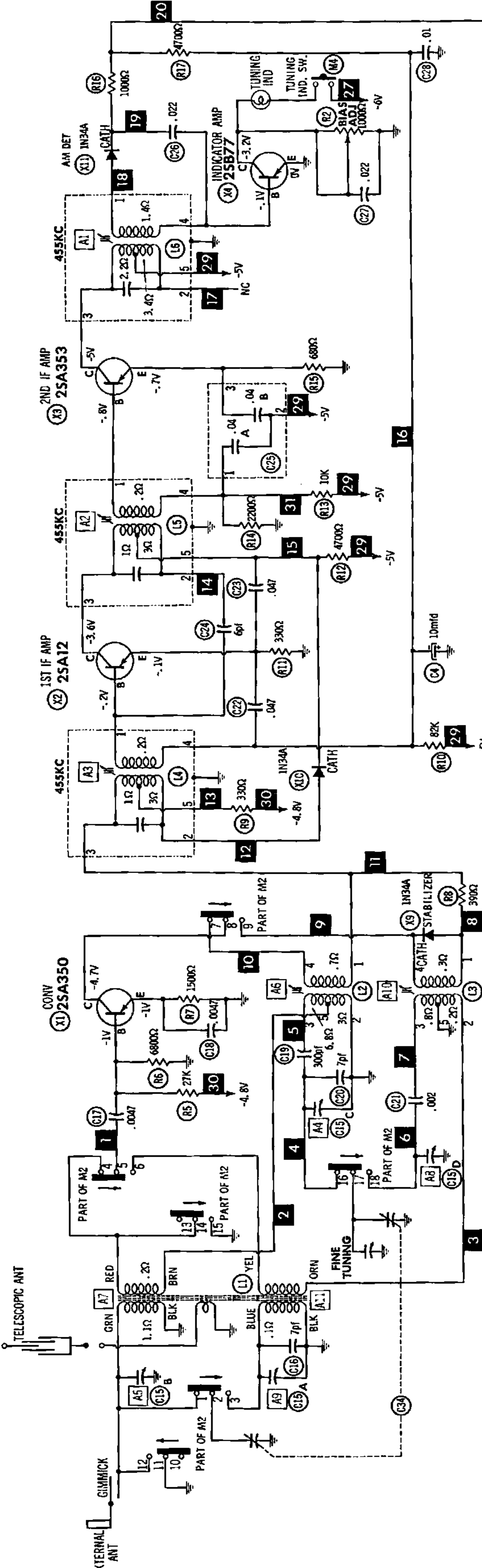
SELECTOR IN MW

	GENERATOR FREQUENCY	DIAL SETTING	INDICATOR	ADJUST	REMARKS
1.	455KC (400v Mod.)	Tuning gang fully open.	Output Meter across Voice coil.	A1, A2, A3	Adjust for maximum. Repeat until no further improvement can be made.
2.	1620KC	"	"	A4	Adjust for maximum.
3.	1400KC	Tune to signal.	"	A5	Adjust for maximum.
4.	600KC	"	"	A6, A7	Rock tuning gang and adjust for maximum. Repeat steps 2 thru 4 until no further improvement can be made. Adjust A7 by sliding coil on ferrite rod.

SELECTOR IN SW

5.	12MC	Tuning gang fully open.	"	A8, A9	Adjust for maximum.
6.	3.8MC	Tuning gang fully closed.	"	A10, A11	Adjust for maximum. Repeat steps 5 and 6. Adjust A11 by sliding coil on ferrite rod.

HOWARD W. SAMS & CO., INC. Indianapolis 6, Indiana

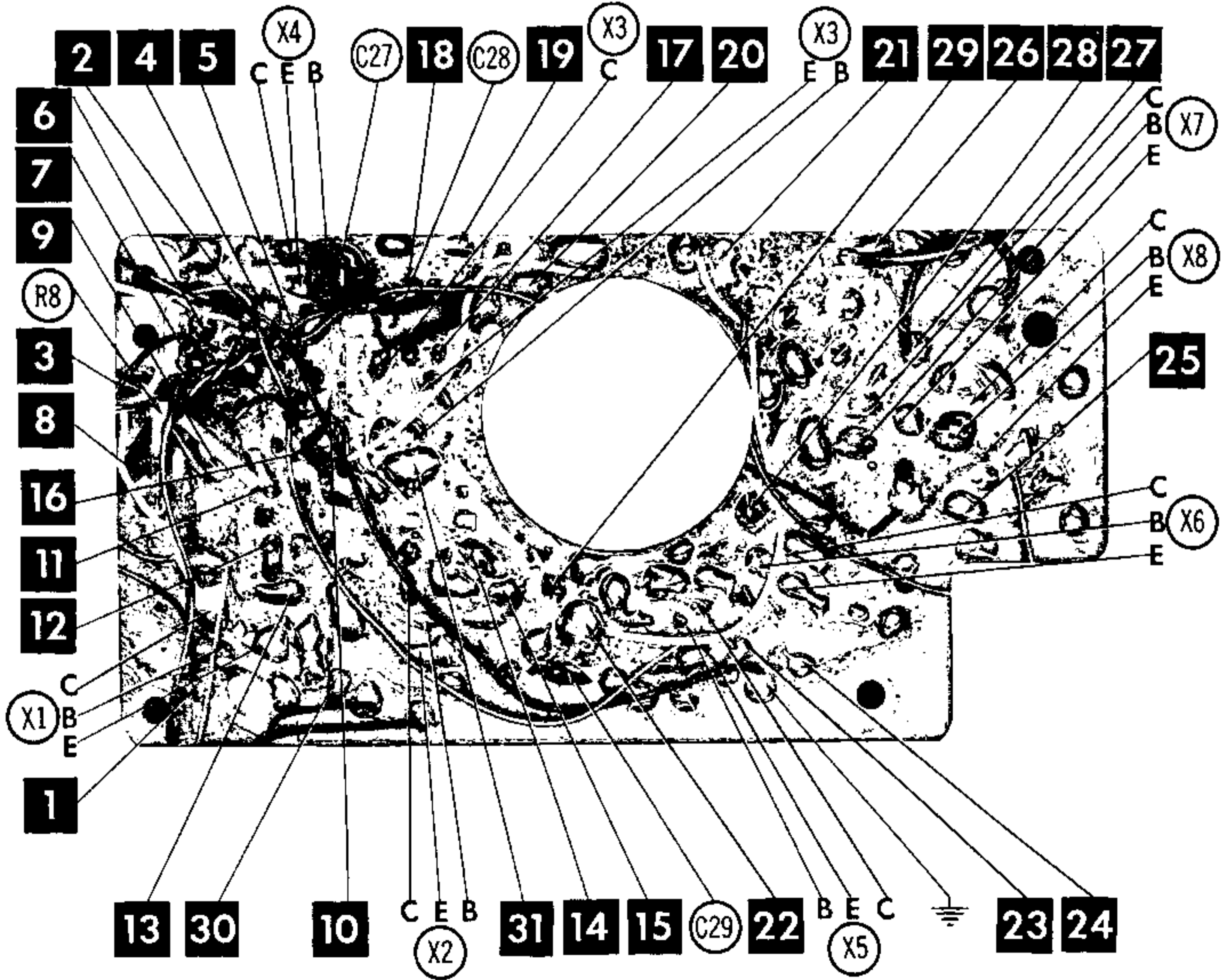
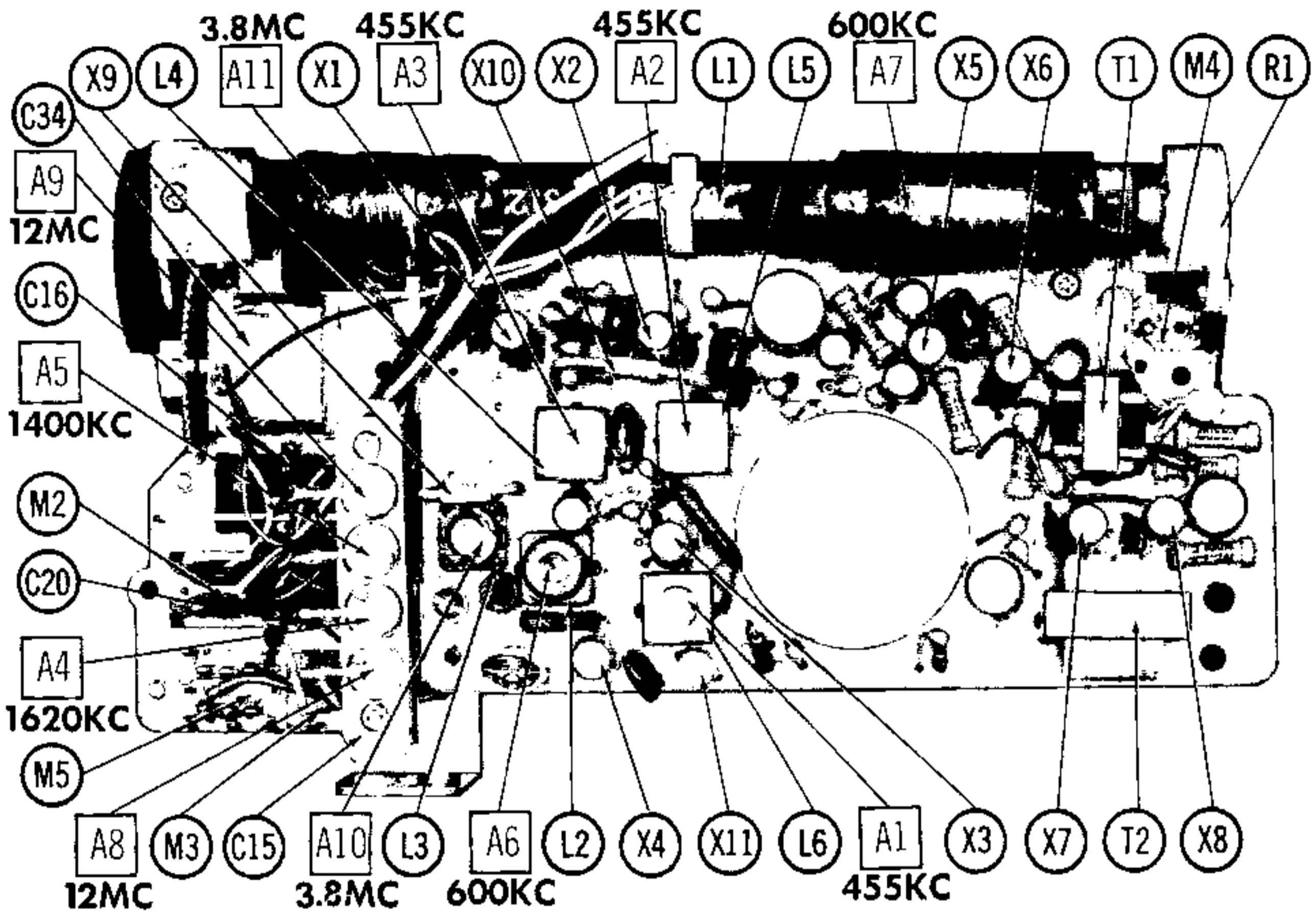


M2 SELECTOR SWITCH SHOWN IN MW POSITION SEQUENCE:
1. MW
2. SW

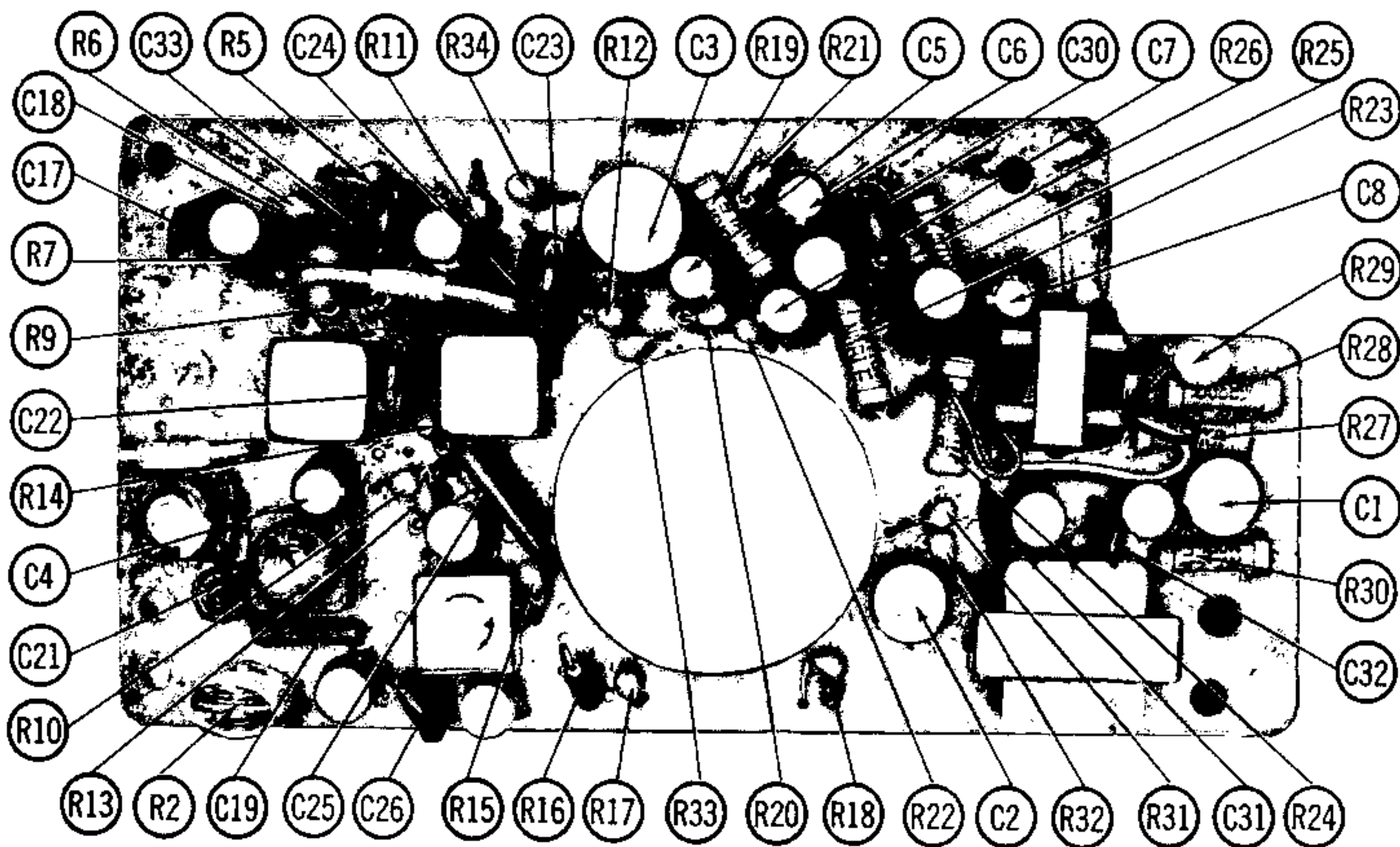
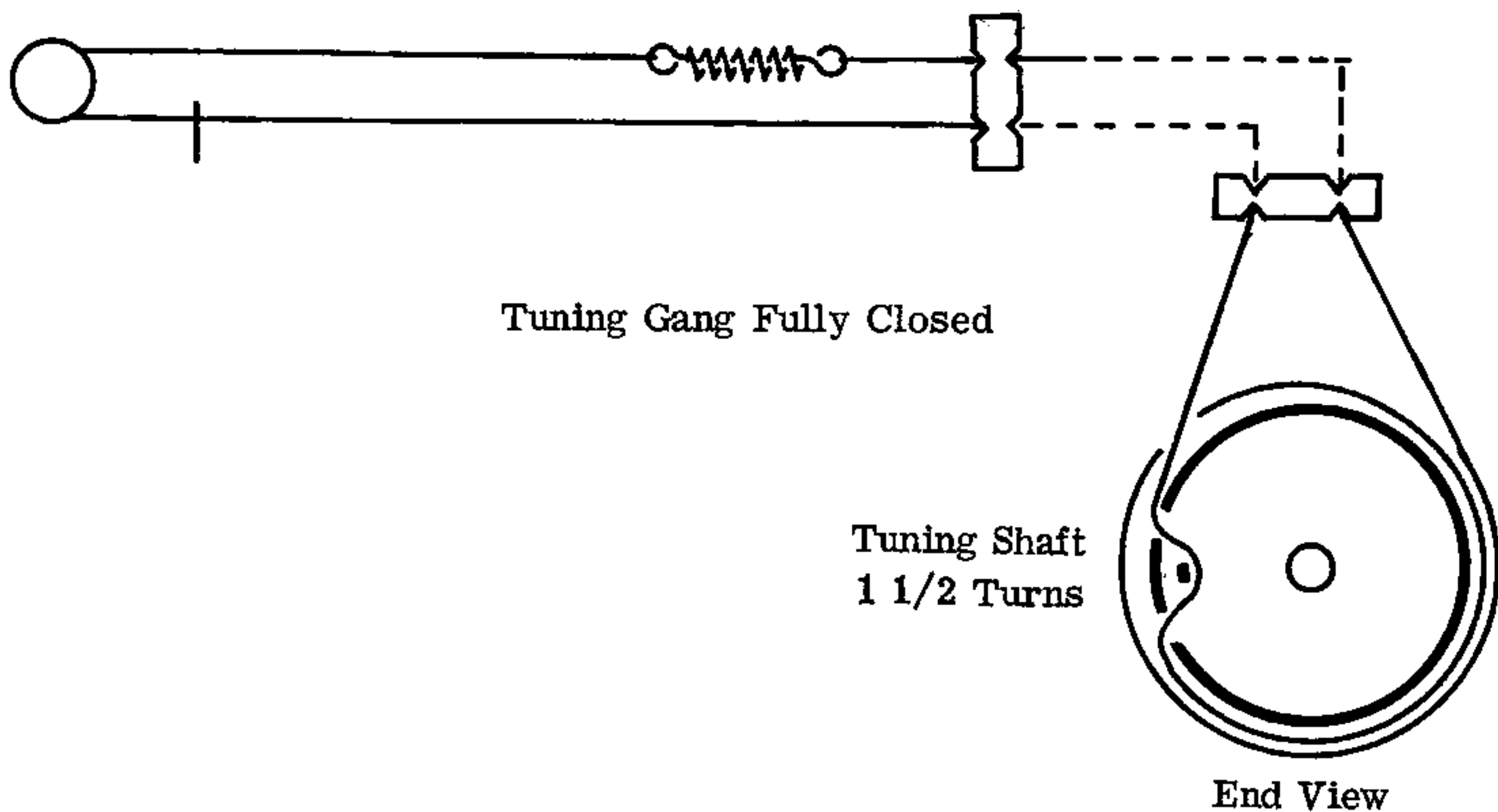
1. Voltage measurements taken with vacuum tube voltmeter.
2. All controls set for normal operation, no signal applied.
3. Measured values are from socket pin or terminal to common ground.
4. All terminals viewed from bottom unless otherwise designated.
5. Numbers assigned to terminals may not be found on the unit.
6. Supply voltage maintained at rated value for voltage readings.
7. Resistance measurements not given because of the wide variation in internal resistance of transistor.

Resistors are 1/2 watt or less and rated 10% or 20% unless otherwise indicated.

A PHOTOFACT STANDARD NOTATION SCHEMATIC with CIRCUITACE
© Howard W Sams & Co., Inc. 1965



DIAL CORD



PARTS LIST AND DESCRIPTION

TRANSISTORS

ITEM No.	ORIG. TYPE	USE	REPLACEMENT DATA			NOTES
			DELCO PART No.	GENERAL ELECTRIC PART No.	RCA PART No.	
X1	2SA350	Conv.	DS-25	GE-1	SK-3008	PNP
X2	2SA12	1st IF Amp.	DS-25	GE-1	SK-3005	PNP
X3	2SA353	2nd IF Amp.	DS-25	GE-1	SK-3008	PNP
X4	2SB77	Tuning Ind. Amp.	DS-26	GE-2	SK-3004	PNP
X5	2SB75	AF Amp.	DS-26	GE-2	SK-3004	PNP
X6	2SB75	Driver	DS-26	GE-2	SK-3004	PNP
X7	2SB77	Output	DS-26	GE-2	SK-3004	PNP
X8	2SB77	Output	DS-26	GE-2	SK-3004	PNP

POWER RECTIFIERS & SIGNAL DIODES

ITEM No.	MEASURED CURRENT	ORIGINAL Part or Type No.	RECTIFIERS				DIODES
			GENERAL ELECTRIC PART No.	MALLORY PART No.	RCA PART No.	SARKES TARZIAN PART No.	GENERAL ELECTRIC PART No.
X9		1N34A					1N34AS
X10		1N34A					1N34AS
X11		1N34A					1N34AS

ELECTROLYTIC CAPACITORS

ITEM No.	RATING		REPLACEMENT DATA					
	CAP.	VOLT.	HITACHI PART No.	AEROVOX PART No.	CORNELL-DUBILIER PART No.	GENERAL ELECTRIC PART No.	MALLORY PART No.	SPRAGUE PART No.
C1	50	6		BCD6006	NLW50-15	MT1-16	TT10X50	
C2	50	6		BCD6006	NLW50-15	MT1-16	TT10X50	
C3	100	6		TTC140 ①	NLW75-10		TT6X100	
C4	10	3		CRE207A	NLW10-3	MT1-5	TT3X10	TE-1053
C5	5	3		CRE204A	NLW5-15	MT1-3	TT3X5	TE-1052.2
C6	5	3		CRE204A	NLW5-15	MT1-3	TT3X5	TE-1052.2
C7	5	3		CRE204A	NLW5-15	MT1-3	TT3X5	TE-1052.2
C8	5	3		CRE204A	NLW5-15	MT1-3	TT3X5	TE-1052.2

① Use 2 in parallel.

FIXED CAPACITORS

ITEM No.	RATING	REMARKS	REPLACEMENT DATA					
			AEROVOX PART No.	CENTRALAB PART No.	CORNELL-DUBILIER PART No.	ELMENCO PART No.	MALLORY PART No.	SPRAGUE PART No.
C15A								
B								
C								
D								
C16	7		NPO-DI 6.8	DTZ-6R8	C10V68C	CCTO-6R8	CNO568	10TCC-V68
C17	.0047		TTD-005	CK-502	H1		TA250	TG-D50
C18	.0047		TTD-005	CK-502	H1		TA250	TG-D50
C19	300 N750 5%			TCN-300	C10T3U	CCTN-301		10TCU-T30
C20	7		NPO-DI 6.8	DTZ-6R8	C10V68C	CCTO-6R8	CNO568	10TCC-V68
C21	.002			CPR-2000J				
C22	.047			CK-503	H5		TA150	TG-S50
C23	.047			CK-503	H5		TA150	TG-S50
C24	6							10TCC-V58
C25A	.04			DD-403				
B	.04			DD-403				
C26	.022			CK-203	H3		TA120	TG-S20
C27	.022			CK-203	H3		TA120	TG-S20
C28	.01			CK-103	H2		TA110	TG-S10
C29	.01			CK-103	H2		TA110	TG-S10
C30	.068							
C31	.0047			CK-502	H1		TA250	TG-D50
C32	.0047			CK-502	H1		TA250	TG-D50
C33	.048			CK-503	H5		TA150	TG-S50
C34								

CONTROLS

All wattages 1/2 watt, or less, unless otherwise listed.

ITEM No.	USE	RESISTANCE	REPLACEMENT DATA				
			HITACHI PART No.	CENTRALAB PART No.	CLAROSTAT PART No.	CTS-IRC PART No.	MALLORY PART No.
R1	Volume	5000Ω					
R2	Bias, Indicator	1000Ω				X201R102B	MTC13L1

RESISTORS (Power and Special)

ITEM No.	RATING	REPLACEMENT DATA			ITEM No.	RATING	REPLACEMENT DATA		
		IRC PART No.	WORKMAN PART No.	REMARKS			IRC PART No.	WORKMAN PART No.	REMARKS
R29	220Ω(Cold)		GM220						

PARTS LIST AND DESCRIPTION (CONTINUED)

COILS (RF-IF)

ITEM No.	USE	REPLACEMENT DATA					
		HITACHI PART No.	MEISSNER PART No.	MERIT PART No.	MILLER PART No.	STANCOR PART No.	WORKMAN PART No.
L1	MW/SW Loopstick	(T312241)					
L2	MW Osc.	(6104)					
L3	SW Osc.	(7057)					
L4	1st IF	(20/03)	16-9026	BC-574	2066	RTC-9266	
L5	2nd IF	(20/03)	16-9027	BC-575	2067	RTC-9267	
L6	3rd IF	(2003)	16-9028	BC-576	2068	RTC-9268	

TRANSFORMER (DRIVER)

ITEM No.	TURNS RATIO		REPLACEMENT DATA					NOTES
			HITACHI PART No.	MERIT PART No.	STANCOR PART No.	THORDARSON PART No.	TRIAD PART No.	
	PRI.	SEC.						
T1	1.5	1	(CT-65)					

TRANSFORMER (AUDIO OUTPUT)

ITEM No.	IMPEDANCE		REPLACEMENT DATA					NOTES
			HITACHI PART No.	MERIT PART No.	STANCOR PART No.	THORDARSON PART No.	TRIAD PART No.	
	PRI.	SEC.						
T2	128Ω CT	8Ω	(451054)					

SPEAKER

ITEM No.	TYPE	REPLACEMENT DATA		NOTES
		HITACHI PART No.	QUAM PART No.	
SP1	2 1/2" x 3 1/2" PM 6-8Ω			

BATTERIES

ITEM No.	VOLTAGE	HITACHI PART No.	REPLACEMENT DATA			NOTES
			BURGESS	EVEREADY	MALLORY	
M1	6V		930 or AL9 or Hg9	1015 or E91 or E9	M15R or Mn1500 or ZM9	4 Required

MISCELLANEOUS

ITEM No.	PART NAME	HITACHI PART No.	NOTES
M2	Switch, Selector		
M3	Switch, Tone		
M4	Switch, Tuning Ind.		
M5	Switch, On-Off		

WIRING DATA

General-use Unshielded Hook-up Wire	Use BELDEN No. 8530 (Solid 22AWG)	Available
	8524 (Stranded 22AWG)	in
	8570 (Stranded 28AWG)	12 Colors