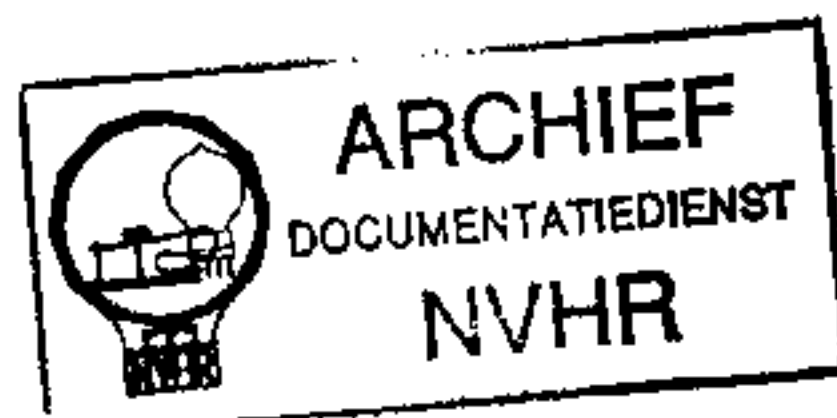


Met dank aan Jef Bos

TRADE NAME : Hitachi Model WH-829M
 SUPPLIER : The Sampson Co., Electronics Div.,
 2244 S. Western Ave., Chicago 81, Ill.
 TYPE SET : 9 Transistor BC-SW Receiver
 POWER SUPPLY : 4.5 Volts DC
 RATING : 12MA @ 4.5VDC (No Signal, Min. Volume)
 25MA @ 4.5VDC (Signal, Normal Volume)
 TUNING RANGE : BROADCAST 535 - 1620KC
 MARINE 1.6 - 4.5MC

Ned. Ver. v. Historie v/d



ALIGNMENT INSTRUCTIONS

Check for specified source voltage.

Fashion loop of several turns of wire and connect generator across loop.

Adjust output of generator to radiate only enough signal into receiver to obtain a suitable indication.

Suggested Alignment Tools:

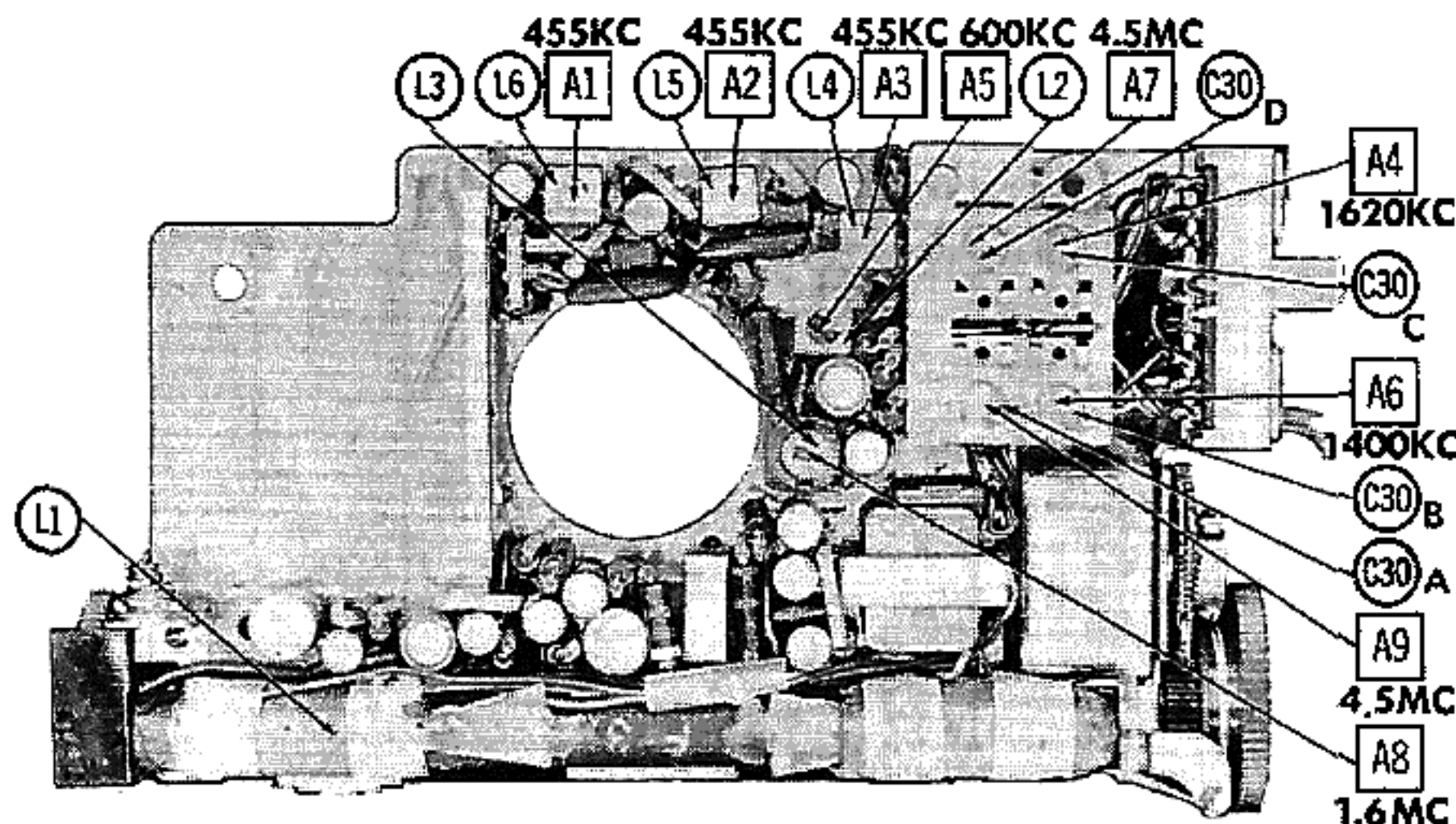
A1, A2, A3, A5, A8..... GENERAL CEMENT #5067, 8282, 8606..... WALSCO #2526, 2543
 A6, A7, A9..... GENERAL CEMENT #5000, 5066, 8290..... WALSCO #2525

BROADCAST -- SELECTOR IN MW POSITION

	SIGNAL GENERATOR FREQUENCY	RADIO DIAL SETTING	INDICATOR	ADJUST	REMARKS
1.	455KC (400% Mod.)	Tuning gang fully open.	Output Meter across voice coil.	A1, A2, A3	Adjust for maximum. Repeat as required.
2.	1620KC	"	"	A4	Adjust for maximum.
3.	600KC	Tune to Signal.	"	A5	Rock tuning gang and adjust for maximum. Repeat steps 2 and 3.
4.	1400KC	"	"	A6	Adjust for maximum.

MARINE -- SELECTOR IN MB POSITION

5.	4.5MC	4.5MC	"	A7	Adjust for maximum.
6.	1.6MC	1.6MC	"	A8	Adjust for maximum. Repeat steps 5 and 6.
7.	4.5MC	4.5MC	"	A9	Adjust for maximum.



TRANSISTORS

ITEM No.	ORIG. TYPE	USE	REPLACEMENT DATA			NOTES
			DELCO PART No.	GENERAL ELECTRIC PART No.	RCA PART No.	
X1	2SA132	BC Conv. -SW Mixer	DS-25	GE-1		PNP
X2	2SA131	SW Oscillator	DS-25	GE-1		PNP
X3	2SA12	1st IF Amplifier	DS-25	GE-1		PNP
X4	2SA12	2nd IF Amplifier	DS-25	GE-1		PNP
X5	2SB75	AF Amplifier	DS-26	GE-2	2N408	PNP
X6	2SB75	Driver	DS-26	GE-2	2N408	PNP
X7	HV16	Bias Regulator			1N2326	PNP (Diode Connected)
X8	2SB156	Output	DS-26	GE-2	2N408	PNP
X9	2SB156	Output	DS-26	GE-2	2N408	PNP

ELECTROLYTIC CAPACITORS

ITEM No.	RATING		REPLACEMENT DATA						
	CAP.	VOLT.	HITACHI PART No.	AEROVOX PART No.	CORNELL-DUBILIER PART No.	GENERAL ELECTRIC PART No.	GENERAL INSTRUMENT PART No.	MALLORY PART No.	SPRAGUE PART No.
C1	50	6		BCD6050	NLW50-15	MT1-16			
C2	50	6		BCD6050	NLW50-15	MT1-16			
C3	50	6		BCD6050	NLW50-15	MT1-16			
C4	50	6		BCD6050	NLW50-15	MT1-16			
C5	5	6		BCD6005	NLW5-15	MT1-3			TE-1084
C6	3	10		BCD12003	NLW3-15	MT1-3			TE-1122
C7	3	10		BCD12003	NLW3-15	MT1-3			TE-1122
C8	3	10		BCD12003	NLW3-15	MT1-3			TE-1122
C9	3	10		BCD12003	NLW3-15	MT1-3			TE-1122
C10	30	6		BCD6025	NLW30-15	MT1-13			

FIXED CAPACITORS

ITEM No.	RATING	REMARKS	REPLACEMENT DATA					
			AEROVOX PART No.	CENTRALAB PART No.	CORNELL-DUBILIER PART No.	ELMENCO PART No.	MALLORY PART No.	SPRAGUE PART No.
C11	5		NPO-SI 5.0	TCZ-4R7	C10V5C	CCTO-050	CNO-547	10TCC-V50
C12	.005		TTD-005	CK-502	H1		TA-250	TG-D50
C13	300		SI 300	D6-301	L10T3	CCD-301	GP330	10TS-T30
C14	6							
C15								
C16	100		SI 100	D6-101	L10T1	CCD-101	GP310	10TS-T10
C17	.02		TTD-02	CK-209	H3		TA-120	TG-S20
C18	.002			DM-202				
C19	.005		TTD-005	CK-502	H1		TA-250	TG-D50
C20	6		NPO-SI 6.8	TCZ-6R8	C10V68C	CCTO-6R8	CNO-568	10TCC-V68
C21A	.04		TTD-05	CK-503	H5		TA-150	TG-S50
B	.04		TTD-05	CK-503	H5		TA-150	TG-S50
C22	3		NPO-SI 3.0	TCZ-3R3	C10V3C	CCTO-3R3	CNO-533	10TCC-V33
C23A	.04		TTD-05	CK-503	H5		TA-150	TG-S50
B	.04		TTD-05	CK-503	H5		TA-150	TG-S50
C24	.01		TTD-01	CK-103	H2		TA-110	TG-S10
C25	.01		TTD-01	CK-103	H2		TA-110	TG-S10
C26	.001			DM-102	H05D1			
C27	.005		TTD-005	CK-502	H1		TA-250	TG-D50
C28	.01		TTD-01	CK-103	H2		TA-110	TG-S10
C29	.01		TTD-01	CK-103	H2		TA-110	TG-S10
C30A								
B								
C								
D								

CONTROLS

All wattages 1/2 watt, or less, unless otherwise listed.

ITEM No.	USE	RESISTANCE	REPLACEMENT DATA					
			HITACHI PART No.	CENTRALAB PART No.	CLAROSTAT PART No.	CTS-IRC PART No.	MALLORY PART No.	
R1	Volume & Switch Use Original Knob.	5000 Ω	(36.11A)	B16-216 $\text{\textcircled{C}}$				

DESCRIPTION

COILS (RF-IF)

ITEM No.	USE	REPLACEMENT DATA					NOTES
		HITACHI PART No.	MERIT PART No.	MILLER PART No.	STANCOR PART No.	WORKMAN PART No.	
L1	Loopstick						
L2	BC Osc.		BC-572	2060	RTC-9261		
L3	SW Osc.						
L4	1st IF		BC-569	2061	RTC-9262		
L5	2nd IF		BC-570	2062	RTC-9263		
L6	3rd IF		BC-571	2063	RTC-9264		

TRANSFORMER (DRIVER)

ITEM No.	TURNS RATIO		REPLACEMENT DATA				NOTES
	PRI.	SEC.	HITACHI PART No.	MERIT PART No.	STANCOR PART No.	THORDARSON PART No.	
T1	1, 2	1					

TRANSFORMER (AUDIO OUTPUT)

ITEM No.	IMPEDANCE		REPLACEMENT DATA				NOTES
	PRI.	SEC.	HITACHI PART No.	MERIT PART No.	STANCOR PART No.	THORDARSON PART No.	
T2	160Ω CT	10-12Ω					

SPEAKER

ITEM No.	TYPE	REPLACEMENT DATA		NOTES
		HITACHI PART No.	QUAM PART No.	
SP1	2½" x 3½" PM 10-12Ω	526007		

BATTERIES

ITEM No.	VOLTAGE	HITACHI PART No.	REPLACEMENT DATA			NOTES
			BURGESS	EVEREADY	MALLORY	
M1	4.5	UM-3	930 (or AL-9, Hg-9)	1015 (or E91, E9)	M-15R (or MNI500, ZM-9)	3 Required

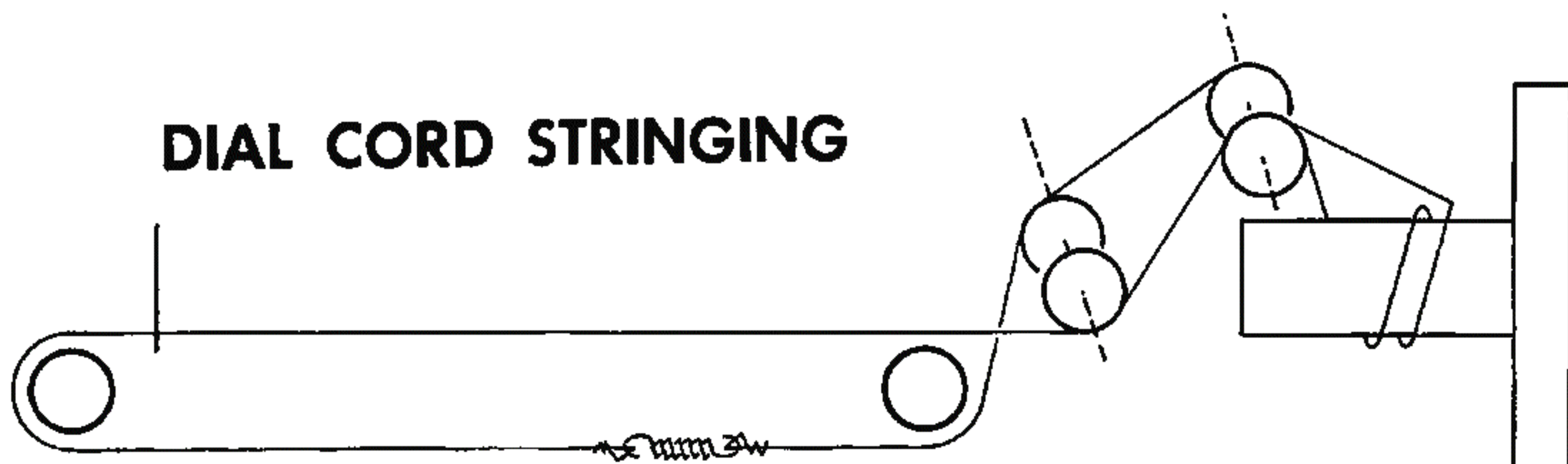
MISCELLANEOUS

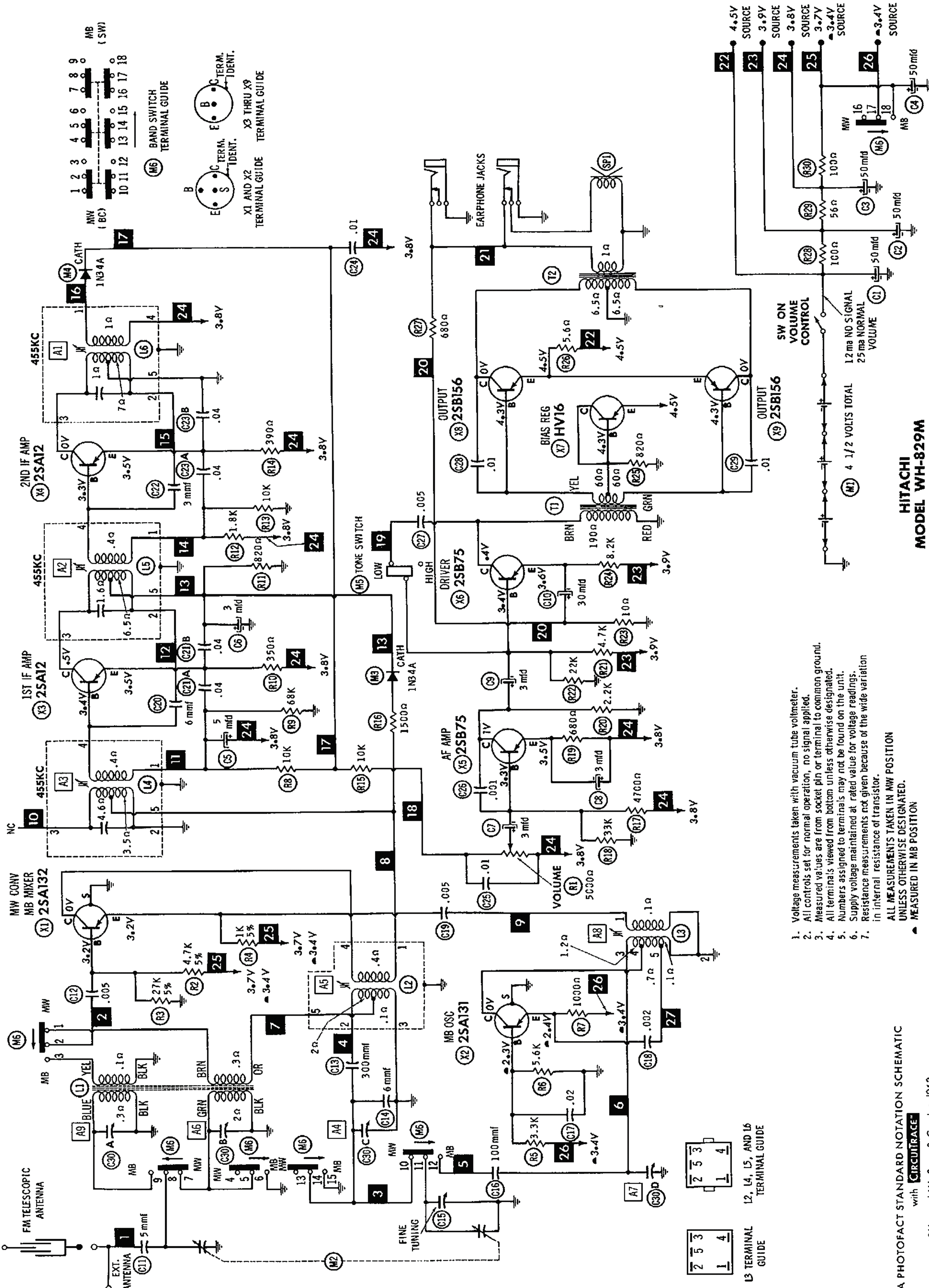
ITEM No.	PART NAME	HITACHI PART No.	NOTES
M2	Tuning Cap.		
M3	Overload (1N34A)		
M4	Detector (1N34A)		
M5	Switch - Tone		
M6	Switch - Band		

WIRING DATA

General-use Unshielded Hook-up Wire Use BELDEN No. 8530 (Solid 22AWG) Available in 12 Colors
 8524 (Stranded 22AWG)
 8570 (Stranded 26AWG)

DIAL CORD STRINGING





1. Voltage measurements taken with vacuum tube voltmeter.
2. All controls set for normal operation, no signal applied.
3. Measured values are from socket pin or terminal to common ground.
4. All terminals viewed from bottom unless otherwise designated.
5. Numbers assigned to terminals may not be found on the unit.
6. Supply voltage maintained at rated value for voltage readings.
7. Resistance measurements not given because of the wide variation in internal resistance of transistor.

ALL MEASUREMENTS TAKEN IN MW POSITION
UNLESS OTHERWISE DESIGNATED.
MEASURED IN MB POSITION

A PHOTOFAC T STANDARD NOTATION SCHEMATIC
with **CIRCUITRA**
©Howard W. Sams & Co., Inc. 1963

HITACHI
MODEL WH-829M

