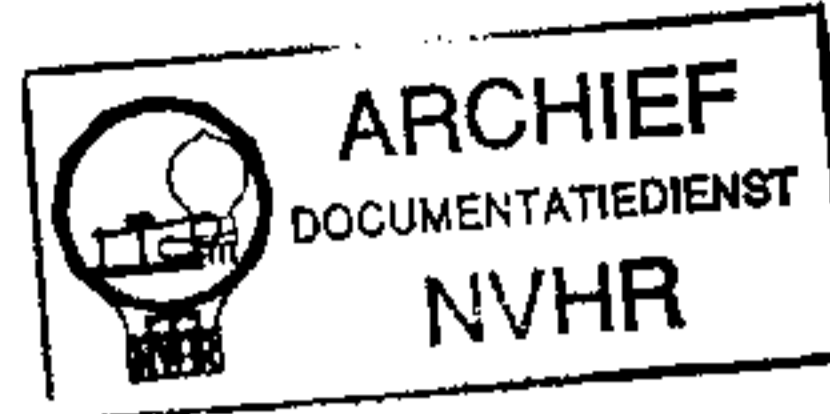
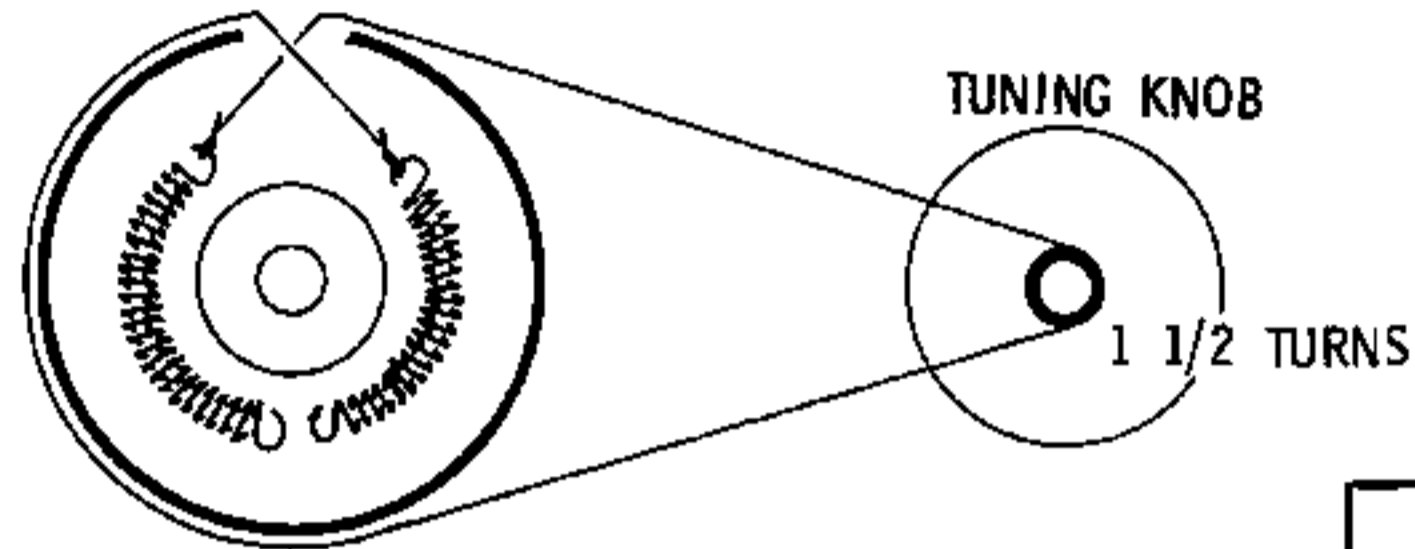


Met dank aan Jef Bos Ned. Ver. v. Historie v/d Radio



DRIVE CORD STRINGING

TUNING GANG FULLY CLOCKWISE



FRONT VIEW

TRADE NAME	Hitachi Model WH-761SB
IMPORTER	Electronic Utilities Co., Div. of the Sampson Co., 2244 S. Western Ave., Chicago 8, Illinois
TYPE SET	Battery Operated Transistorized Portable BC-SW Receiver
POWER SUPPLY	9 Volts DC
TUNING RANGE—BROADCAST	540—1600KC
	RATING 5MA@9 Volts DC (No Signal, Min. Volume) 12MA@9 Volts DC (Signal, Normal Volume)
	SHORT WAVE 3.8 — 12MC

ALIGNMENT INSTRUCTIONS

ALIGNMENT INSTRUCTIONS—READ CAREFULLY BEFORE ATTEMPTING ALIGNMENT

Volume control should be at maximum position. Output of signal generator should be no higher than necessary to obtain an output reading.

Suggested Alignment Tools:

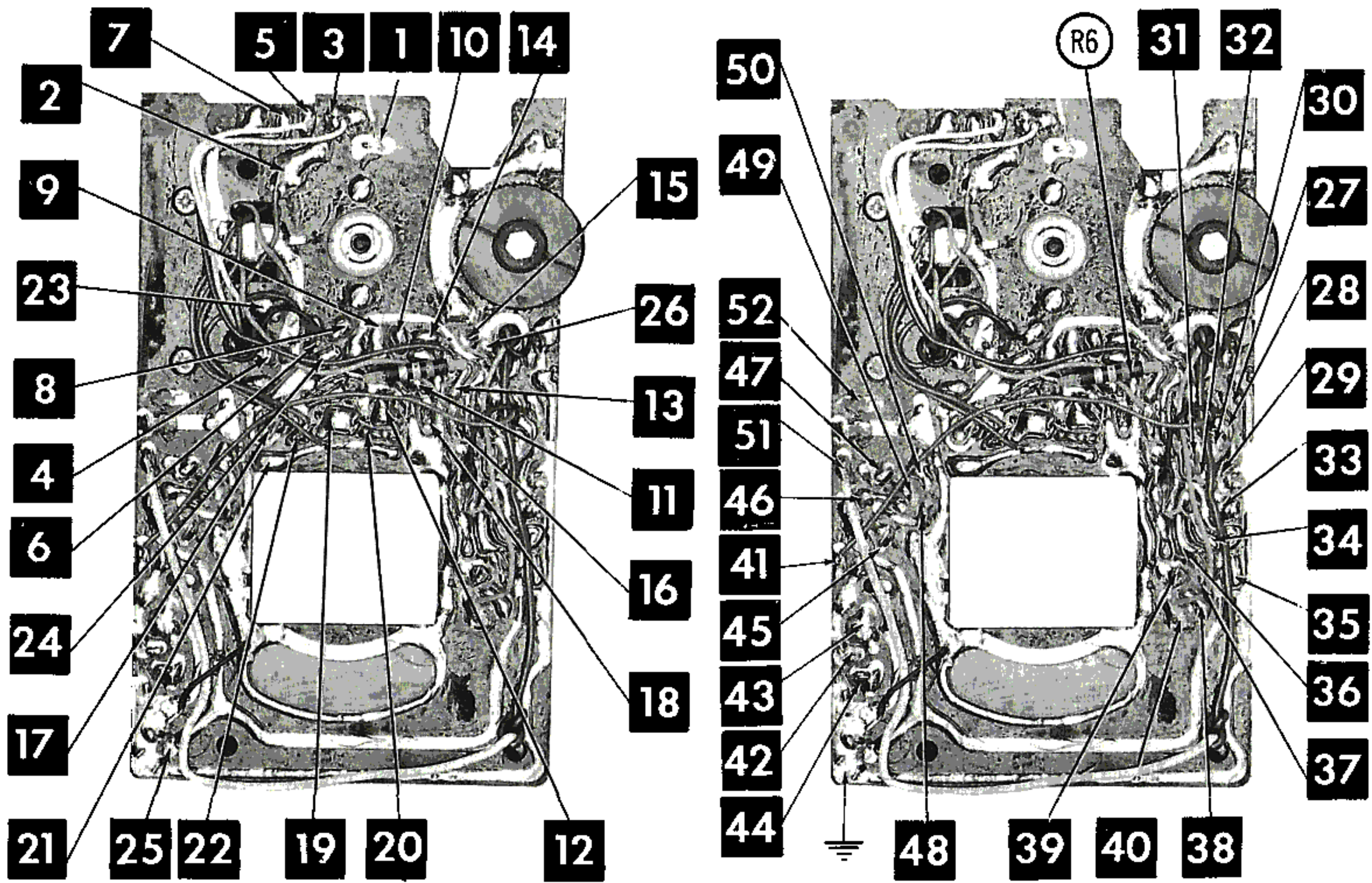
- A1, A2, A3, A5..... GENERAL CEMENT #5009, 8195, 8274, 8275, 8728, 8729, 8987, 8988, 8989
WALSCO #2515, 2531, 2532
- A4, A6, A8, A9..... GENERAL CEMENT #5000, 5003, 5066, 8276, 8290, 9087, 9089
WALSCO #2512, 2525, 2528
- A10, A11..... GENERAL CEMENT #9440

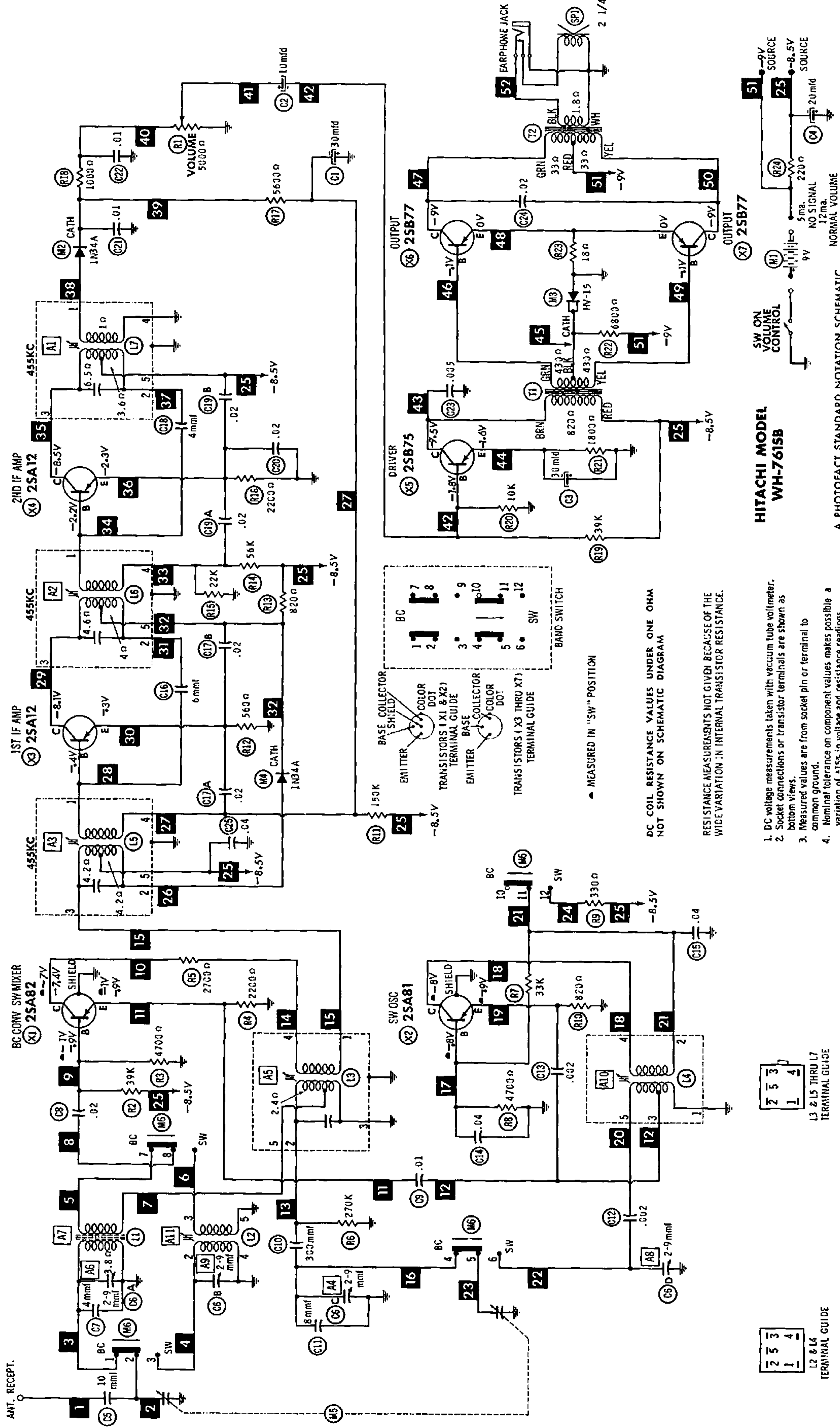
	SIGNAL GENERATOR COUPLING	* SIGNAL GENERATOR FREQUENCY	RADIO DIAL SETTING	OUTPUT METER	ADJUST	REMARKS
1.	Fashion loop of several turns of wire and radiate signal into loop of receiver.	455KC (400% Mod.)	Tuning gang fully open.	Across voice coil.	A1, A2, A3	Adjust for maximum output.
2.	"	1600KC	1600KC	"	A4	"
3.	"	600KC	600KC	"	A5	"
4.	"	1400KC	1400KC Signal.	"	A6	"
5.	"	600KC	600KC Signal.	"	A7	Adjust for maximum output by moving coil turns along ferrite core.
6.	High side thru .001mfd to external antenna connection.	12MC	(SW) 12MC	"	A8, A9	Adjust for maximum output.
7.	"	4MC	4MC	"	A10, A11	Adjust for maximum output. Repeat Steps 2 thru 7.

HOWARD W. SAMS & CO., INC. Indianapolis 6, Indiana

The listing of any available replacement part herein does not constitute in any case a recommendation, warranty or guaranty by Howard W. Sams & Co., Inc., as to the quality and suitability of such replacement part. The numbers of these parts have been compiled from information furnished to Howard W. Sams & Co., Inc., by the manufacturers of KF610

the particular type of replacement part listed. Reproduction or use, without express permission, of editorial or pictorial content, in any manner, is prohibited. No patent liability is assumed with respect to the use of the information contained herein. © 1962 Howard W. Sams & Co., Inc., Indianapolis 6, Indiana. Printed in U.S. of America





HITACHI MODEL WH-7615B

A PHOTOFACT STANDARD NOTATION SCHEMATIC with **CIRCUITRACE**

© Howard W. Sams & Co., Inc. 1962

NUMBERS ASSIGNED TO COILS, SWITCHES, PLUGS, SOCKETS, AND TRANSFORMERS ARE TO FACILITATE CIRCUIT TRACING OR COMPONENT REPLACEMENT AND MAY NOT NECESSARILY BE FOUND ON THE UNIT.

ANT. RECEPT. 1

SW ON VOLUME CONTROL

NO SIGNAL 5ma. 12ma. NORMAL VOLUME

MEASURED IN "SW" POSITION

DC COIL RESISTANCE VALUES UNDER ONE OHM NOT SHOWN ON SCHEMATIC DIAGRAM

RESISTANCE MEASUREMENTS NOT GIVEN BECAUSE OF THE WIDE VARIATION IN INTERNAL TRANSISTOR RESISTANCE.

1. DC voltage measurements taken with vacuum tube voltmeter.
 2. Socket connections or transistor terminals are shown as bottom views.
 3. Measured values are from socket pin or terminal to common ground.
 4. Nominal tolerance on component values makes possible a variation of ±15% in voltage and resistance readings.
 5. Volume control at maximum; no signal applied for voltage measurements.

TERMINAL GUIDE

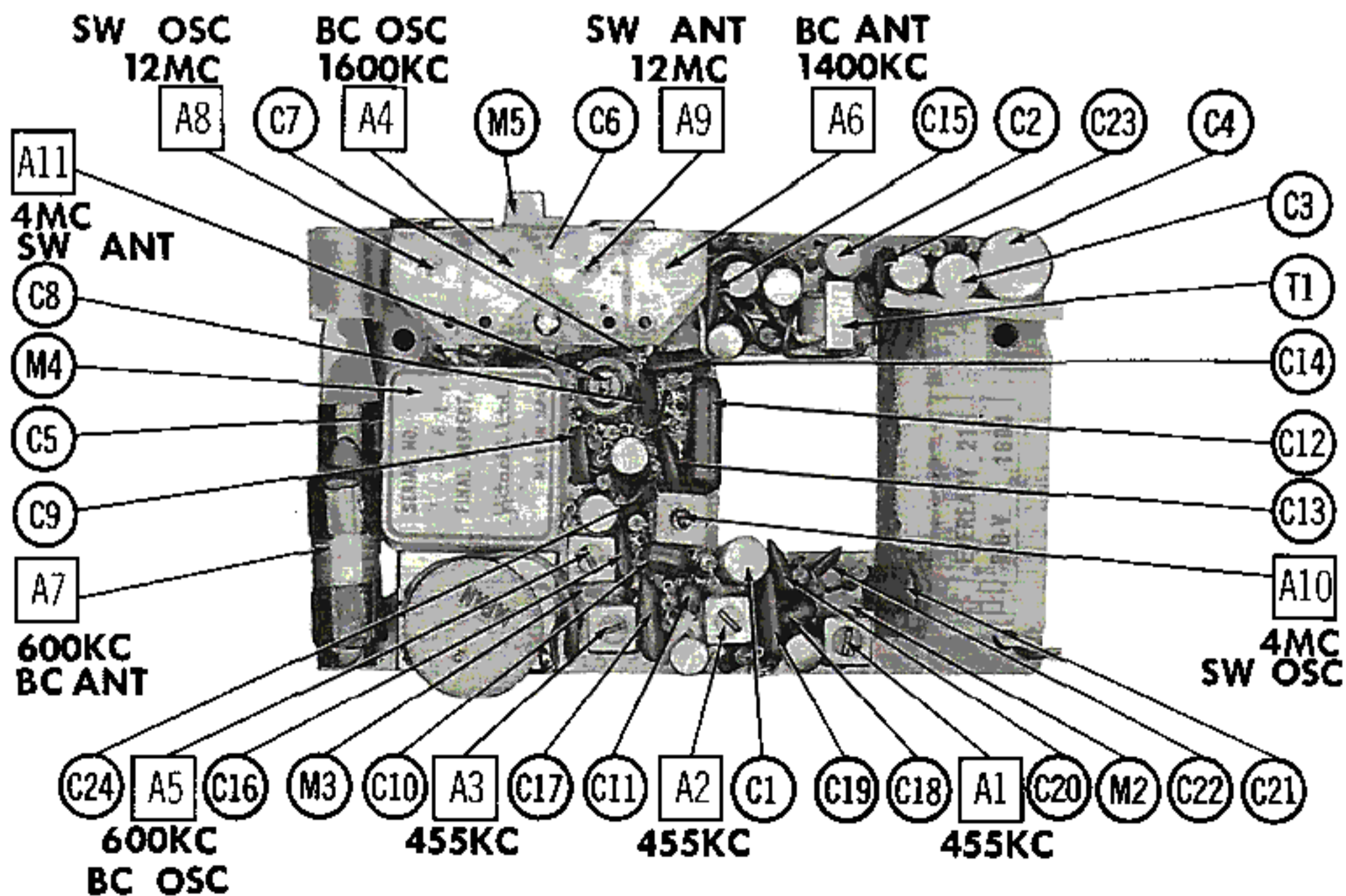
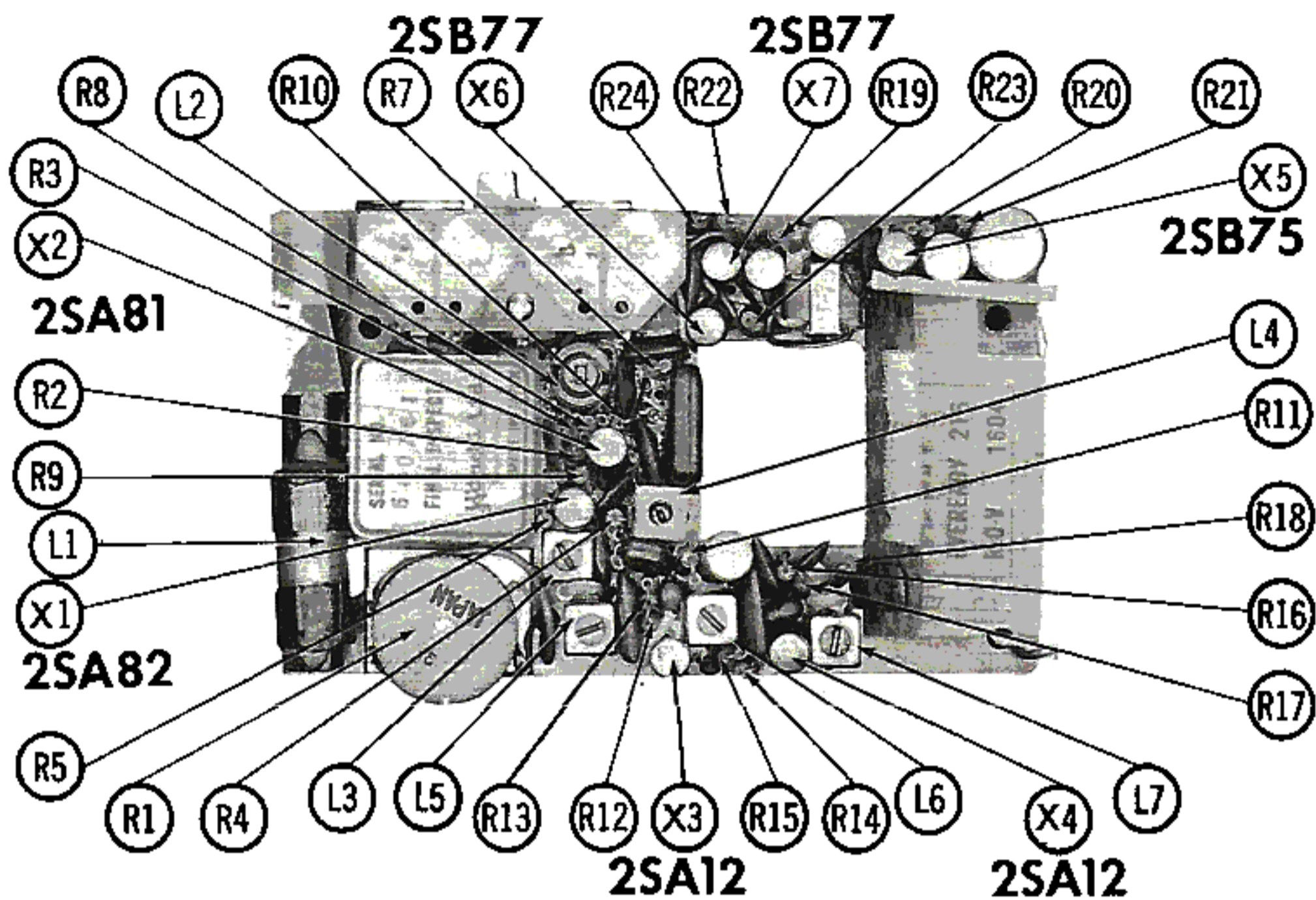
L2 & L6

2	3
1	4

TERMINAL GUIDE

L3 & L5 THRU L7

2	3
1	4



CHASSIS TOP VIEW

TRANSISTORS

ITEM No.	ORIG. TYPE	USE	REPLACEMENT DATA		NOTES
			RCA PART No.	RAYTHEON PART No.	
X1	2SA82	BC Conv. -SW Mixer	2N370		PNP
X2	2SA81	SW Oscillator	2N371		PNP
X3	2SA12	1st IF Amplifier	2N410		PNP
X4	2SA12	2nd IF Amplifier	2N410		PNP
X5	2SB75	Driver	2N408		PNP
X6	2SB77	Output	2N408		PNP
X7	2SB77	Output	2N408		PNP

ELECTROLYTIC CAPACITORS

ITEM No.	RATING		REPLACEMENT DATA						
	CAP.	VOLT.	HITACHI PART No.	AEROVOX PART No.	CORNELL-DUBILIER PART No.	GENERAL ELECTRIC PART No.	MALLORY PART No.	PYRAMID PART No.	SPRAGUE PART No.
C1	30	3			NLW30-6	MT1-13			TE-1053
C2	10	3			NLW10-6	MT1-5			
C3	30	3			NLW30-6	MT1-13			
C4	20	10		BCD10025	NLW20-15	MT1-10			

FIXED CAPACITORS

ITEM No.	RATING	REMARKS	REPLACEMENT DATA					
			AEROVOX PART No.	CENTRALAB PART No.	CORNELL-DUBILIER PART No.	ELMENCO PART No.	MALLORY PART No.	SPRAGUE PART No.
C5	10		NPO-SI 10	TCZ-10	C10Q1C	CCTO-100	CNO-410	10TCC-Q10
C6A	2-9							
B	2-9							
C	2-9							
D	2-9							
C7	4mmf				C10V4C			10TCC-V39
C8	.02		C80V203AM	DA-203	H-05S2		TA-120	TG-S20
C9	.01		C80V103AM	DM-103	H-05S1		TA-110	TG-S10
C10	300		1468-0003		5W5T27	CM-19B-301M	MC241	1FM-33
C11	8mmf		NPO-SI 8.2		C10V8C			10TCC-V82
C12	.002		1468-002		5W5D2	CM-19B-202M	MC457	1FM-22
C13	.002		BPD-002	DM-202	BYA10D2	CCD-202	B-220	5HK-D20
C14	.04							
C15	.04							
C16	6mmf				C10V6C			
C17A	.02		C80V203AM	DA-203	H-05S2		TA-120	TG-S20
B	.02		C80V203AM	DA-203	H-05S2		TA-120	TG-S20
C18	4mmf				C10V4C			10TCC-V39

PARTS LIST AND DE

COILS (RF-IF)

ITEM No.	USE	REPLACEMENT DATA					NOTES
		HITACHI PART No.	Merit PART No.	Miller PART No.	Stancor PART No.	Workman TV PART No.	
L1	BC Loopstick						
L2	SW Ant.						
L3	BC Osc.						
L4	SW Osc.						
L5	1st IF						
L6	2nd IF						
L7	3rd IF						

TRANSFORMER (DRIVER)

ITEM No.	TURNS RATIO		REPLACEMENT DATA					NOTES
	PRI.	SEC.	HITACHI PART No.	Merit PART No.	Stancor PART No.	Thordarson PART No.	Triad PART No.	
T1	1.5	1	CT-70					

TRANSFORMER (AUDIO OUTPUT)

ITEM No.	IMPEDANCE		REPLACEMENT DATA					NOTES
	PRI.	SEC.	HITACHI PART No.	Merit PART No.	Stancor PART No.	Thordarson PART No.	Triad PART No.	
T2	2000 Ω CT	10-12 Ω	OT-72-2					

SPEAKER

ITEM No.	TYPE			REPLACEMENT DATA		NOTES
	SIZE	FIELD	V. C. IMP.	HITACHI PART No.	QUAM PART No.	
SP1	2 1/4"	PM	10-12 Ω	SP-2302	22A06Z8	

BATTERIES

ITEM No.	VOLTAGE	HITACHI PART No.	REPLACEMENT DATA						NOTES
			BURGESS		EVEREADY		MALLORY		
			"A"	"B"	"A"	"B"	"A"	"B"	
MI	9V	006P		2U6		216		M-1604	

DESCRIPTIONS (Continued)

SIGNAL DIODES

ITEM No.	ORIG. TYPE	REPLACEMENT DATA			NOTES
		HITACHI PART No.	GENERAL ELECTRIC PART No.	RAYTHEON PART No.	
M2	1N34A			1N34A	Detector Bias Regulator AVC
M3	HV15				
M4	1N34A			1N34A	

MISCELLANEOUS

ITEM No.	PART NAME	HITACHI PART No.	NOTES
M5 M6	Tuning Cap. Switch		2 Gang Band Selector (Pushbutton Type)

WIRING DATA

General-use Unshielded Hook-up Wire Use BELDEN No. 8530 (Solid) Available in Ten Colors
8524 (Stranded) Available in Ten Colors