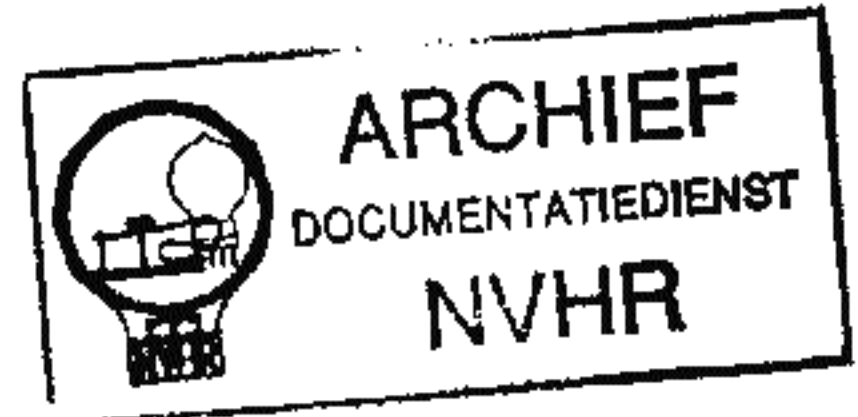


Met dank aan Jef Bos

TRADE NAME: Hitachi Model TH-650
 SUPPLIER: The Sampson Co., Electronics Div.
 2244 S. Western Ave., Chicago 8L, Ill.
 TYPE SET: 6 Transistor AM Receiver
 POWER SUPPLY: 9 Volts DC
 RATING: 10MA@9 VDC (No Signal, Min. Volume)
 30MA@9 VDC (Signal, Normal Volume)
 TUNING RANGE: BROADCAST 535 - 1650KC

Ned. Ver. v. Historie v/d

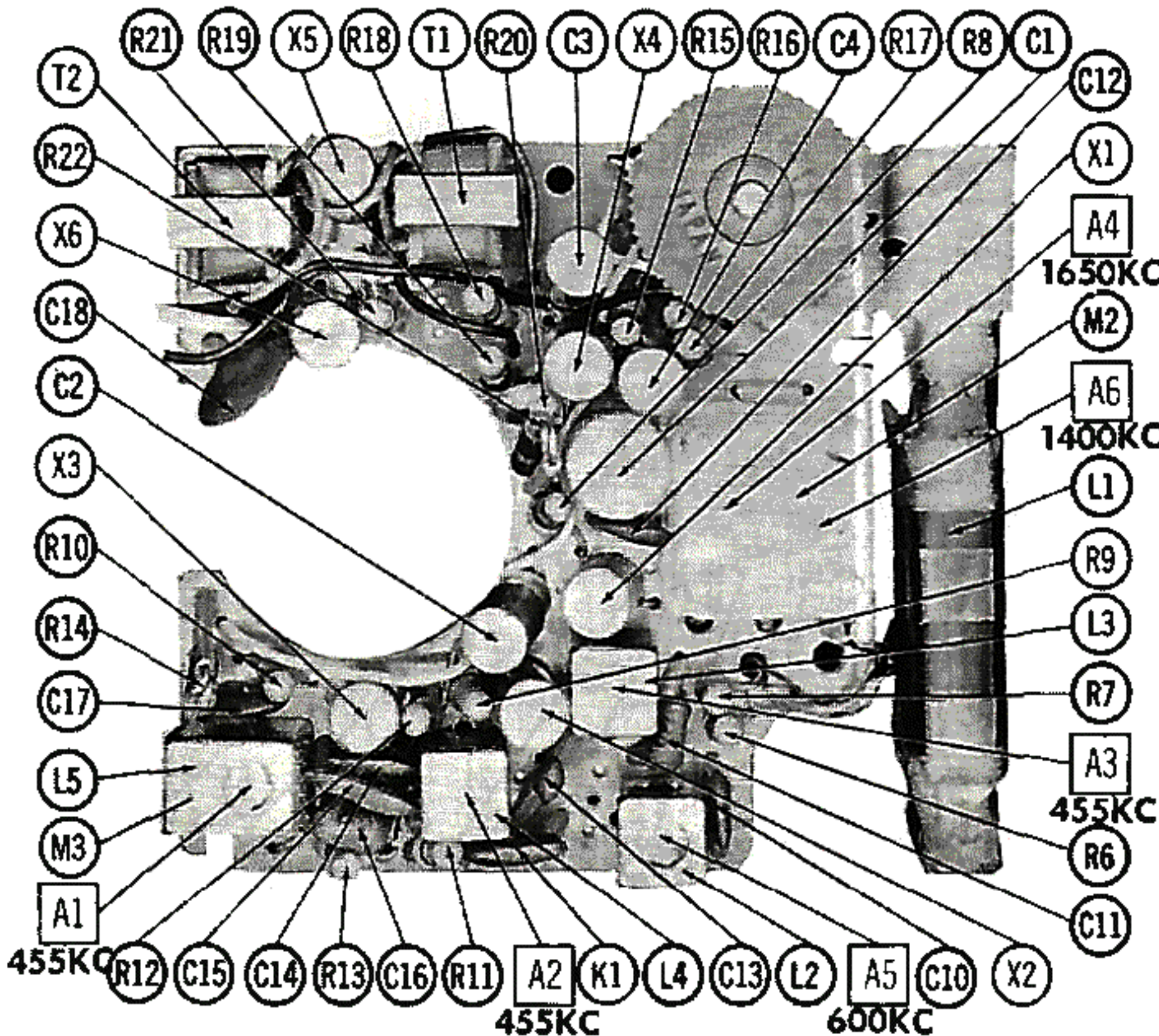


ALIGNMENT INSTRUCTIONS

Check for specified source voltage.
 Fashion loop of several turns of wire and connect generator across loop.
 Adjust output of generator to radiate only enough signal into receiver to obtain a suitable indication.
 Suggested Alignment Tools:

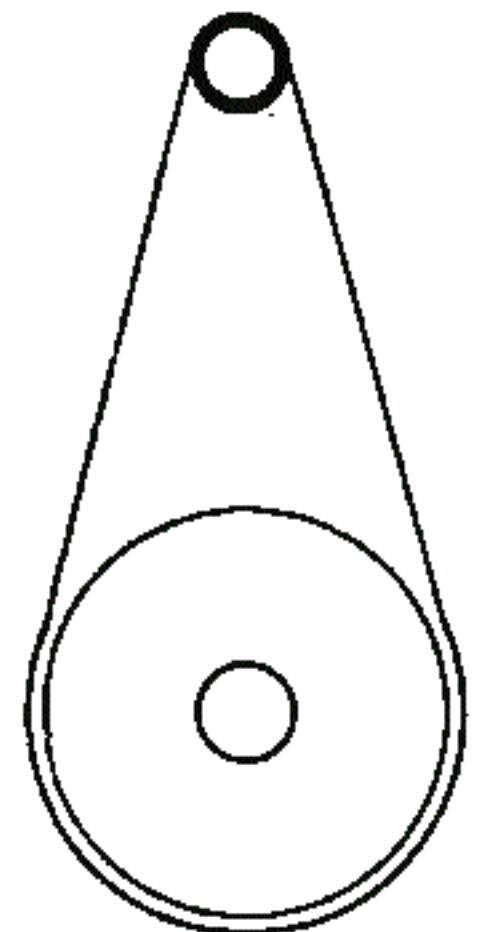
A1, A2, A3, A5..... GENERAL CEMENT #8282, 5067, 8606.....WALSCO #2526, 2543
 A4, A6..... GENERAL CEMENT #8290, 5000, 5066.....WALSCO #2528, 2525, 2512

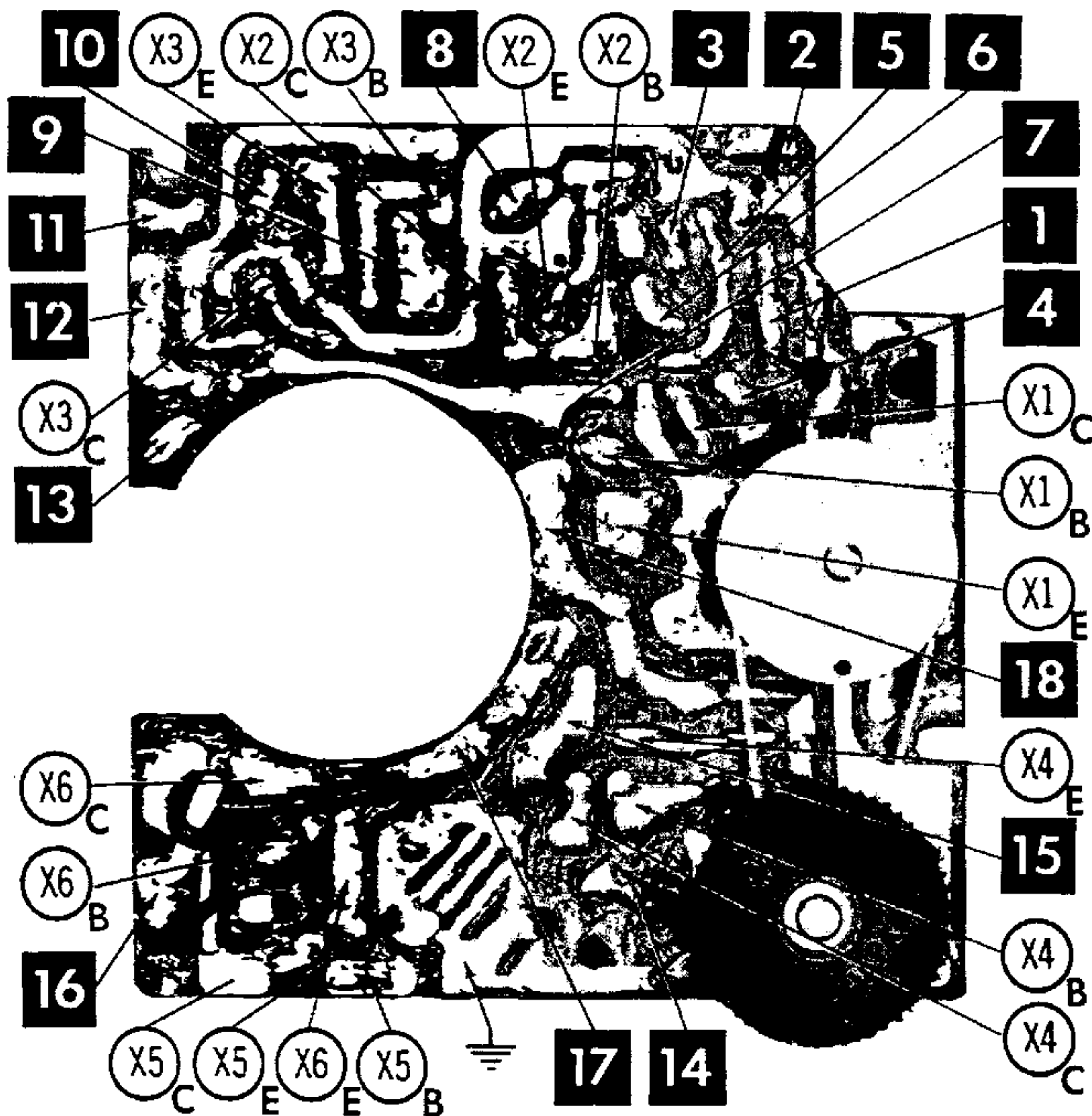
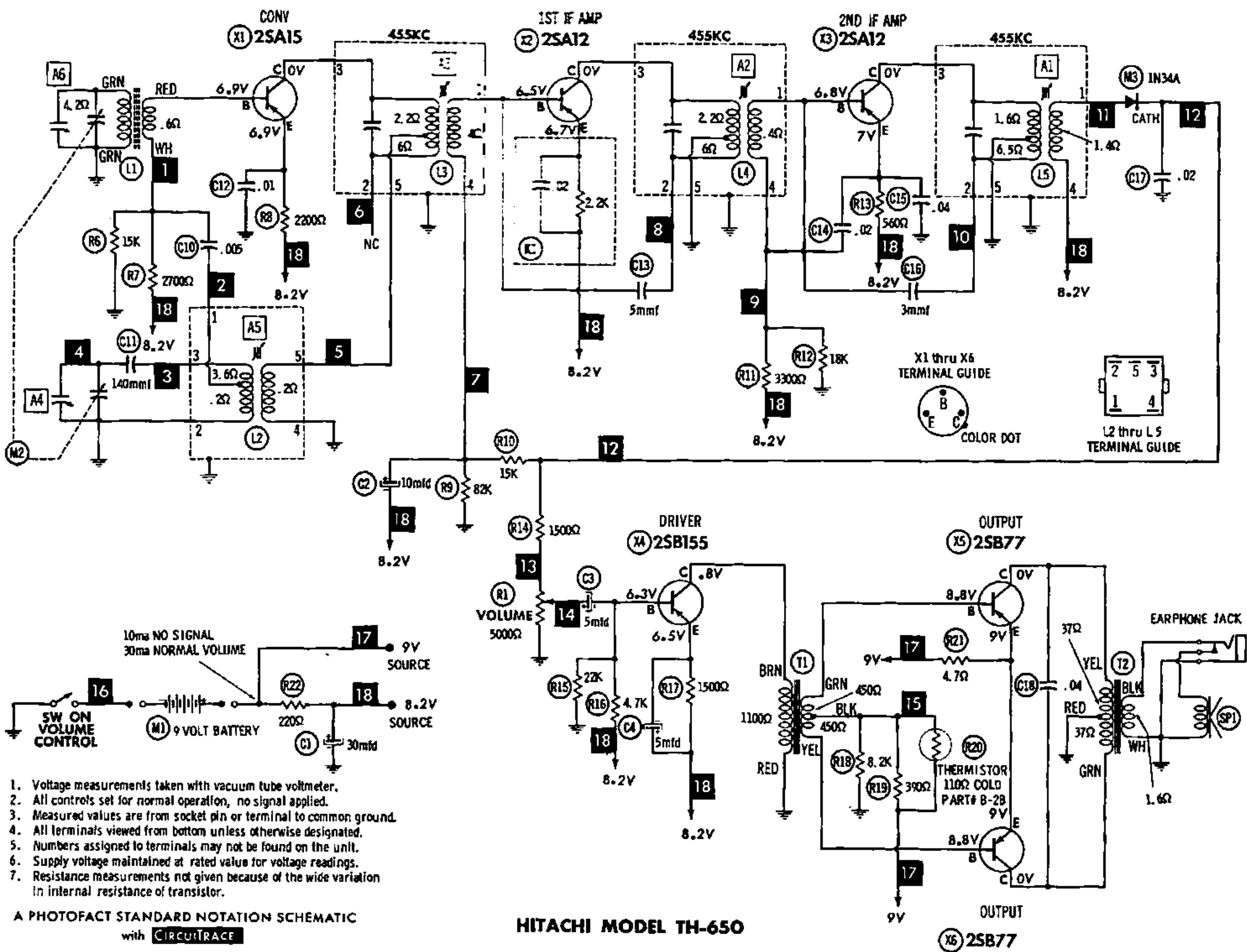
SIGNAL GENERATOR FREQUENCY	RADIO DIAL SETTING	INDICATOR	ADJUST	REMARKS
1. 455KC (400v Mod.)	Tuning gang fully open.	Output Meter across voice coil.	A1, A2, A3	Adjust for maximum. Repeat as required.
2. 1650KC	"	"	A4	Adjust for maximum.
3. 600KC	Tune to Signal.	"	A5	Rock tuning gang and adjust for maximum. Repeat steps 2 and 3.
4. 1400KC	"	"	A6	Adjust for maximum.



DIAL CORD STRINGING

2 1/2 TURNS





E-EMITTER B-BASE C-COLLECTOR

PARTS LIST AND DESCRIPTION

WIRING DATA

General-use Unshielded Hook-up Wire Use Belden No. 8530 (Solid 22AWG) Available in 12 Colors
 8524 (Stranded 22AWG)
 8570 (Stranded 20AWG)

TRANSISTORS

ITEM No.	ORIG. TYPE	USE	REPLACEMENT DATA			NOTES
			DELCO PART No.	GENERAL ELECTRIC PART No.	RCA PART No.	
X1	28A15	Converter	D6-25			PNP
X2	28A12	1st IF Amplifier	D5-25			PNP
X3	28A12	2nd IF Amplifier	D6-25			PNP
X4	28B155	Driver		2N406		PNP
X5	28B77	Output		2N408		PNP
X6	28B77	Output		2N408		PNP

ELECTROLYTIC CAPACITORS

ITEM No.	RATING	REPLACEMENT DATA					SPRAGUE PART No.
		CAP.	VOLT.	CORNELL-DUBIER PART No.	GENERAL ELECTRIC PART No.	GENERAL INSTRUMENT PART No.	
C1	30	10		NLW10-3			TE-1053
C2	10	3		NLW5-15	MT1-3		TE-1052, 2
C3	5	3		NLW5-15	MT1-3		TE-1052, 2
C4	5	3					

FIXED CAPACITORS

ITEM No.	RATING	REMARKS	REPLACEMENT DATA						SPRAGUE PART No.
			AEROVOX PART No.	CENTRALAB PART No.	CORNELL-DUBIER PART No.	EUMENCO PART No.	MALLORY PART No.	SPRAGUE PART No.	
C10	.005		TTD-005	CK-502	H1	TA-250			TG-D50
C11	.140		NPO-BH150	TCZ-130	C10T15C	CNO-316			10TCC-T16
C12	.01		TTD-01	CK-103	H2	TA-310			TG-810
C13	.05		NPO-DI 5.0	DTZ-4R7	C10V47C	CNO-547			10TCC-V50
C14	.02		TTD-02	CK-203	H3	TA-150			TG-820
C15	.04		TTD-05	CK-503	H5	TA-150			TG-850
C16	.3		NPO-BI 3.0	TCZ-3R3	C10V33C	CNO-533			10TCC-V30
C17	.02		TTD-02	CK-203	H3	TA-120			TG-820
C18	.04		TTD-05	CK-503	H6	TA-150			TG-850

CONTROLS

All wattages 1/2 watt, or less, unless otherwise listed.

ITEM No.	USE	REPLACEMENT DATA				MALLORY PART No.
		HITACHI PART No.	CENTRALAB PART No.	CLAROSTAT PART No.	CTS-IRC PART No.	
R1	Volume & Switch	151578				

COMPONENT COMBINATIONS

ITEM No.	USE	HITACHI PART No.	REPLACEMENT DATA
K1	IF Emitter Bias	B003P	

COILS (RF-IF)

ITEM No.	USE	REPLACEMENT DATA					NOTES
		HITACHI PART No.	MERIT PART No.	MILLER PART No.	STANCOR PART No.	WORKMAN PART No.	
L1	Loopstick	311411					
L2	Obs.	318078	BC-569	2061			RTC-9262
L3	1st IF	322006	BC-570	2062			RTC-9263
L4	2nd IF	322005	BC-571	2063			RTC-9264
L5	3rd IF	322801					

TRANSFORMER (DRIVER)

ITEM No.	TURNS RATIO	REPLACEMENT DATA					NOTES
		HITACHI PART No.	MERIT PART No.	STANCOR PART No.	THORDARSON PART No.	TRIAD PART No.	
T1	1:4	441040					

TRANSFORMER (AUDIO OUTPUT)

ITEM No.	IMPEDANCE	REPLACEMENT DATA					NOTES
		HITACHI PART No.	MERIT PART No.	STANCOR PART No.	THORDARSON PART No.	TRIAD PART No.	
T2	8000 CT 6-80	451044					

SPEAKER

ITEM No.	TYPE	REPLACEMENT DATA		NOTES
		HITACHI PART No.	QUAM PART No.	
SPI	2" PM 6-80	521019		

BATTERIES

ITEM No.	VOLTAGE	REPLACEMENT DATA			NOTES
		HITACHI PART No.	BURGESS	EVEREADY	
M1	9	008P	216 (or H146)	216 (or E146)	M-1804 (or MN1804, TR-146)

MISCELLANEOUS

ITEM No.	PART NAME	HITACHI PART No.	NOTES
M2	Tuning Cap.	282046	
M3	Detector (LN34A)	575001	

CABINETS & CABINET PARTS

(When Ordering Specify Model, Chassis & Color)

ITEM	ITEM	PART No.	ITEM	PART No.
Knob - Tuning, Black		61488B	Cabinet Front - Black	612171
Knob - Tuning, White		614889	Cabinet Front - White	612172
Knob - Volume, Black		614890	Cabinet Back - Black	612167
Knob - Volume, White		614891	Cabinet Back - White	612168