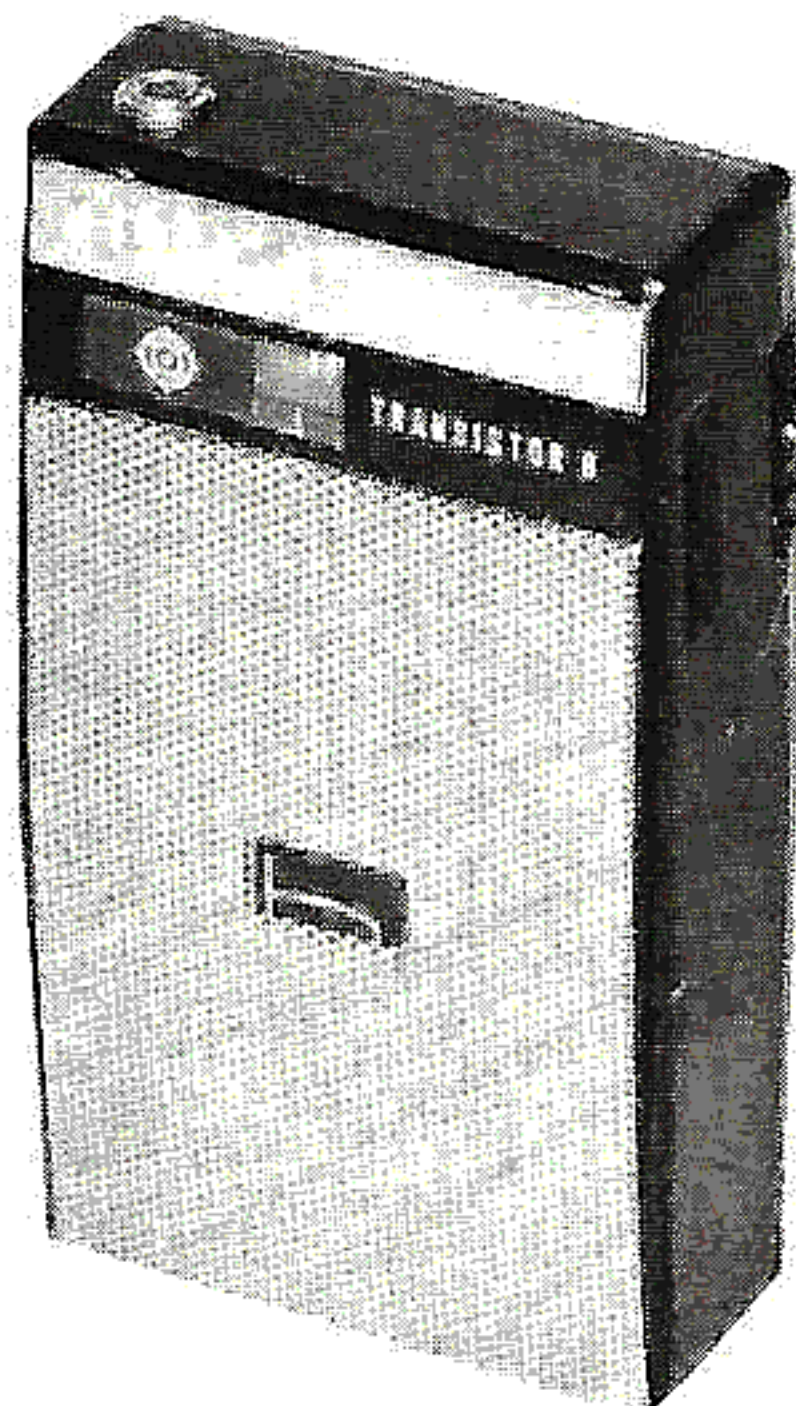
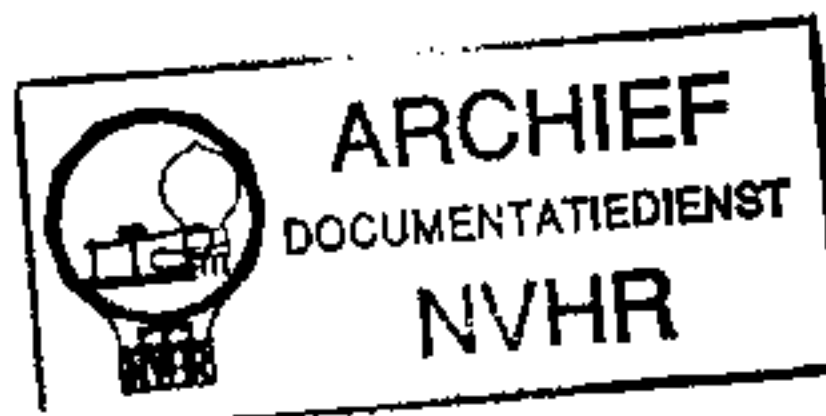


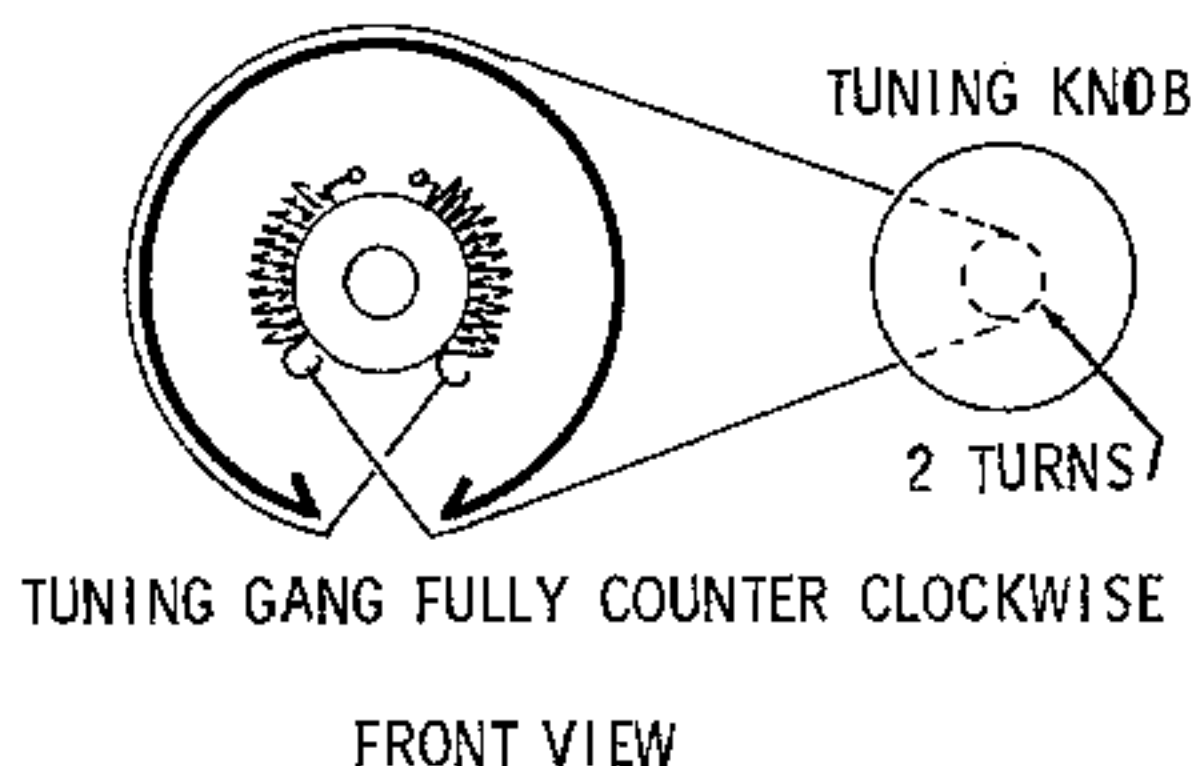


Met dank aan Jef Bos

Ned. Ver. v. Historie v/d Radio



TUNING DRIVE CORD STRINGING



TRADE NAME	Hitachi Model TH-627R		
IMPORTER	Electronic Utilities Co., Div. of the Sampson Co., 2244 S. Western Ave., Chicago 8, Illinois		
TYPE SET	Battery Operated Transistorized PORTABLE AM Receiver		
POWER SUPPLY	9 Volts DC	RATING	5MA @ 9 Volts DC (No Signal, Min. Volume)
TUNING RANGE—BROADCAST	535 — 1605KC		15MA @ 9 Volts DC (Signal, Normal Volume)

ALIGNMENT INSTRUCTIONS

ALIGNMENT INSTRUCTIONS—READ CAREFULLY BEFORE ATTEMPTING ALIGNMENT

Volume control should be at maximum position. Output of signal generator should be no higher than necessary to obtain an output reading.

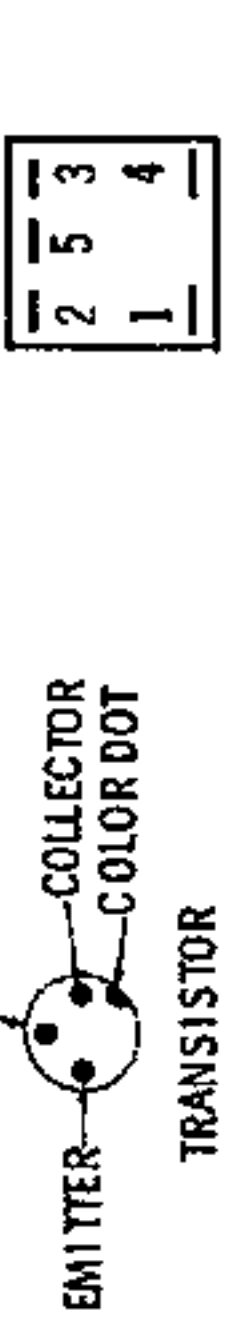
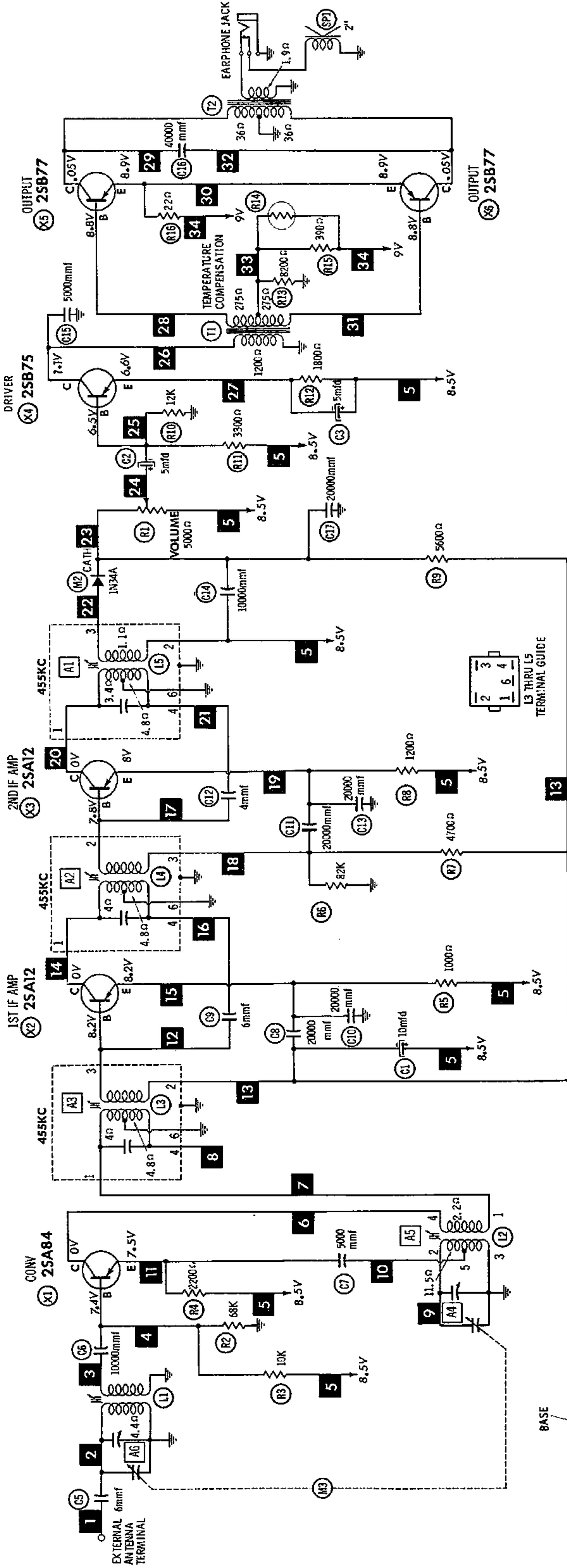
Suggested Alignment Tools: A1, A2, A3.....GENERAL CEMENT #8607, 9291, 9294
WALSCO #2520, 2522, 2523, 2524, 2534, 2537
A4, A6.....GENERAL CEMENT #5000, 5003, 5066, 8276, 8290, 9087, 9089
WALSCO #2512, 2525, 2528
A5.....GENERAL CEMENT #9440

	SIGNAL GENERATOR COUPLING	SIGNAL GENERATOR FREQUENCY	RADIO DIAL SETTING	OUTPUT METER	ADJUST	REMARKS
1.	Loop	455KC (400v Mod.)	Tuning gang fully open.	Across voice coil.	A1, A2, A3	Fashion loop of several turns of wire and radiate signal into loop of receiver. Adjust for maximum output.
2.	"	1600KC	1600KC	"	A4	"
3.	"	600KC	600KC	"	A5	"
4.	"	1400KC	1400KC Signal.	"	A6	Adjust for maximum output. Repeat Steps 2, 3 and 4.

HOWARD W. SAMS & CO., INC. Indianapolis 6, Indiana

The listing of any available replacement part herein does not constitute in any case a recommendation, warranty or guaranty by Howard W. Sams & Co., Inc., as to the quality and suitability of such replacement part. The numbers of these parts have been compiled from information furnished to Howard W. Sams & Co., Inc., by the manufacturers of KF510

the particular type of replacement part listed. Reproduction or use, without express permission, of editorial or pictorial content, in any manner, is prohibited. No patent liability is assumed with respect to the use of the information contained herein. © 1961 Howard W. Sams & Co., Inc., Indianapolis 6, Indiana. Printed in U.S. of America



TRANSISTOR TERMINAL GUIDE

1. DC voltage measurements taken with vacuum tube voltmeter.
2. Socket connections or transistor terminals are shown as bottom views.
3. Measured values are from socket pin or terminal to common ground.
4. Nominal tolerance on component values makes possible a variation of +15% in voltage and resistance readings.
5. Volume control at maximum, no signal applied for voltage measurements.

NUMBERS ASSIGNED TO COILS, SWITCHES, PLUGS, SOCKETS, AND TRANSFORMERS ARE TO FACILITATE CIRCUIT TRACING OR COMPONENT REPLACEMENT AND MAY NOT NECESSARILY BE FOUND ON THE UNIT.

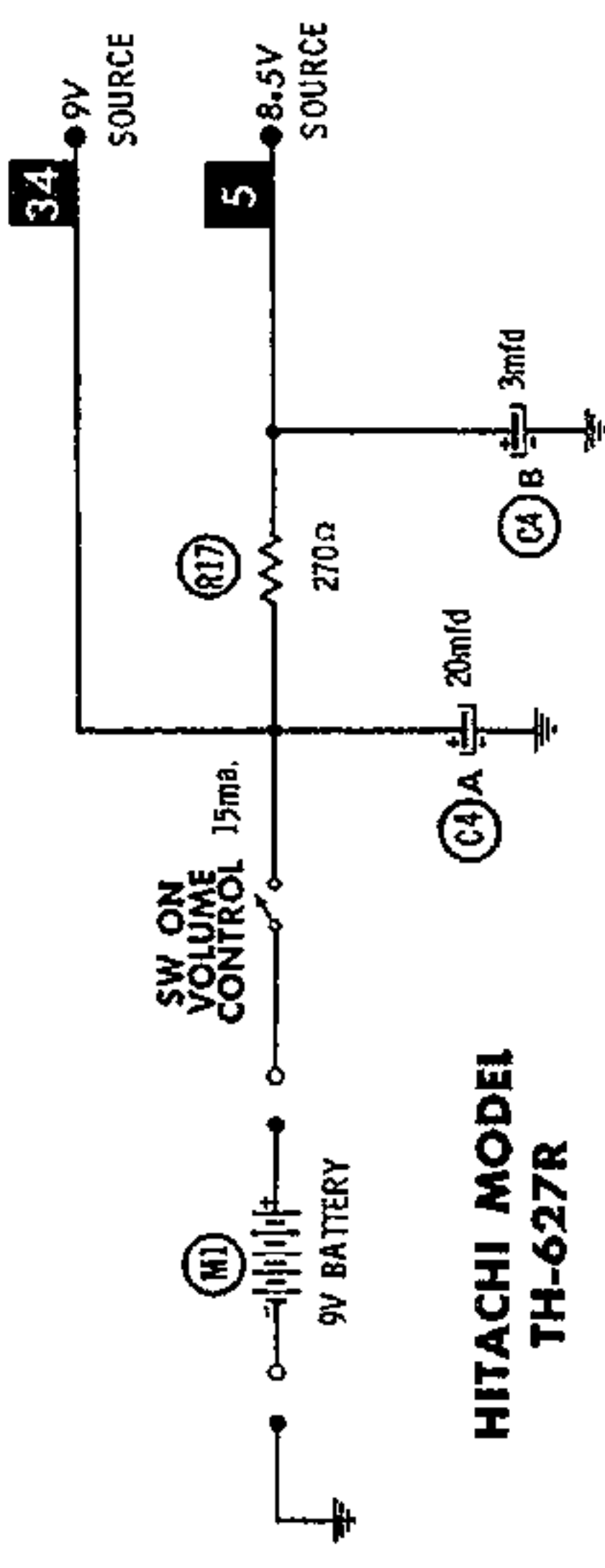
RESISTANCE MEASUREMENTS NOT GIVEN BECAUSE OF THE WIDE VARIATION IN INTERNAL TRANSISTOR RESISTANCE.

A PHOTOFACT STANDARD NOTATION SCHEMATIC with **CIRCUITRACE**

© Howard W. Sams & Co., Inc. 1961

DC COIL RESISTANCE VALUES UNDER ONE OHM NOT SHOWN ON SCHEMATIC DIAGRAM

HITACHI MODEL TH-627R



PARTS LIST AND DESCRIPTIONS

TRANSISTORS

ITEM No.	ORIG. TYPE	USE	REPLACEMENT DATA			NOTES
			RCA PART No.	RAYTHEON PART No.	SYLVANIA PART No.	
X1	2SA84	Converter	2N412			PNP
X2	2SA12	1st IF Amplifier	2N410			PNP
X3	2SA12	2nd IF Amplifier	2N410			PNP
X4	28B75	Driver	2N406			PNP
X5	28B77	Output	2N408			PNP
X6	28B77	Output	2N408			PNP

ELECTROLYTIC CAPACITORS

ITEM No.	RATING		REPLACEMENT DATA						NOTES
	CAP.	VOLT.	HITACHI PART No.	AEROVOX PART No.	CORNELL-DUBILIER PART No.	MALLORY PART No.	PYRAMID PART No.	SPRAGUE PART No.	
C1	10	8				TT3X10			
C2	5	8				TT6X5			
C3	5	8				TT6X5			
C4A	20	10							
B	3	10							

FIXED CAPACITORS

Capacity values given in the rating column are in mfd. for Paper Capacitors, and in mmfd. for Mica and Ceramic Capacitors.

ITEM No.	RATING	REMARKS	REPLACEMENT DATA					
			AEROVOX PART No.	CENTRALAB PART No.	CORNELL-DUBILIER PART No.	ELMENCO PART No.	MALLORY PART No.	SPRAGUE PART No.
C5	6			DD-060	C10V8C			
C6	10000		C80V103AM	DM-103	H-05S1		TA-110	TG-S10
C7	5000		C80V502AM	DM-502	H-05D5	CCD-502	TA-250	TG-D50
C8	20000		C80V203AM	DA-203	H-05S2		TA-120	TG-S20
C9	6			DD-060	C10V8C			
C10	20000		C80V203AM	DA-203	H-05S2		TA-120	TG-S20
C11	20000		C80V203AM	DA-203	H-05S2		TA-120	TG-S20
C12	4				C10V4C			
C13	20000		C80V203AM	DA-203	H-05S2		TA-120	TG-S20
C14	10000		C80V103AM	DM-103	H-05S1		TA-110	TG-S10
C15	5000		C80V502AM	DM-502	H-05D5	CCD-502	TA-250	TG-D50
C16	40000							
C17	20000		C80V203AM	DA-203	H-05S2		TA-120	TG-S20

CONTROLS

ITEM No.	RATING		REPLACEMENT DATA					INSTALLATION NOTES
	RESISTANCE	WATTS	HITACHI PART No.	CENTRALAB PART No.	CLAROSTAT PART No.	CTS-IRC PART No.	MALLORY PART No.	
R1	5000Ω	1/10						Volume & Switch

RESISTORS

All wattages 1/2 watt, or less, unless otherwise listed.

ITEM No.	RATING	REPLACEMENT DATA			ITEM No.	RATING	REPLACEMENT DATA		
		IRC PART No.	WORKMAN TV PART No.	REMARKS			IRC PART No.	WORKMAN TV PART No.	REMARKS
R2	68K				R10	12K			
R3	10K				R11	3300Ω			
R4	2200Ω				R12	1800Ω			
R5	1000Ω				R13	8200Ω			
R6	82K				R14	Temp. Comp.			
R7	4700Ω				R15	390Ω			
R8	1200Ω				R16	22Ω			
R9	5600Ω				R17	270Ω			

PRINTED BOARD

A Howard W. Sams **CIRCUITRACE!** Photo

