

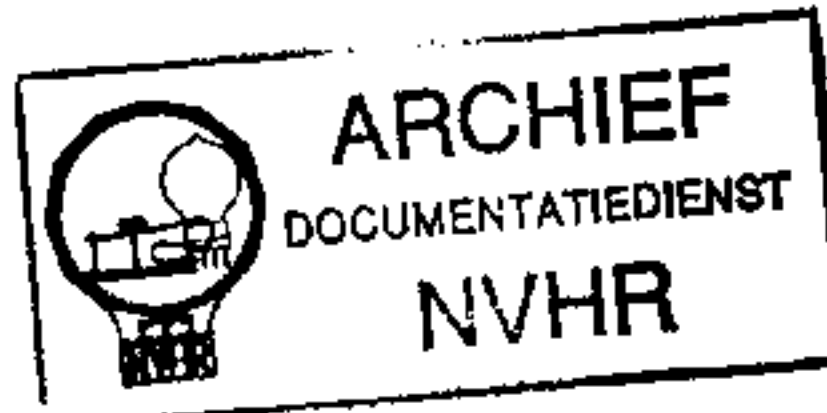


PHOTOFACT[®] with

CIRCUITRACE[®]

Ned. Ver. v. Historie v/d Radio

Met dank aan Jef Bos



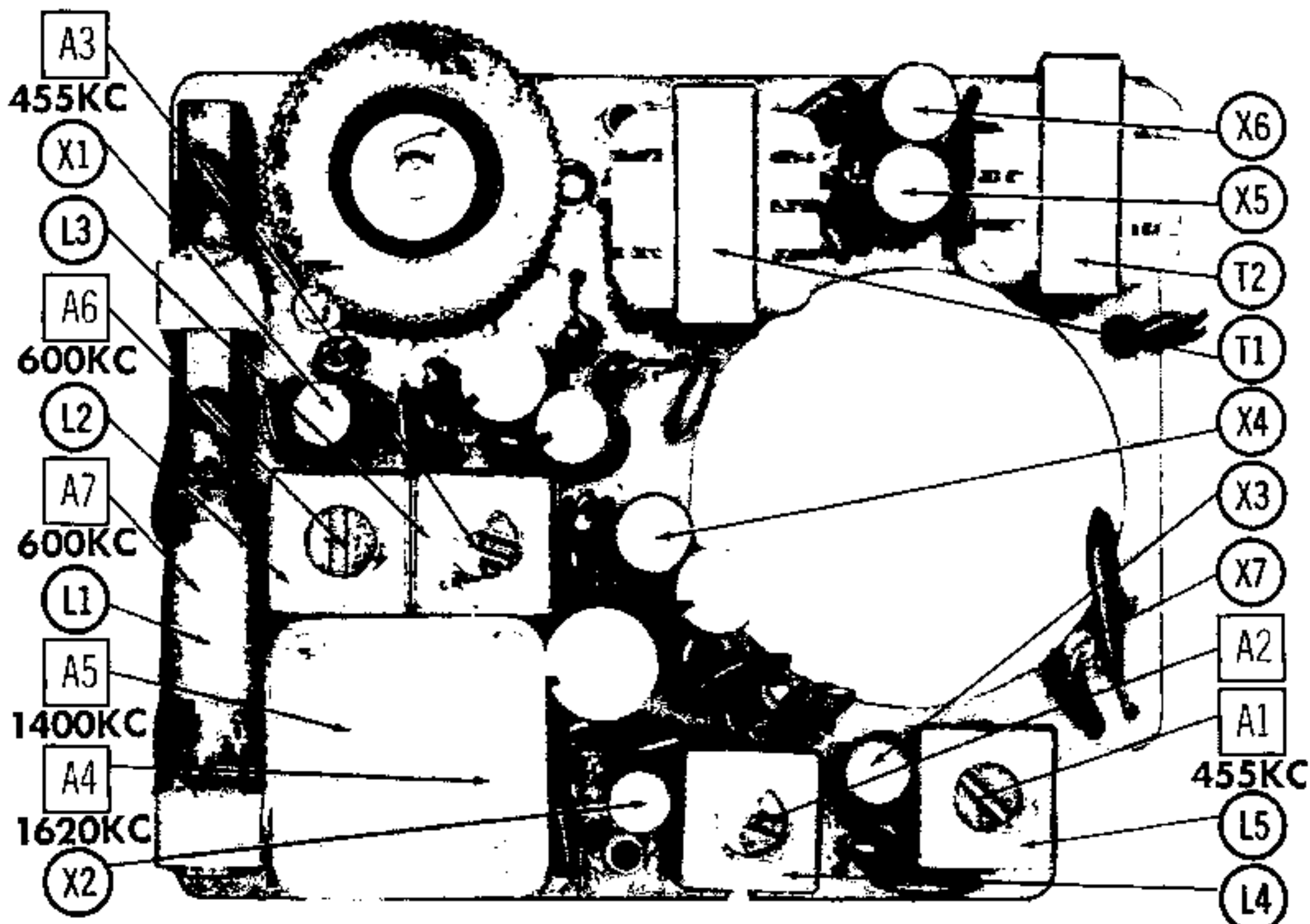
TRADE NAME: Hitachi Model TH-610
 SUPPLIER: For Current Address, see Master Index
 TYPE SET: 6-Transistor AM Receiver
 POWER SUPPLY: 9 Volts DC
 RATING: 8MA @ 9VDC (No Signal, Min. Volume)
 15MA @ 9VDC (Signal, Normal Volume)
 TUNING RANGE: BROADCAST 540 - 1620KC

ALIGNMENT INSTRUCTIONS

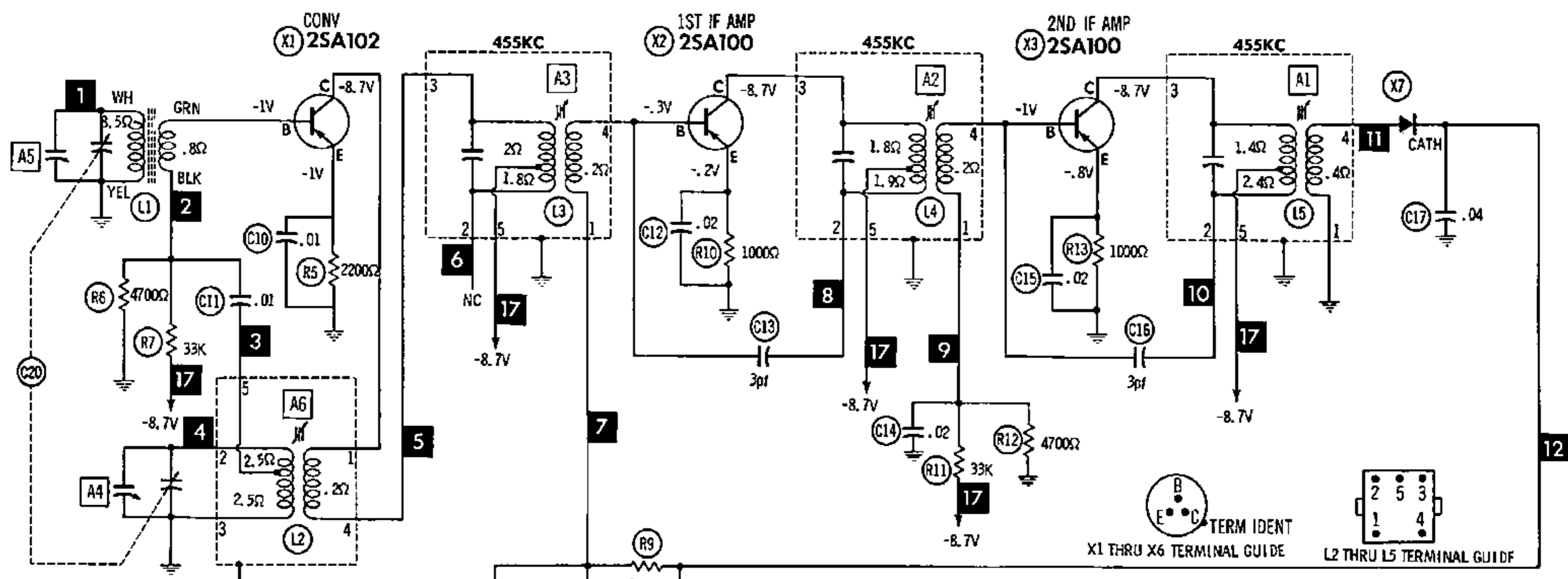
Check for specified source voltage. Set Volume control at maximum.
 Fashion loop of several turns of wire and connect generator across loop.
 Adjust output of generator to radiate only enough signal into receiver to obtain a suitable indication.
 Suggested Alignment Tools:

A1, A2, A3, A6.... GENERAL CEMENT #9087..... WALSCO #2528
 A4, A5..... GENERAL CEMENT #8868, 9089.... WALSCO #2541, 2587

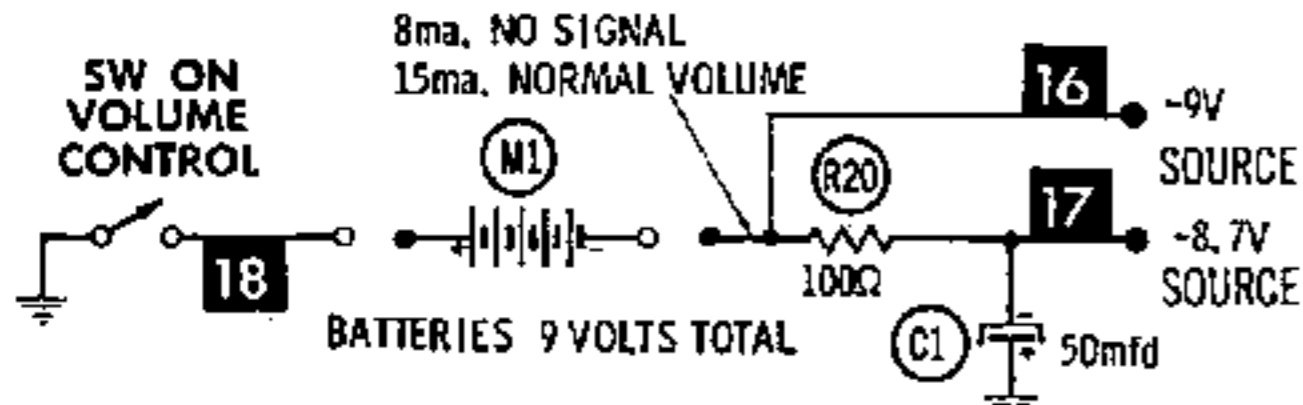
GENERATOR FREQUENCY	DIAL SETTING	INDICATOR	ADJUST	REMARKS
1. 455KC (400% Mod.)	Tuning gang fully open.	Output Meter across Voice coll.	A1, A2, A3	Adjust for maximum. Repeat until no further improvement can be made.
2. 1620KC	"	"	A4	Adjust for maximum.
3. 1400KC	Tune to signal.	"	A5	Adjust for maximum.
4. 600KC	"	"	A6, A7	Rock tuning gang and adjust for maximum. Repeat steps 2 thru 4 until no further improvement can be made. Adjust A7 by sliding coil windings on ferrite core.



HOWARD W. SAMS & CO., INC. Indianapolis 6, Indiana



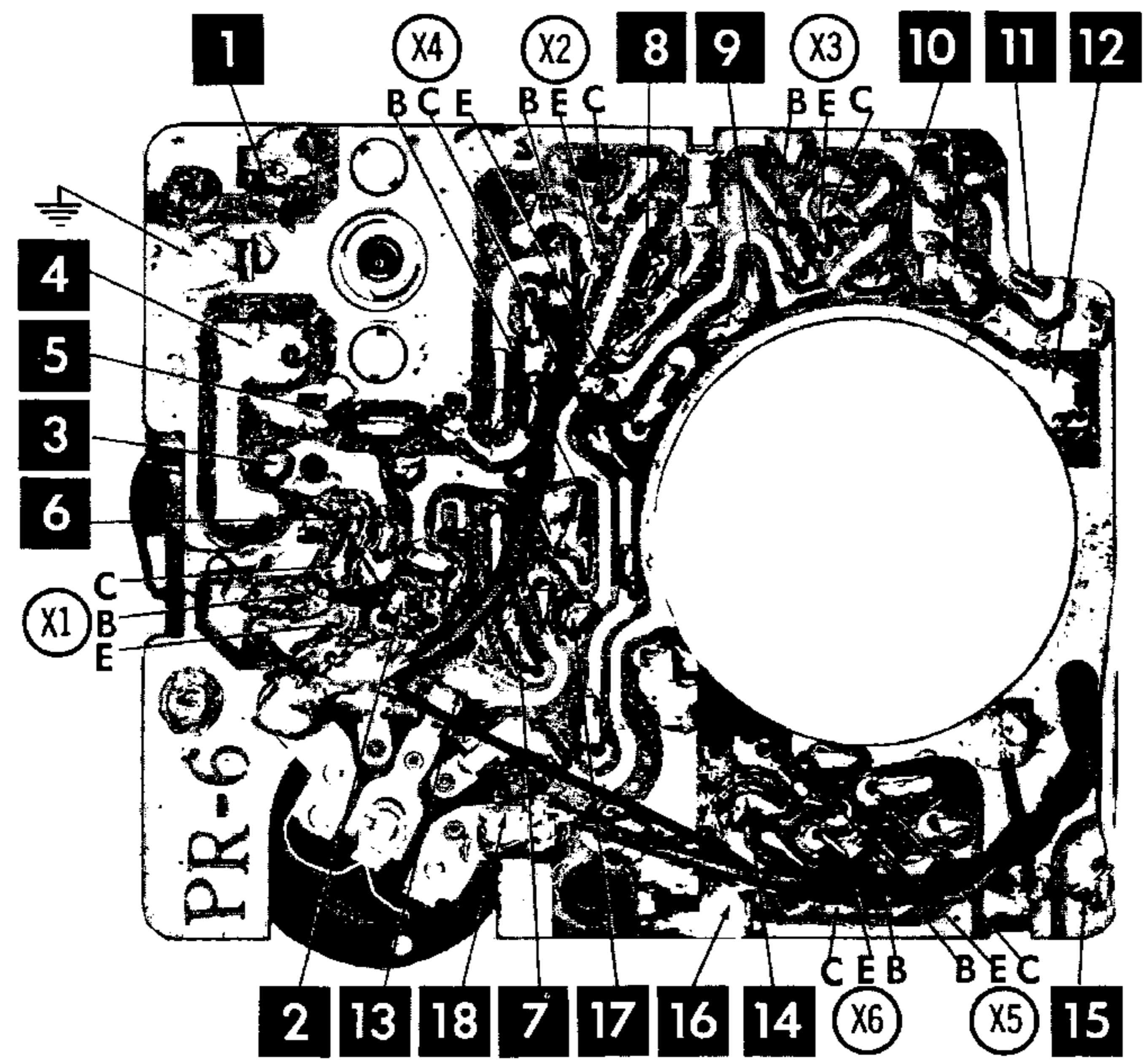
1. Voltage measurements taken with vacuum tube voltmeter.
2. All controls set for normal operation, no signal applied.
3. Measured values are from socket pin or terminal to common ground.
4. All terminals viewed from bottom unless otherwise designated.
5. Numbers assigned to terminals may not be found on the unit.
6. Supply voltage maintained at rated value for voltage readings.
7. Resistance measurements not given because of the wide variation in internal resistance of transistor.

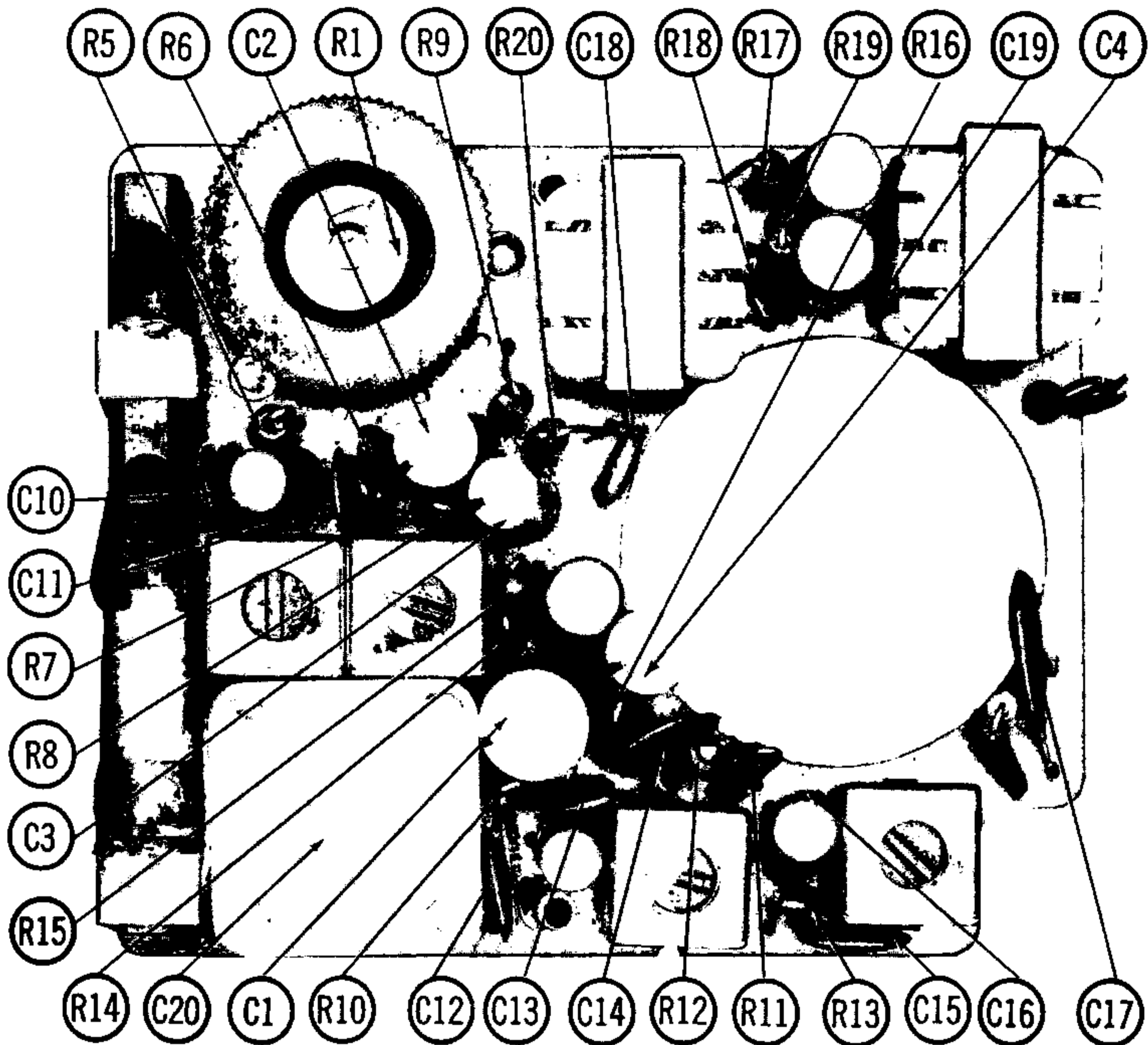


Resistors are 1/2 watt or less and rated 10% or 20% unless otherwise indicated.

A PHOTOFAC STANDARD NOTATION SCHEMATIC with CIRCUITRACE
© Howard W. Sams & Co., Inc. 1965

HITACHI MODEL TH-610





PARTS LIST AND DESCRIPTION

TRANSISTORS

ITEM No.	ORIG. TYPE	USE	REPLACEMENT DATA			NOTES
			DELCO PART No.	GENERAL ELECTRIC PART No.	RCA PART No.	
X1	2SA102	Conv.	DS-25	GE-1	SK-3008	PNP
X2	2SA100	1st IF Amp.	DS-25	GE-1	SK-3008	PNP
X3	2SA100	2nd IF Amp.	DS-25	GE-1	SK-3008	PNP
X4	2SB170	Driver	DS-28	GE-2	SK-3004	PNP
X5	2SB172	Output	DS-26	GE-2	SK-3004	PNP
X6	2SB172	Output	DS-26	GE-2	SK-3004	PNP

POWER RECTIFIERS & SIGNAL DIODES

ITEM No.	MEASURED CURRENT	ORIGINAL Part or Type No.	RECTIFIERS				DIODES
			GENERAL ELECTRIC PART No.	MALLORY PART No.	RCA PART No.	SARKES TARZIAN PART No.	GENERAL ELECTRIC PART No.
X7							1N34AS

ELECTROLYTIC CAPACITORS

ITEM No.	RATING		REPLACEMENT DATA					
	CAP.	VOLT.	HITACHI PART No.	AEROVOX PART No.	CORNELL-DUBILIER PART No.	GENERAL ELECTRIC PART No.	MALLORY PART No.	SPRAGUE PART No.
C1	50	10		TTC140		MT1-16	TT10X50	
C2	10	6		CRE307A	NLW10-6	MT1-5	TT6X10	TE-1087
C3	5	6		CRE304A	NLW5-15	MT1-3	TT6X5	TE-1084
C4	10	6		CRE307A	NLW10-6	MT1-5	TT6X10	TE-1087

PARTS LIST AND DESCRIPTION (CONTINUED)

FIXED CAPACITORS

ITEM No.	RATING	REMARKS	REPLACEMENT DATA					
			AEROVOX PART No.	CENTRALAB PART No.	CORNELL-DUBILIER PART No.	ELMENCO PART No.	MALLORY PART No.	SPRAGUE PART No.
C10	.01		TTD-01	CK-103	H2		TA110	TG-S10
C11	.01		TTD-01	CK-103	H2		TA110	TG-S10
C12	.02		TTD-02	CK-203	H3		TA120	TG-S20
C13	3		NPO-DI 3.0	DTZ-3R3	C10V33C	CCTO-3R3	CNO533	10TCC-V30
C14	.02		TTD-02	CK-203	H3		TA120	TG-S20
C15	.02		TTD-02	CK-203	H3		TA120	TG-S20
C16	3		NPO-DI 3.0	DTZ-3R3	C10V33C	CCTO-3R3	CNO533	10TCC-V30
C17	.04			DD-403				
C18	.002			DM-202				
C19	.04			DD-403				
C20								

CONTROLS

All wattages 1/2 watt, or less, unless otherwise listed.

ITEM No.	USE	RESISTANCE	REPLACEMENT DATA				
			HITACHI PART No.	CENTRALAB PART No.	CLAROSTAT PART No.	CTS-IRC PART No.	MALLORY PART No.
R1	Volume & Switch	5000Ω		B16-214			

COILS (RF-IF)

ITEM No.	USE	REPLACEMENT DATA					
		HITACHI PART No.	MEISSNER PART No.	MERIT PART No.	MILLER PART No.	STANCOR PART No.	WORKMAN PART No.
L1	Loopstick		14-9028		2009		
L2	Osc.						
L3	1st IF		16-9026	BC-574	2066	RTC-9266	
L4	2nd IF		16-9027	BC-575	2067	RTC-9267	
L5	3rd IF		16-9028	BC-576	2068	RTC-9268	

TRANSFORMER (DRIVER)

ITEM No.	TURNS RATIO		REPLACEMENT DATA					NOTES
	PRI.	SEC.	HITACHI PART No.	MERIT PART No.	STANCOR PART No.	THORDARSON PART No.	TRIAD PART No.	
T1	2	1						

TRANSFORMER (AUDIO OUTPUT)

ITEM No.	IMPEDANCE		REPLACEMENT DATA					NOTES
	PRI.	SEC.	HITACHI PART No.	MERIT PART No.	STANCOR PART No.	THORDARSON PART No.	TRIAD PART No.	
T2	200Ω CT	8Ω						

SPEAKER

ITEM No.	TYPE	REPLACEMENT DATA		NOTES
		HITACHI PART No.	QUAM PART No.	
SP1	2" PM 6-8Ω			

BATTERIES

ITEM No.	VOLTAGE	HITACHI PART No.	REPLACEMENT DATA			NOTES
			BURGESS	EVEREADY	MALLORY	
M1	9V		2U6 or H146 or 2MN6	216 or E146X	M1604 or TR146X or Mn1604	

WIRING DATA

General-use Unshielded Hook-up Wire	Use BELDEN No. 8530 (Solid 22AWG)	Available in 12 Colors
	8524 (Stranded 22AWG)	
	8570 (Stranded 26AWG)	