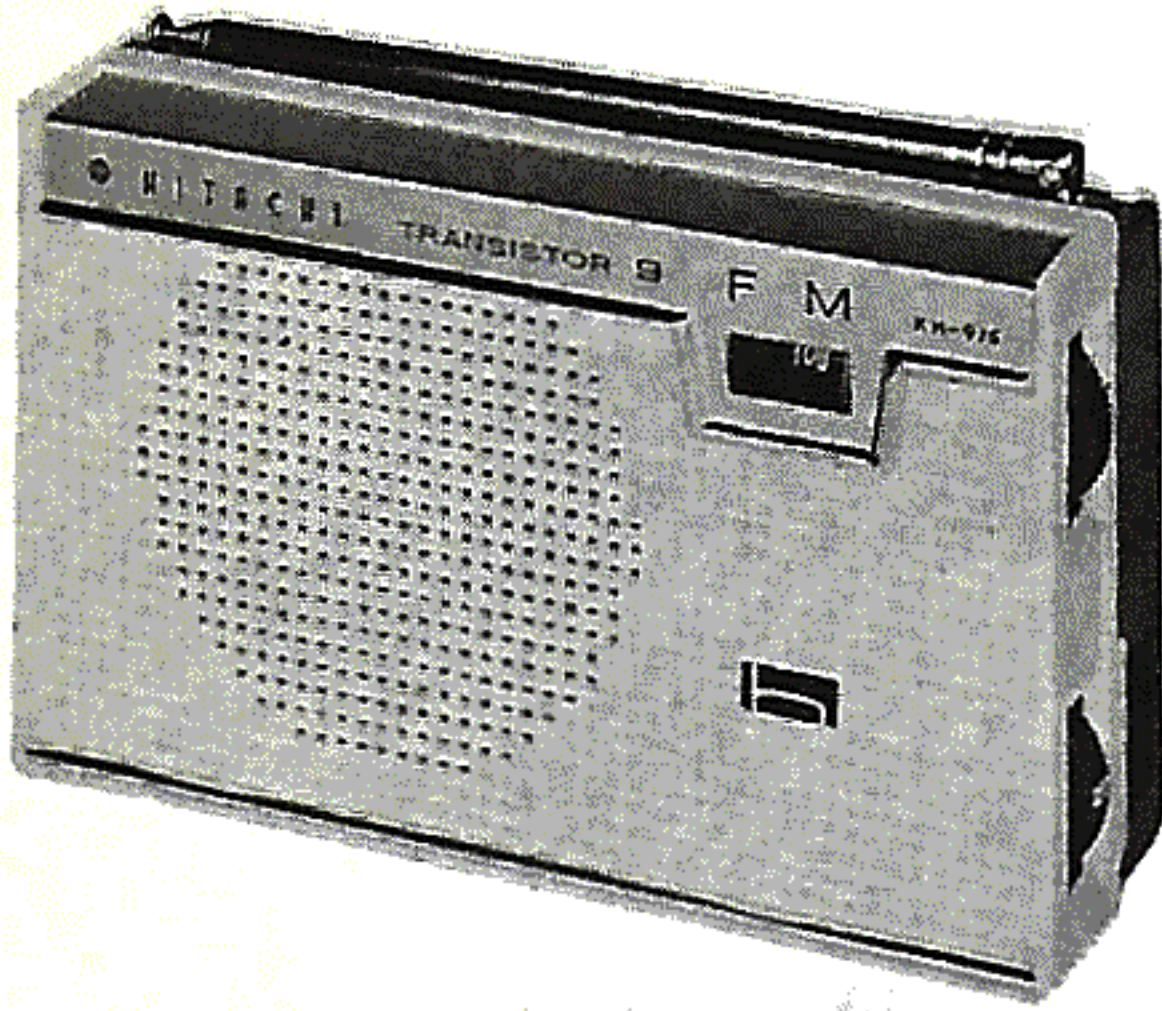




PHOTOFACT[®] with

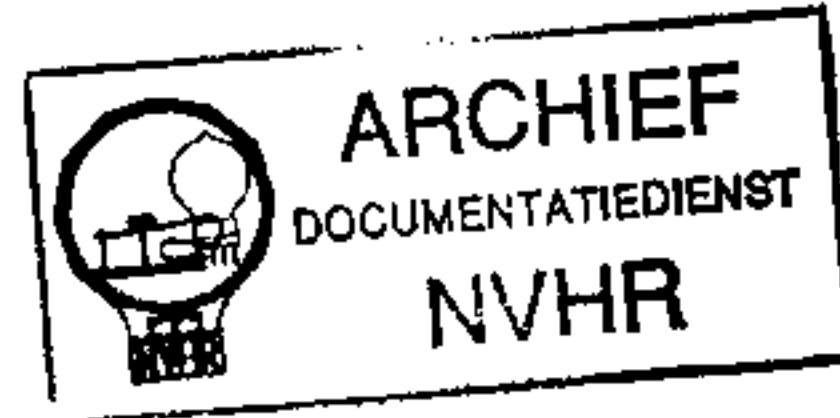
CIRCUITRACE[®]

Met dank aan Jef Bos



TRADE NAME: Hitachi Model KH-915
 SUPPLIER: The Sampson Co., Electronics Div.
 2244 S. Western Ave., Chicago 81, Ill.
 TYPE SET: 10 Transistor FM Receiver
 POWER SUPPLY: 6 Volts DC
 RATING: 14MA @ 6VDC (No Signal, Min. Volume)
 35MA @ 6VDC (Signal, Normal Volume)
 TUNING RANGE: FREQ. MOD. 88 - 110.5MC

Ned. Ver. v. Historie v/d Radio

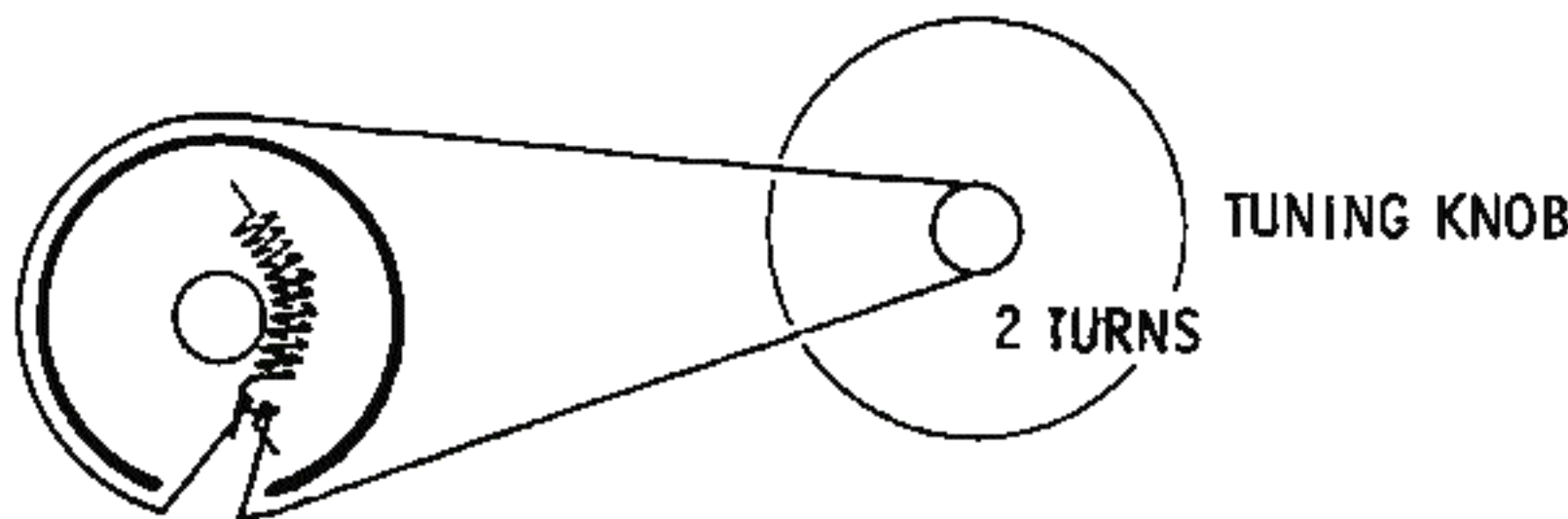


ALIGNMENT INSTRUCTIONS

Check for specified source voltage.
 Fashion loop of several turns of wire and connect generator across loop.
 Adjust output of generator to radiate only enough signal into receiver to obtain a suitable indication.
 Suggested Alignment Tools:
 A1 thru A6, A8.....GENERAL CEMENT #8290, 5000, 5066
 WALSCO #2528, 2525, 2512

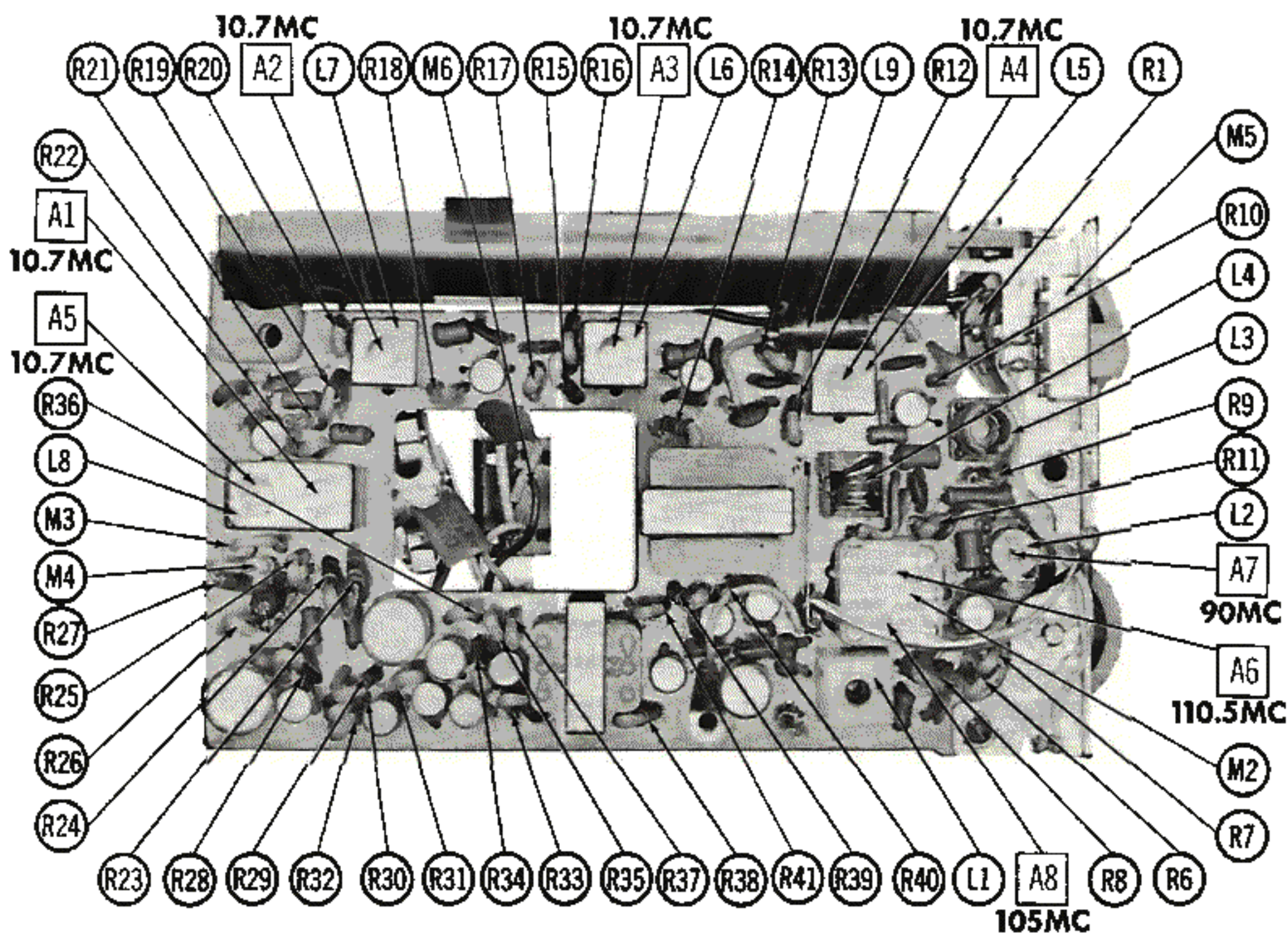
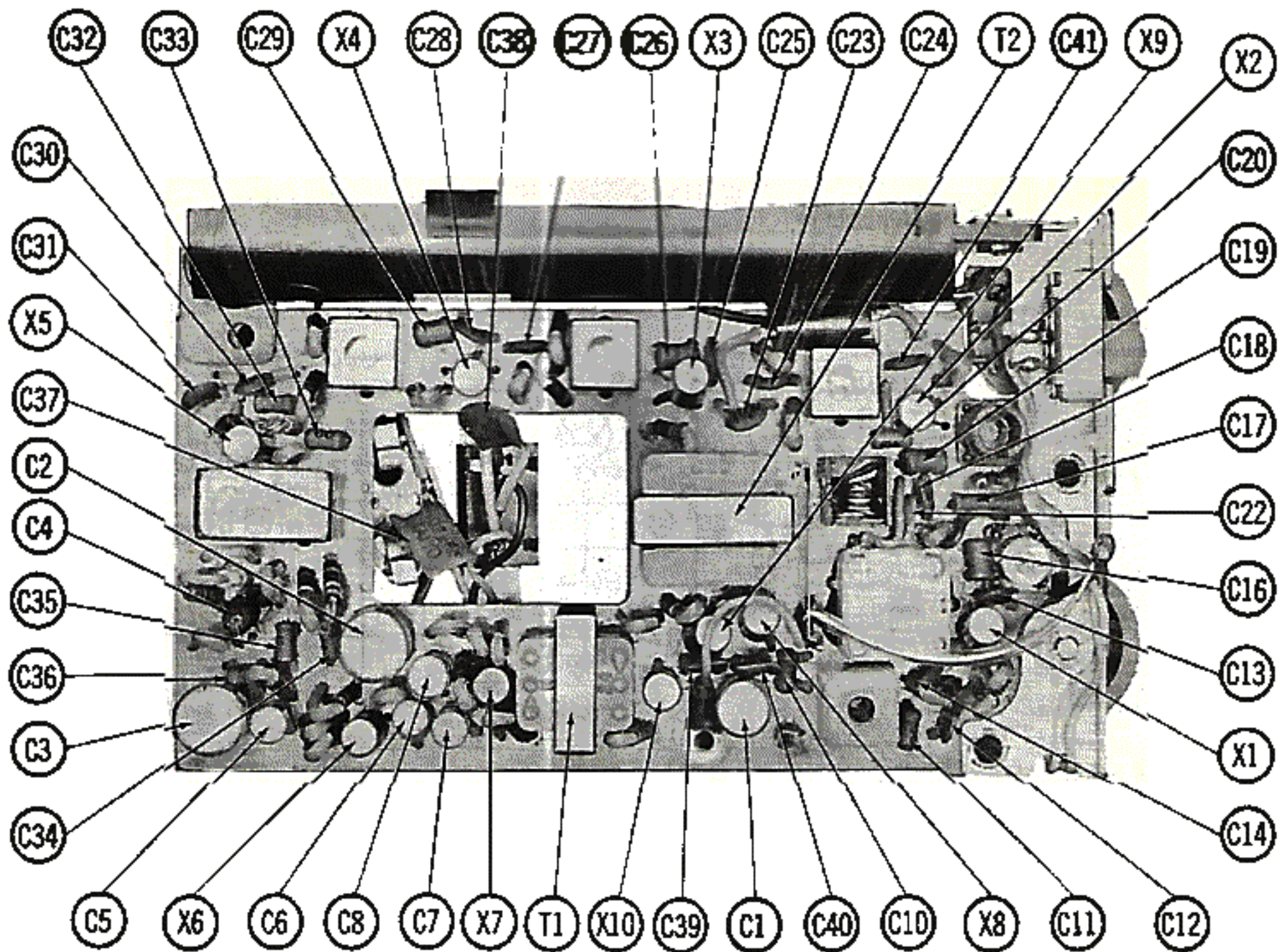
SIGNAL GENERATOR FREQUENCY	RADIO DIAL SETTING	INDICATOR	ADJUST	REMARKS
10.7MC	Tuning gang fully open.	DC probe to VTVM to point $\diamond A$, common to ground.	A1, A2, A3, A4	Adjust for maximum.
10.7MC	"	DC probe to point $\diamond C$, common to ground.	A5	Adjust for zero reading. A positive and negative reading will be obtained on either side of the correct setting.
110.5MC	110.5MC	DC probe to point $\diamond A$, common to ground.	A6	Adjust for maximum.
90MC	90MC	"	A7	"
105MC	105MC	"	A8	"

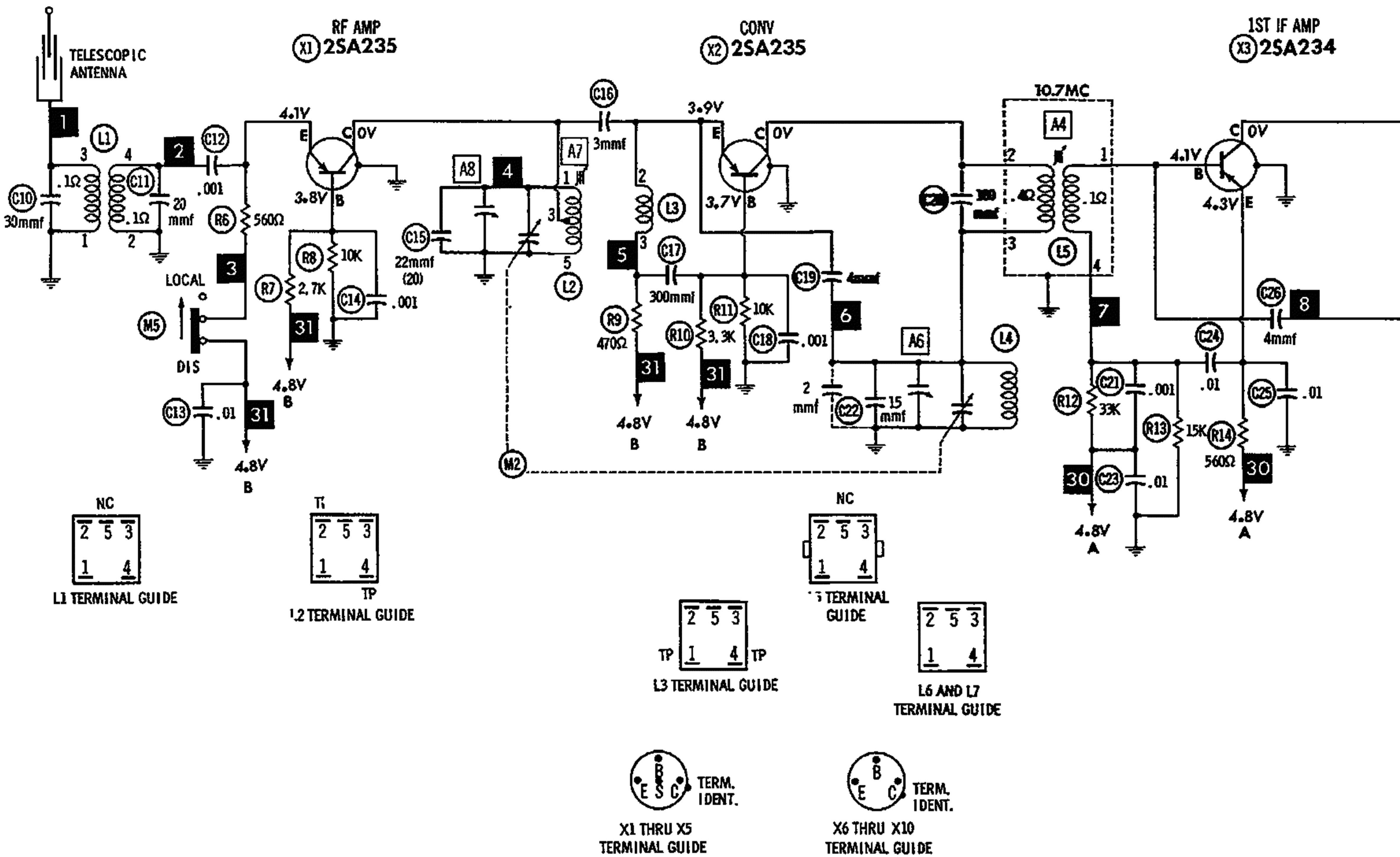
DRIVE CORD STRINGING



TUNING GANG CLOSED

HOWARD W. SAMS & CO., INC. Indianapolis 6, Indiana

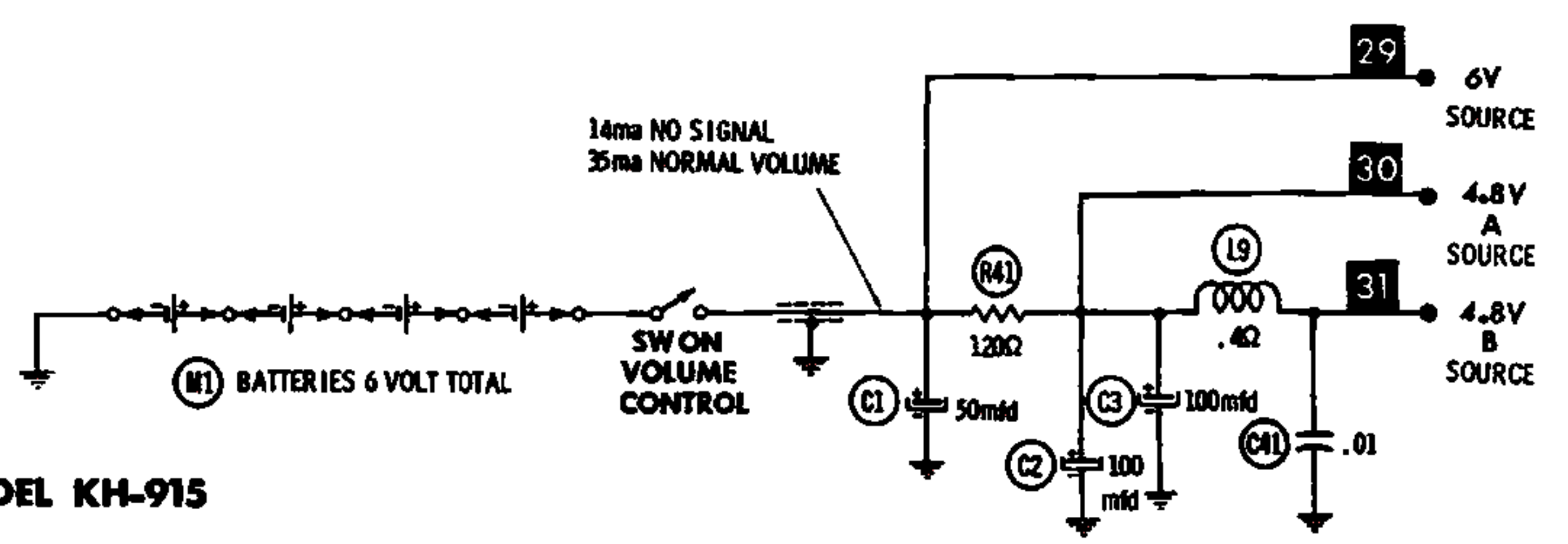
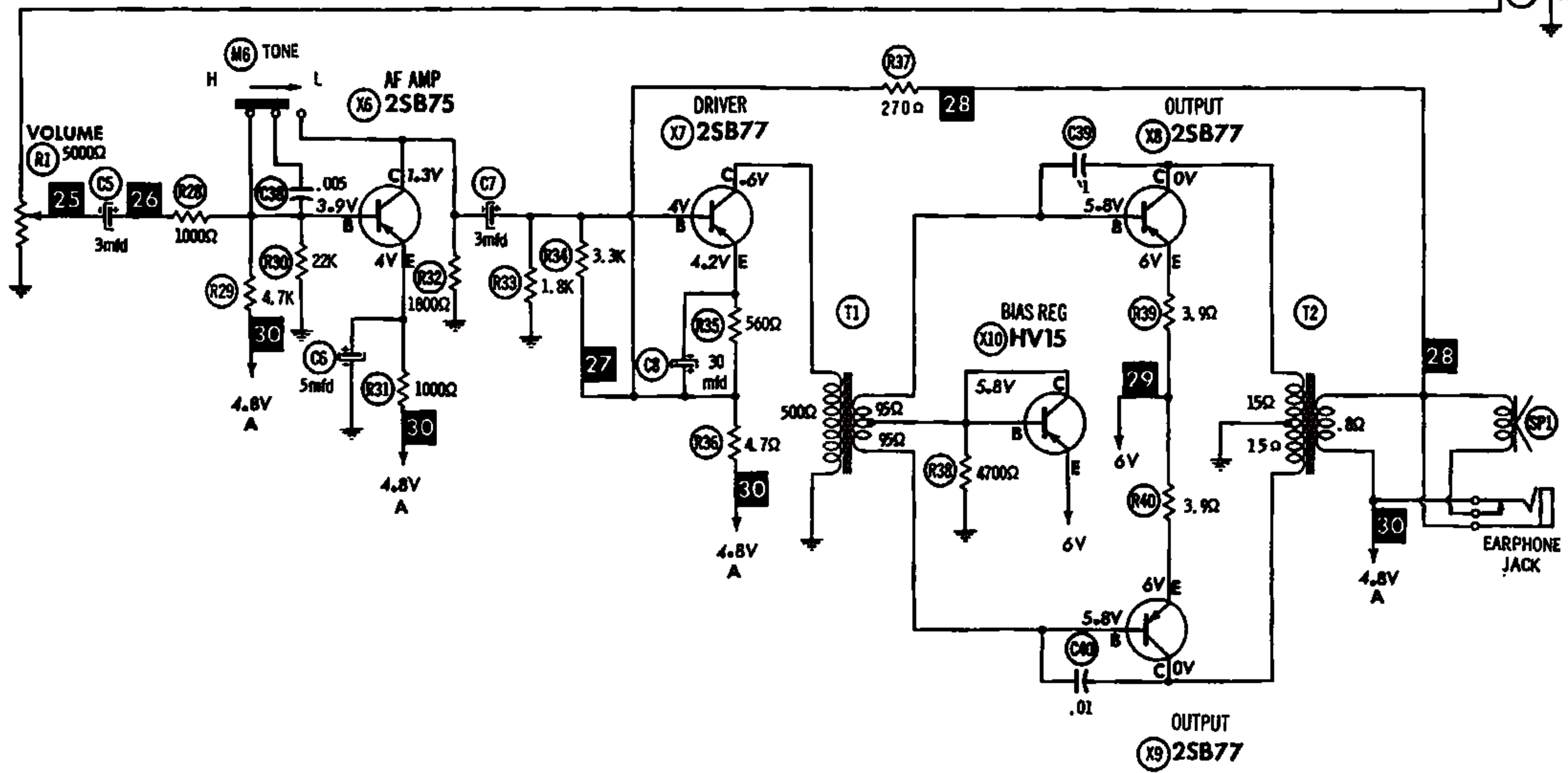
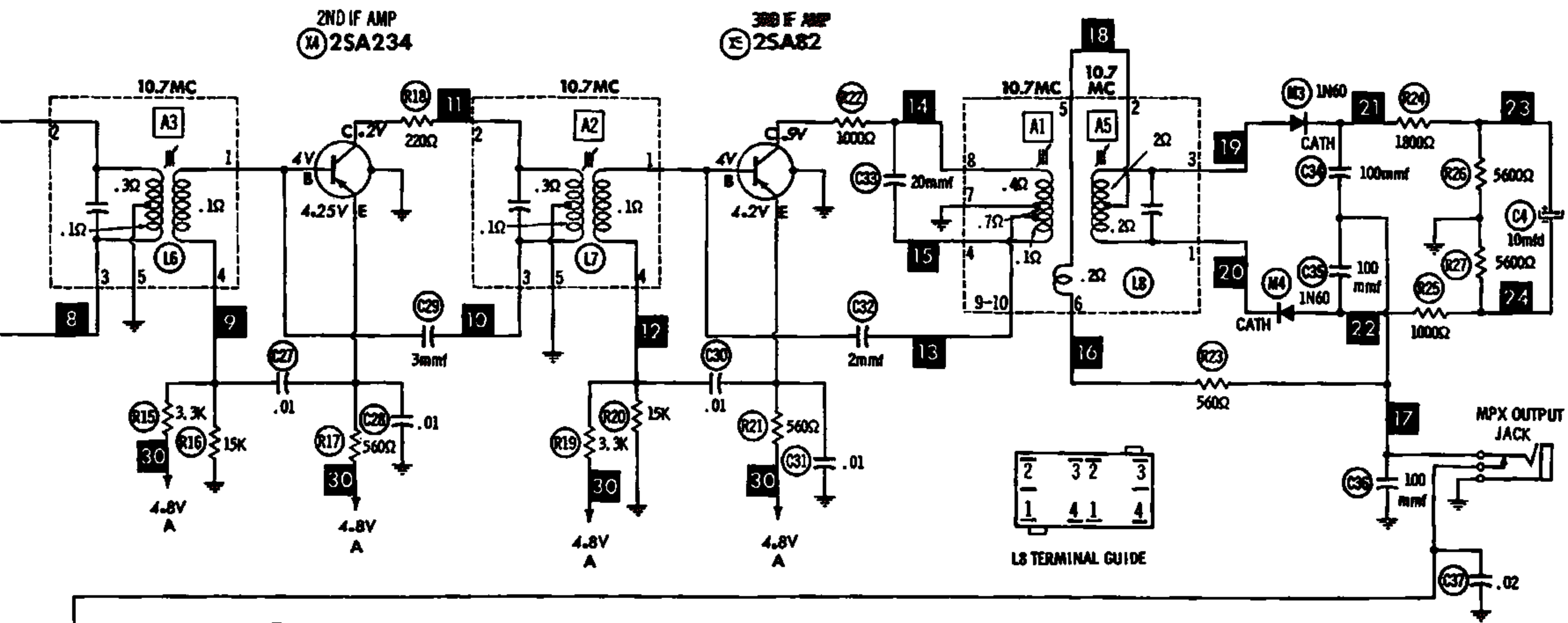




1. Voltage measurements taken with vacuum tube voltmeter.
2. All controls set for normal operation, no signal applied.
3. Measured values are from socket pin or terminal to common ground.
4. All terminals viewed from bottom unless otherwise designated.
5. Numbers assigned to terminals may not be found on the unit.
6. Supply voltage maintained at rated value for voltage readings.
7. Resistance measurements not given because of the wide variation in internal resistance of transistor.

A PHOTOFACIT STANDARD NOTATION SCHEMATIC
with **CIRCUITRACE**

©Howard W. Sams & Co., Inc. 1963



HITACHI MODEL KH-915

WIRING DATA

General-use Unshielded Hook-up Wire Use BELDEN No. 8530 (Solid 22AWG) Available
8524 (Stranded 22AWG) in
8570 (Stranded 26AWG) 12 Colors

TRANSISTORS

ITEM No.	ORIG. TYPE	USE	REPLACEMENT DATA			NOTES
			DELCO PART No.	GENERAL ELECTRIC PART No.	RCA PART No.	
X1	2SA235	RF Amplifier	DS-25	GE-1		PNP
X2	2SA235	Converter	DS-25	GE-1		PNP
X3	2SA234	1st IF Amplifier	DS-25	GE-1		PNP
X4	2SA234	2nd IF Amplifier	DS-25	GE-1		PNP
X5	2SA82	3rd IF Amplifier	DS-25	GE-1		PNP
X6	2SB75	AF Amplifier	DS-26	GE-2	2N408	PNP
X7	2SB77	Driver	DS-26	GE-2	2N408	PNP
X8	2SB77	Output	DS-26	GE-2	2N408	PNP
X9	2SB77	Output	DS-26	GE-2	2N408	PNP
X10	HV15	Bias Regulator			1N2326	PNP

ELECTROLYTIC CAPACITORS

ITEM No.	RATING		REPLACEMENT DATA						
	CAP.	VOLT.	HITACHI PART No.	AEROVOX PART No.	CORNELL-DUBILIER PART No.	GENERAL ELECTRIC PART No.	GENERAL INSTRUMENT PART No.	MALLORY PART No.	SPRAGUE PART No.
C1	50	6	258519	BCD6050			MLV50-6	TT6X50	TE-1100
C2	100	6	259019	CRE323			MLV100-6		TE-1102
C3	100	6	259019	CRE323			MLV100-6		TE-1102
C4	10	10	258053	BCD10010	NLW10-15	MT1-5	MLV10-10	PET1340	TE-1114
C5	3	6	257031	BCD6003	NLW3-15	MT1-3		TT6X3	TE-1082
C6	5	6	257503	BCD6005	NLW5-6	MT1-3	MLV5-6	TT6X5	TE-1084
C7	3	6	257031	BCD6003	NLW3-15	MT1-3		TT6X3	TE-1082
C8	30	3	258515	CRE213	NLW30-6	MT1-13	MLV30-6	TT6X30	TE-1092

FIXED CAPACITORS

ITEM No.	RATING	REMARKS	REPLACEMENT DATA					
			AEROVOX PART No.	CENTRALAB PART No.	CORNELL-DUBILIER PART No.	ELMENCO PART No.	MALLORY PART No.	SPRAGUE PART No.
C10	30		NPO-SI 30	TCZ-30	C10Q33C	CCTO-300	CNO-433	10TCC-Q30
C11	20		NPO-SI 20	TCZ-20	C10Q20C	CCTO-200	CNO-422	10TCC-Q20
C12	.001			DM-102	H05D1			
C13	.01		TTD-01	CK-103	H2		TA-110	TG-S10
C14	.001			DM-102	H05D1			
C15	22		NPO-SI 22	TCZ-22	C10Q22C	CCTO-220	CNO-422	10TCC-Q22
C16	3		NPO-SI 3.0	TCZ-3R3	C10V33C	CCTO-3R3	CNO-533	10TCC-V30
C17	300		SI 300	TCZ-300	LA10T3	CCD-301	GP330	10TCC-T30
C18	.001			DM-102	H05D1			
C19	4							10TCC-V39
C20	100		NPO-SI 100	TCZ-100	C10T1C	CCTO-101	CNO-310	10TCC-T10
C21	.001			DM-102	H05D1			
C22	15		NPO-SI 15	TCZ-15	C10Q15C	CCTO-150	CNO-415	10TCC-Q15
C23	.01		TTD-01	CK-103	H2		TA-110	TG-S10
C24	.01		TTD-01	CK-103	H2		TA-110	TG-S10
C25	.01		TTD-01	CK-103	H2		TA-110	TG-S10
C26	4							10TCC-V39
C27	.01		TTD-01	CK-103	H2		TA-110	TG-S10
C28	.01		TTD-01	CK-103	H2		TA-110	TG-S10
C29	3		NPO-SI 3.0	TCZ-3R3	C10V33C	CCTO-3R3	CNO-533	10TCC-V30
C30	.01		TTD-01	CK-103	H2		TA-110	TG-S10
C31	.01		TTD-01	CK-103	H2		TA-110	TG-S10
C32	2		NPO-SI 2	TCZ-2R2	C10V22C	CCTO-2R2	CNO-522	10TCC-V22
C33	20		NPO-SI 20	TCZ-20	C10Q20C	CCTO-200	CNO-422	10TCC-Q20
C34	100		NPO-SI 100	TCZ-100	C10T1C	CCTO-101	CNO-310	10TCC-T10
C35	100		NPO-SI 100	TCZ-100	C10T1C	CCTO-101	CNO-310	10TCC-T10
C36	100		NPO-SI 100	TCZ-100	C10T1C	CCTO-101	CNO-310	10TCC-T10
C37	.02		TTD-02	CK-203	H3		TA-120	TG-S20
C38	.005		TTD-005	CK-502	H1		TA-250	TG-D50
C39	.01		TTD-01	CK-103	H2		TA-110	TG-S10
C40	.01		TTD-01	CK-103	H2		TA-110	TG-S10
C41	.01		TTD-01	CK-103	H2		TA-110	TG-S10

DESCRIPTION

CONTROLS

All wattages 1/2 watt, or less, unless otherwise listed.

ITEM No.	USE	RESIST-ANCE	REPLACEMENT DATA				
			HITACHI PART No.	CENTRALAB PART No.	CLAROSTAT PART No.	CTS-IRC PART No.	MALLORY PART No.
R1	Volume & Switch	5000Ω	151566				

COILS (RF-IF)

ITEM No.	USE	REPLACEMENT DATA					NOTES
		HITACHI PART No.	MERIT PART No.	MILLER PART No.	STANCOR PART No.	WORKMAN PART No.	
L1	Ant. Trans.						
L2	RF						
L3	RF Choke						
L4	Osc.						
L5	1st IF	322234					
L6	2nd IF	322233					
L7	3rd IF	322233					
L8	Discriminator	326002					
L9	Choke						

TRANSFORMER (DRIVER)

ITEM No.	TURNS RATIO		REPLACEMENT DATA					NOTES
	PRI.	SEC.	HITACHI PART No.	MERIT PART No.	STANCOR PART No.	THORDARSON PART No.	TRIAD PART No.	
T1	1.5	1	441038					
	6K	2.5K						

TRANSFORMER (AUDIO OUTPUT)

ITEM No.	IMPEDANCE		REPLACEMENT DATA					NOTES
	PRI.	SEC.	HITACHI PART No.	MERIT PART No.	STANCOR PART No.	THORDARSON PART No.	TRIAD PART No.	
T2	500Ω CT	6-8Ω	451041					

SPEAKER

ITEM No.	TYPE	REPLACEMENT DATA		NOTES
		HITACHI PART No.	QUAM PART No.	
BPI	3" PM 6-8Ω	522030		

BATTERIES

ITEM No.	VOLTAGE	HITACHI PART No.	REPLACEMENT DATA			NOTES
			BURGESS	EVEREADY	MALLORY	
M1	6		930 (or AL-9, Hg-9)	1015 (or K91, K9)	M-15R (or MN1500, ZM-9)	4 Required

MISCELLANEOUS

ITEM No.	PART NAME	HITACHI PART No.	NOTES
M2	Tuning Cap.	282044	
M3	Ratio Detector (1N60)	575005	
M4	Ratio Detector (1N60)	575005	
M5	Switch, Local-Distant	532091	
M6	Switch, Tone	532091	

CABINETS & CABINET PARTS

(When Ordering Specify Model, Chassis & Color)

ITEM	PART No.	ITEM	PART No.
Knob - Tuning	614827	Cabinet Front	614827
Knob - Volume	614825	Cabinet Back	614827

