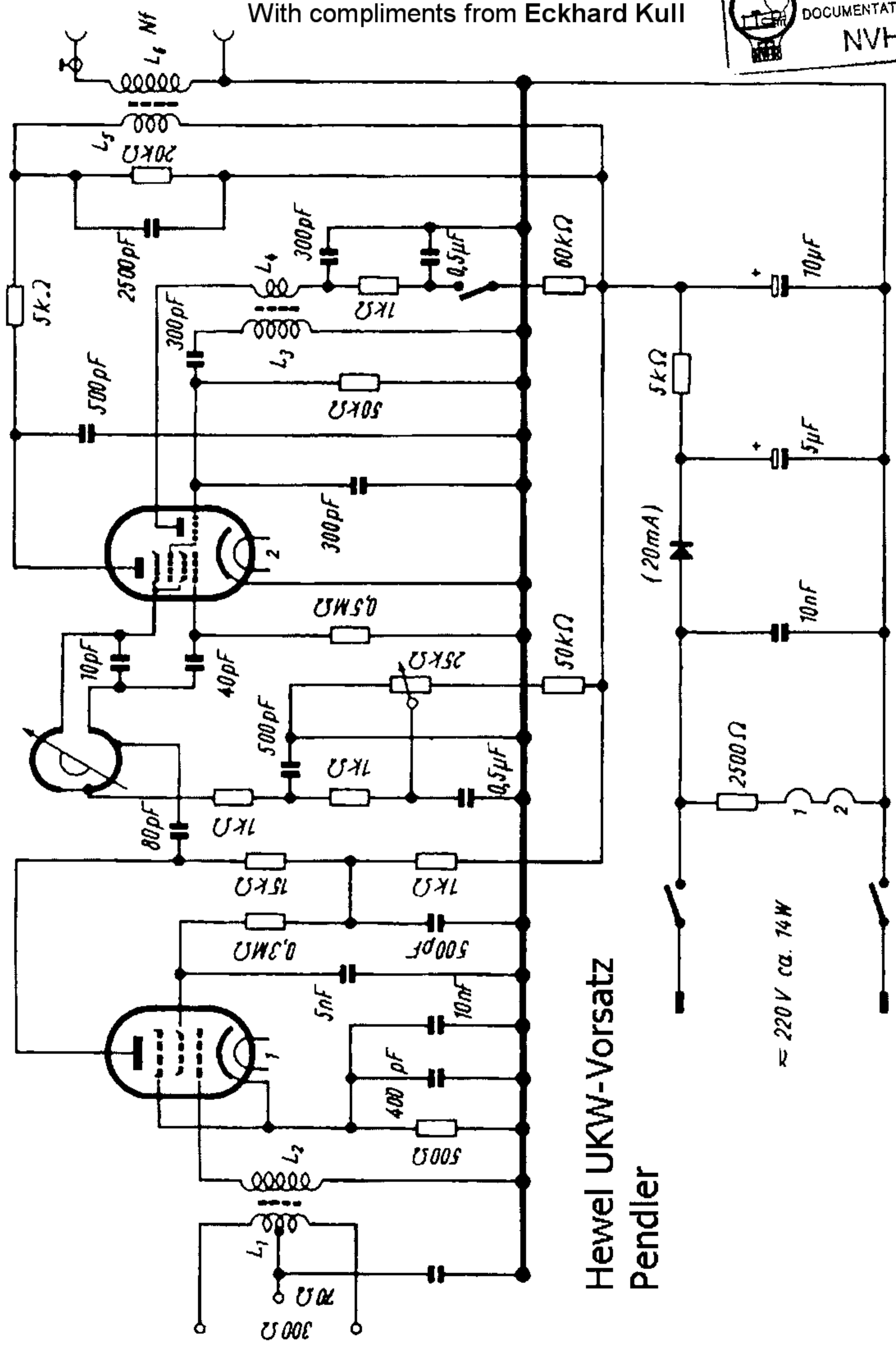


VF 14

VCH 11

With compliments from Eckhard Kull



Hewlet UKW-Vorsatz
Pendler

≈ 220 V ca. 14W