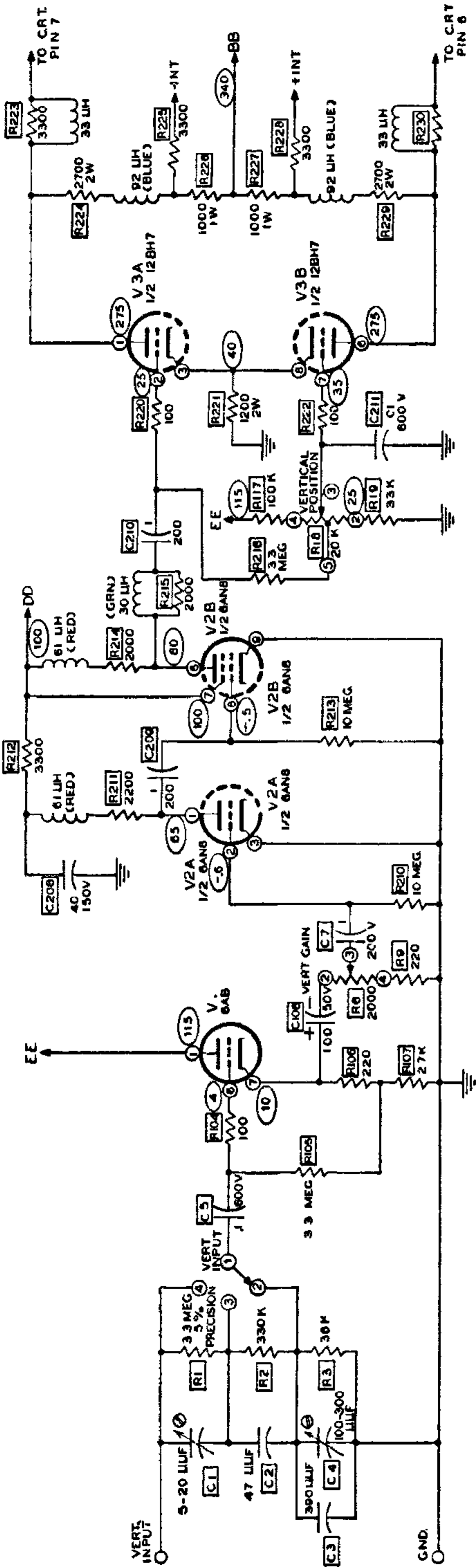
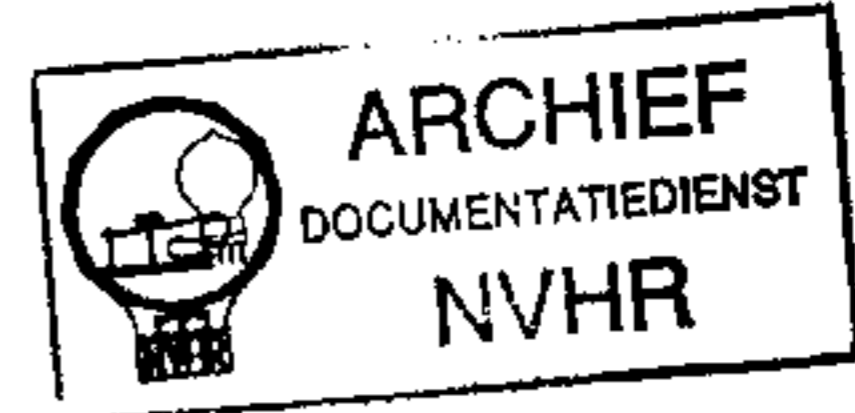
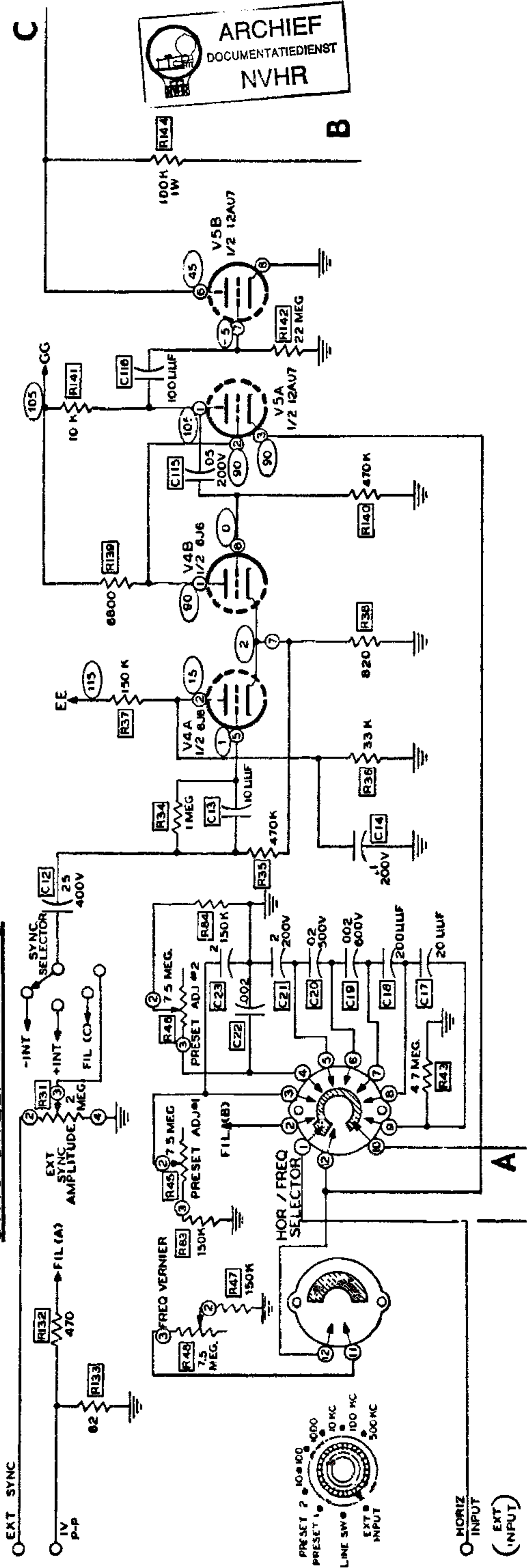


VERTICAL AMPLIFIER



SYNC-SWEEP-BLANKING



HORIZONTAL AMPLIFIER

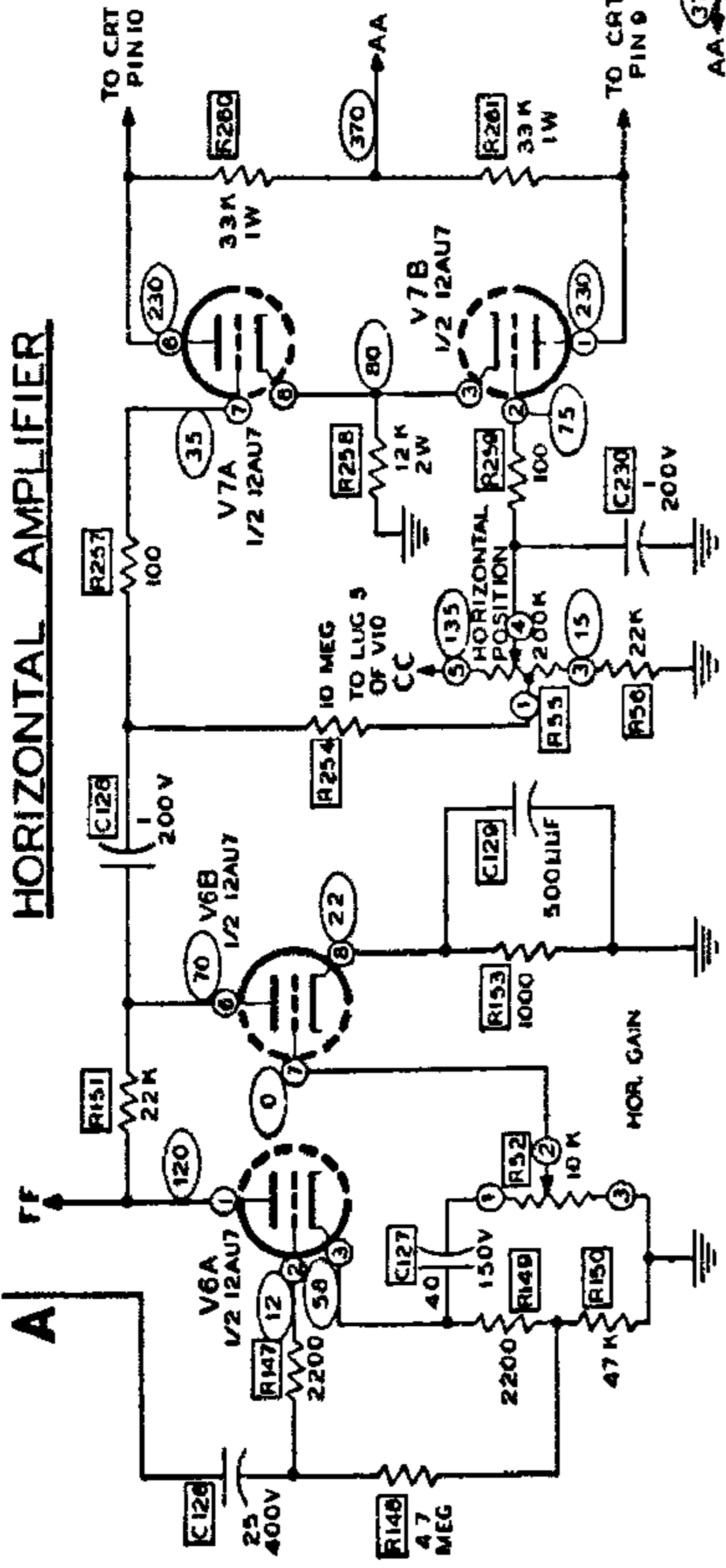
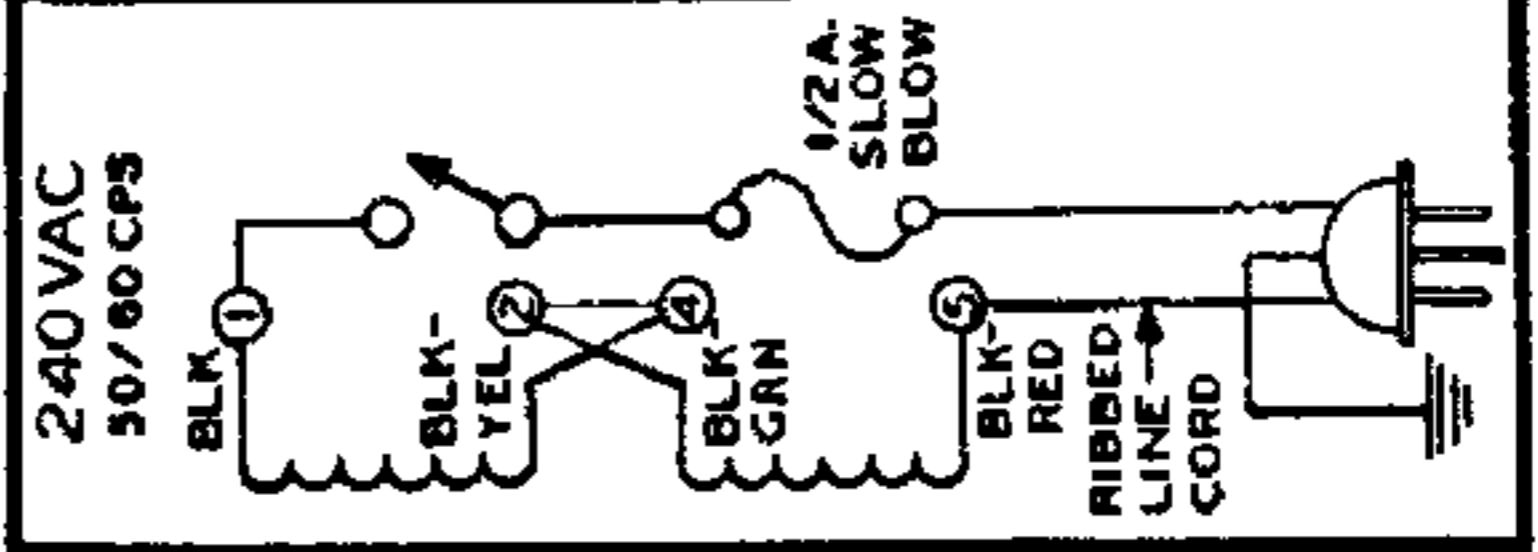
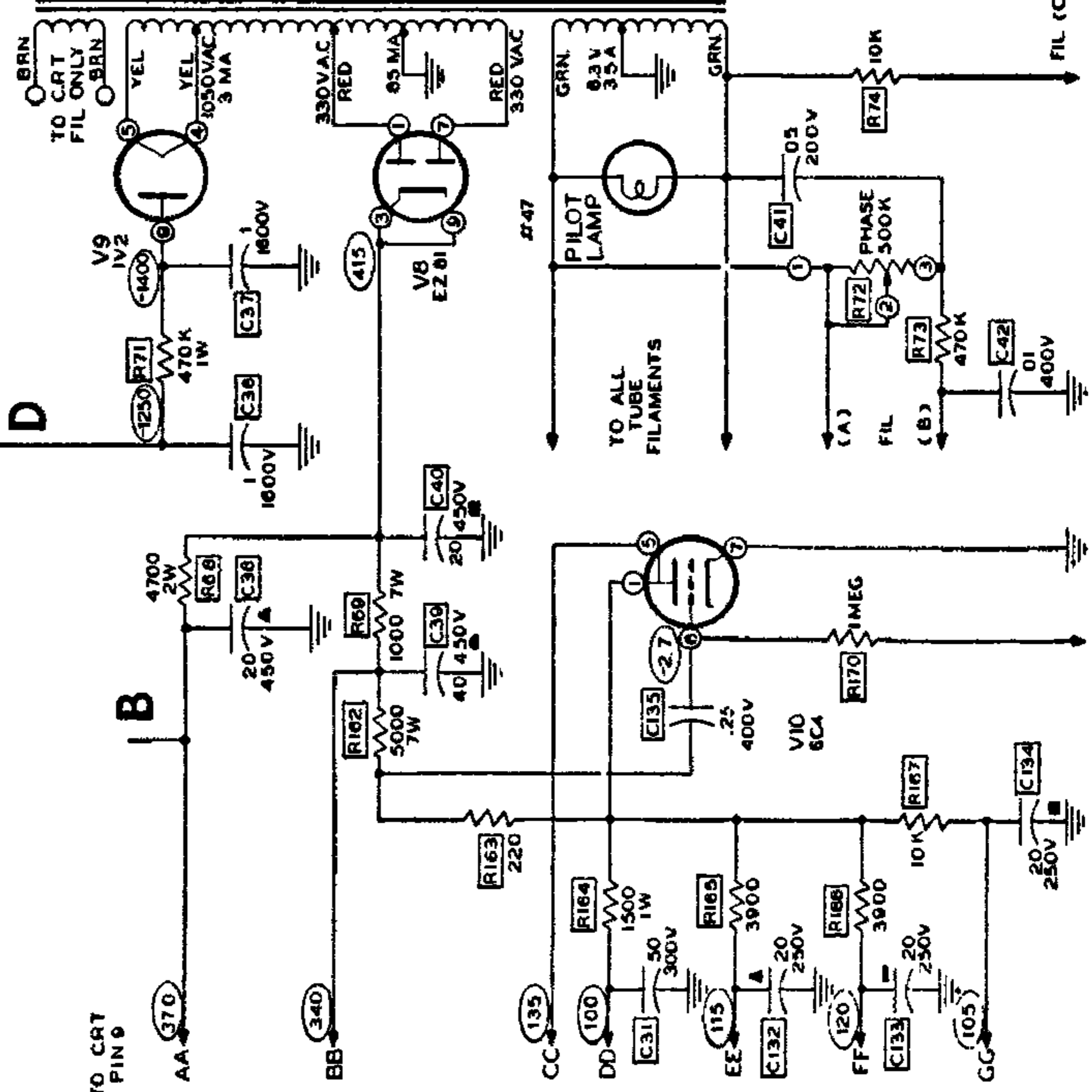
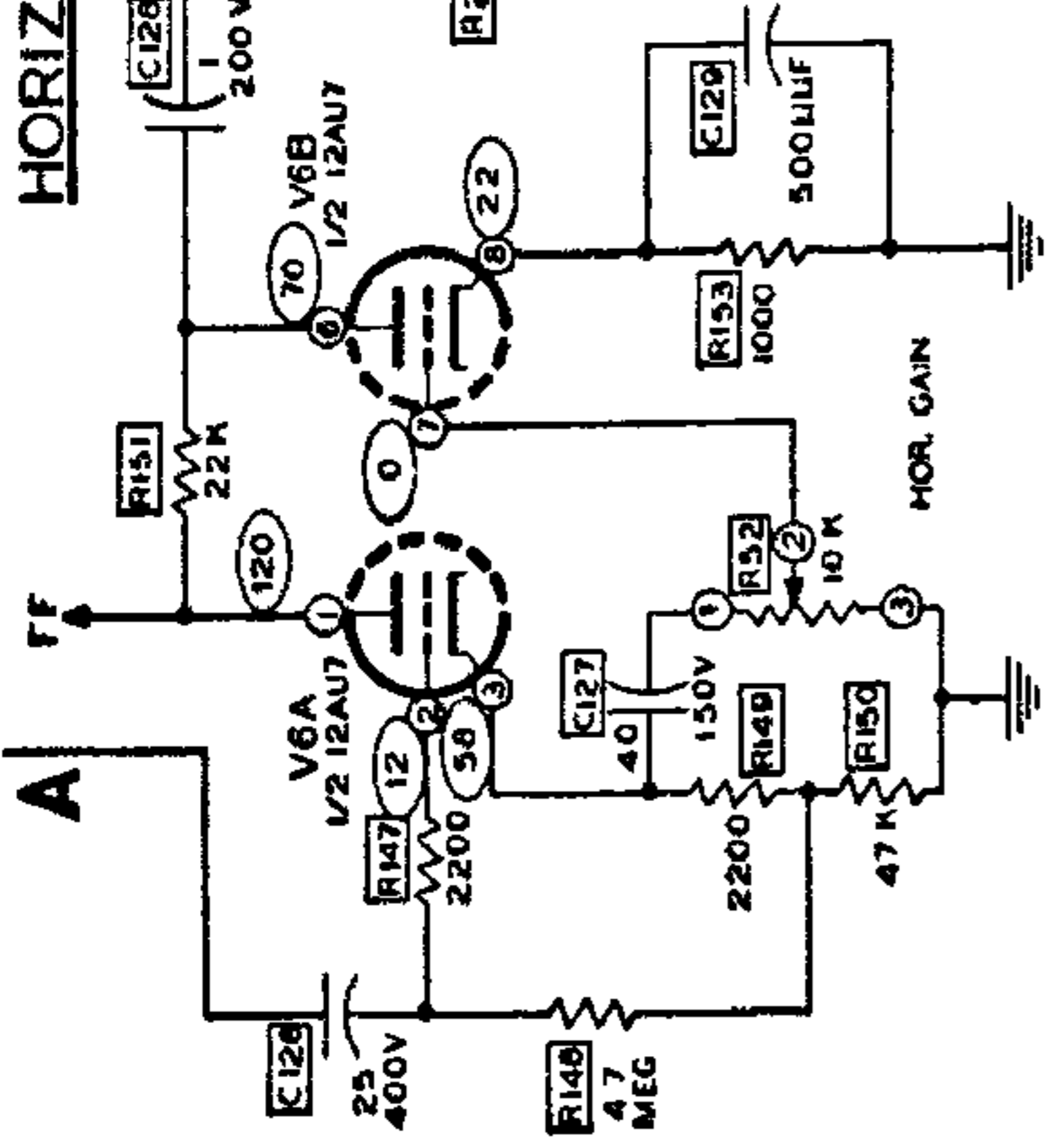


Fig. 4-23. Schematic of the Heath 10-18 oscilloscope

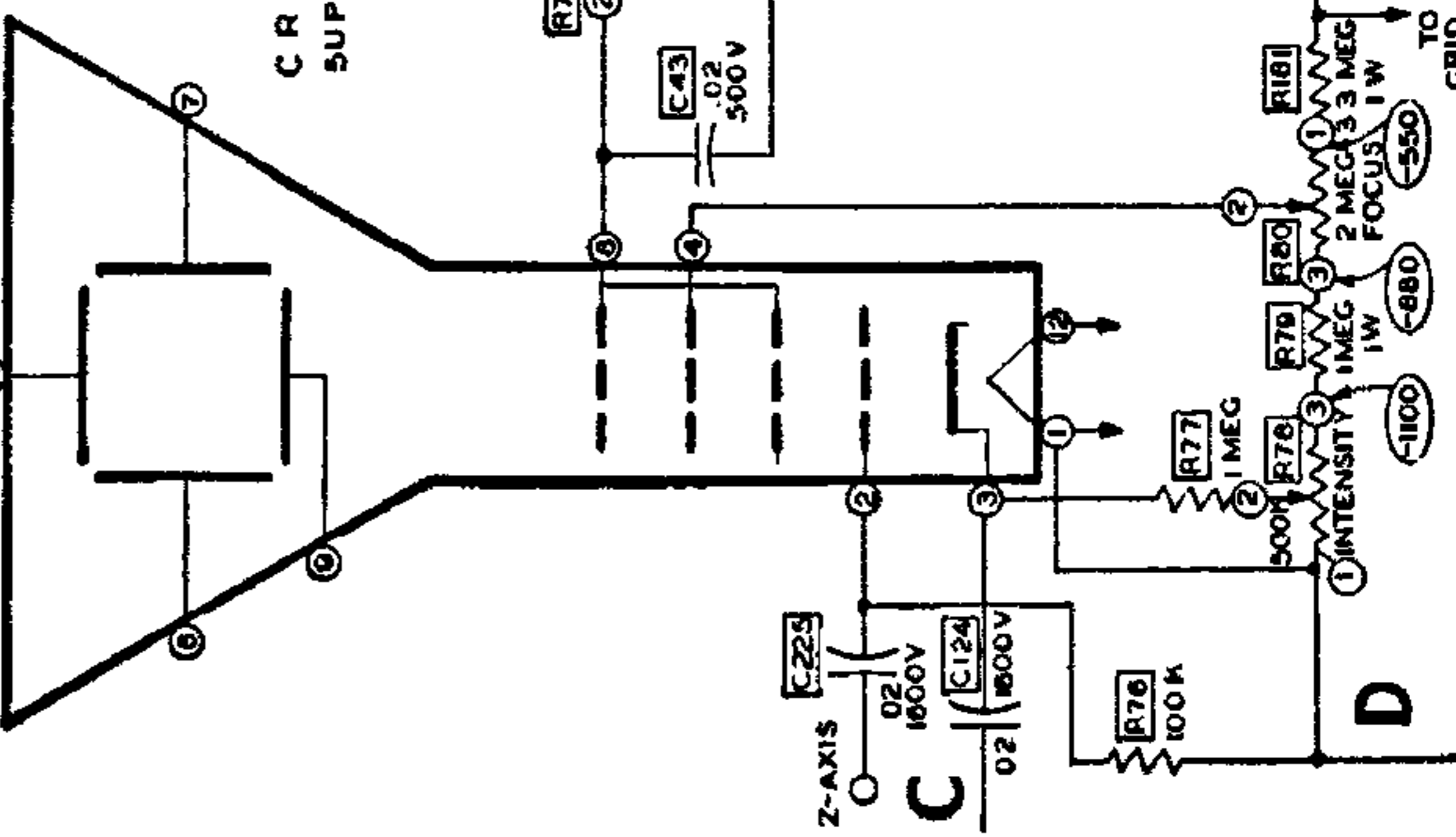
POWER SUPPLY



Z-AXIS

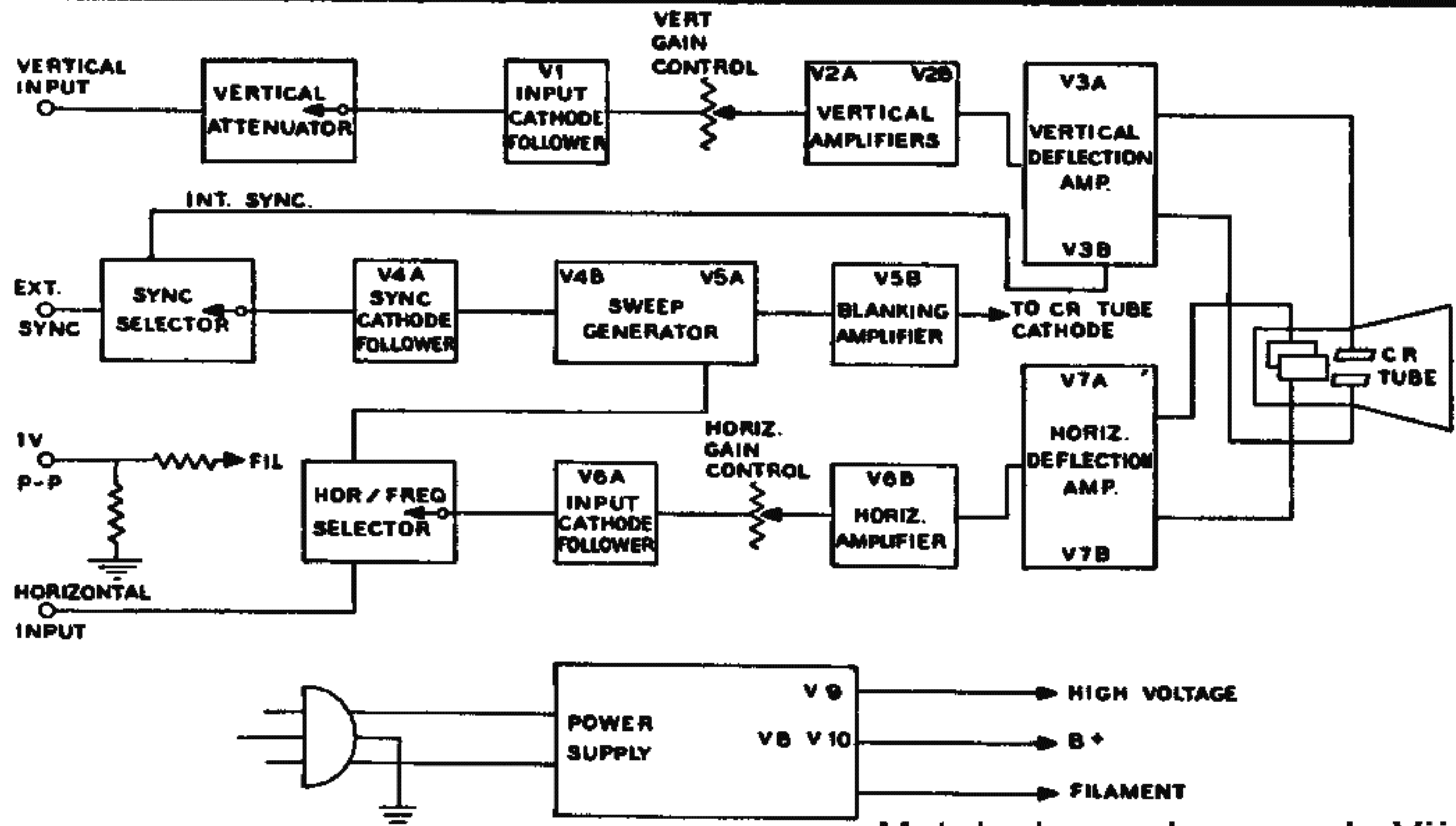


CRT



TO H V BLEEDER RESISTERS R181-R182

TO V10 GRID RETURN



Met dank aan Jan van de Vijver

Fig. 4-22. Functional block diagram of the Heath 10-18 oscilloscope.