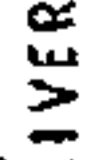
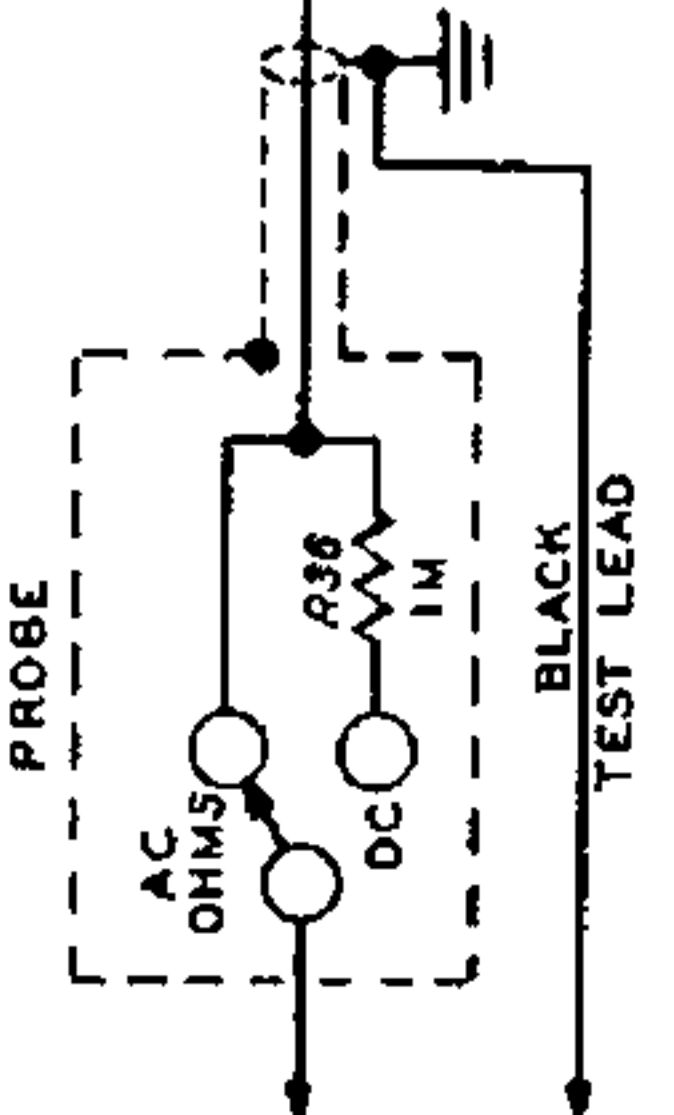
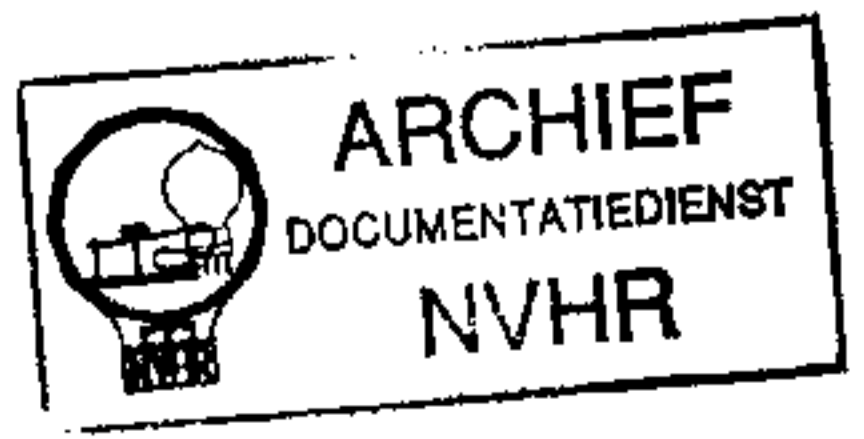


- NOTES:
1. ALL SWITCHES VIEWED FROM REAR.
 2. RANGE SWITCH IN 1.5V POSITION.
 3. FUNCTION SWITCH IN AC POSITION.
 4. ALL RESISTOR VALUES IN OHMS (K-100, M-1,000,000).
 5. ALL RESISTORS ARE 1/2 WATT UNLESS OTHERWISE SPECIFIED.
 6.  INDICATES SCREWDRIVER ADJUSTMENT.
 7. ALL VOLTAGES MEASURED WITH A VTVM OR 20,000 OHMS/VOLTMETER

Ned. Ver. v. Historie v/d Radio



**SCHEMATIC OF THE
HEATHKIT®
VTVM
MODEL IM-18**

