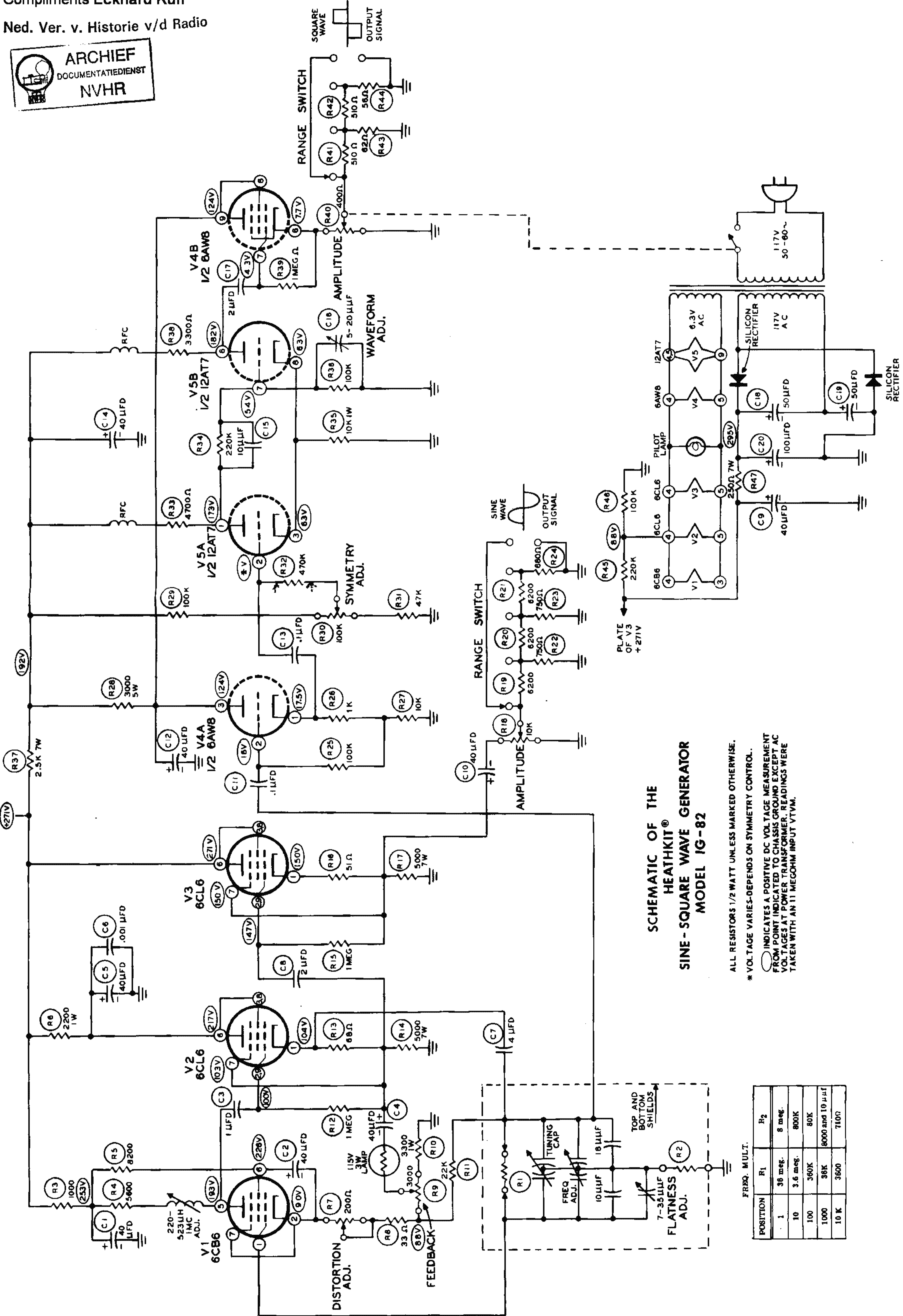
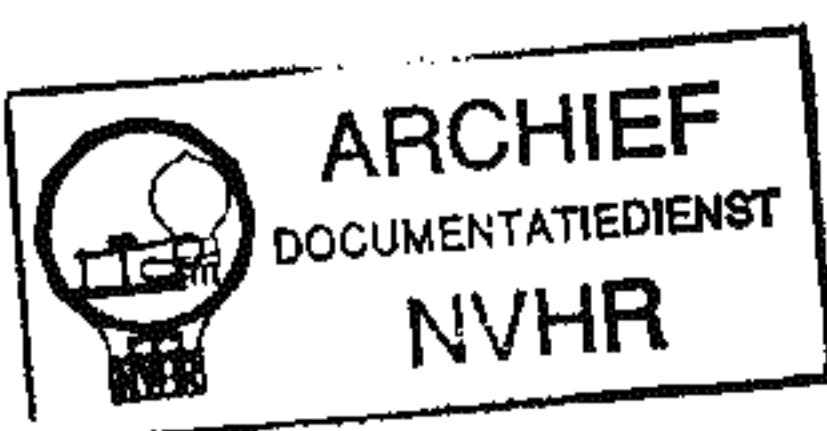


HEATHKIT Sinus- und Rechteckwellengenerator IG-82



SCHEMATIC OF THE HEATHKIT® SINE-SQUARE WAVE GENERATOR MODEL IG-82

* ALL RESISTORS 1/2 WATT UNLESS MARKED OTHERWISE.
 ○ VOLTAGE VARIES-DEPENDS ON SYMMETRY CONTROL.
 ○ INDICATES A POSITIVE DC VOLTAGE MEASUREMENT FROM POINT INDICATED TO CHASSIS GROUND EXCEPT AC VOLTAGES AT POWER TRANSFORMER. READINGS WERE TAKEN WITH AN 11 MEGOHM INPUT VTVM.

FREQ. MULT.

POSITION	R1	R2
1	36 meg.	8 meg.
10	3.6 meg.	800K
100	360K	80K
1000	36K	8000 and 10 µF
10 K	3600	7100