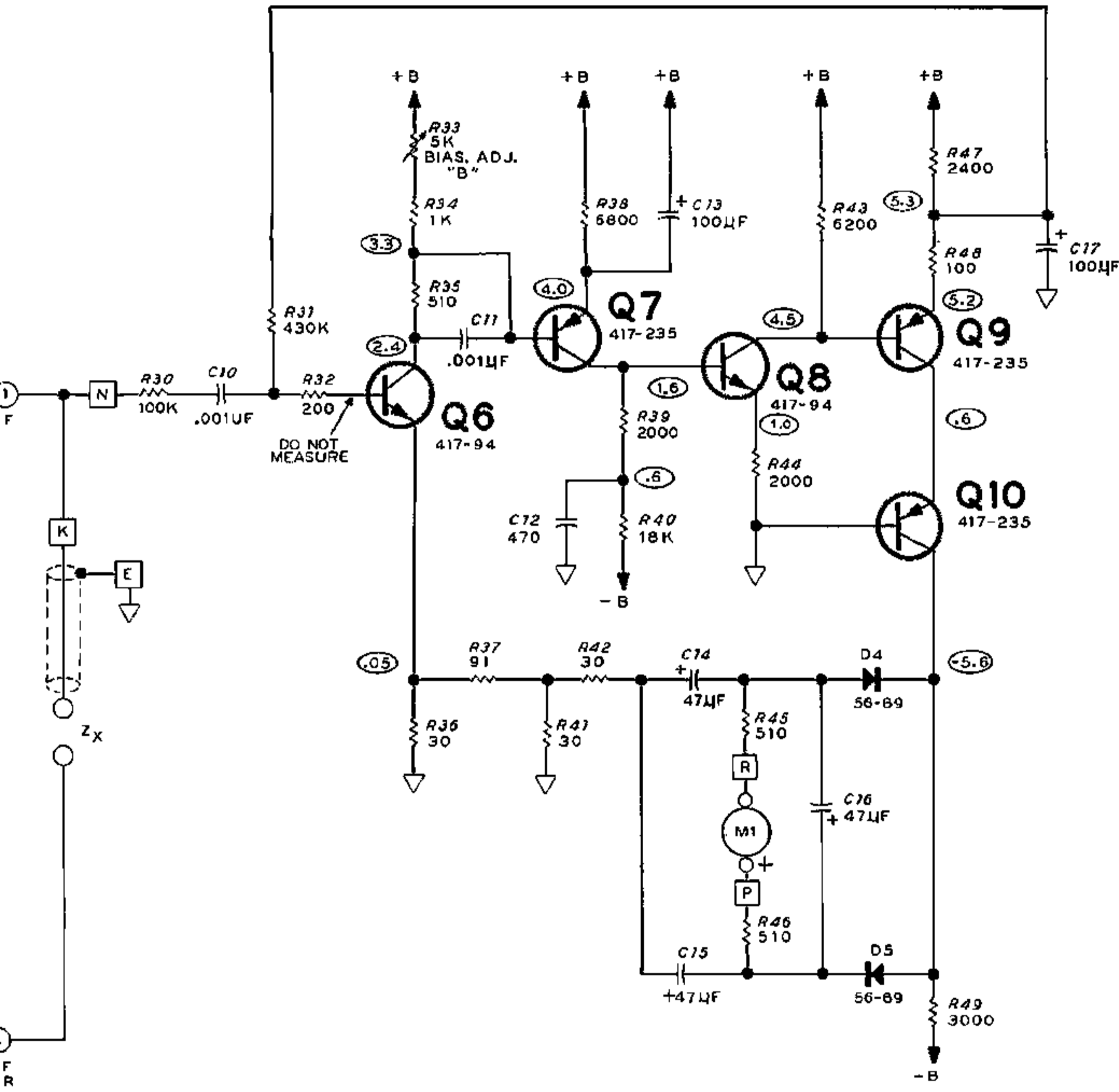


SCHEMATIC OF HEATHKIT® MODEL IB-5281 RLC BRIDGE



NOTES:

1. ALL RESISTORS ARE 1/2 WATT, SPECIFIED. RESISTOR VALUES M=1,000,000).
2. CAPACITORS ARE IN PF UNLESS
3. SW1 AND SW3 ARE SLIDE SWITCH ROTARY SWITCH.
4. ○ THIS SYMBOL INDICATES / UNDER THE FOLLOWING CONDIT INDICATED TO CHASSIS GROUND IMPEDANCE VOLTMEETER:
 - A. $Z_X=0$
 - B. LEVEL CONTROL-MAXI
 - C. BALANCE CONTROL-CE
 - D. RANGE SWITCH-EXT.
5. ▽ THIS SYMBOL INDICATES C
6. ○ THIS SYMBOL INDICATES A
7. [A] THIS SYMBOL INDICATES A CONNECTION THAT IS SOLDE
8. VOLTAGES MAY VARY 10%.
9. +A AND -A INDICATE AC GENER
10. +B AND -B INDICATE METER AN
11. WAVEFORMS ARE TAKEN WITH T Zs POSITION.

