

**Q1
INPUT
AMPLIFIER**

SENSITIVITY

IC1: TRIGGER CIRCUIT

**IC2:
DIVIDE-BY-2
CIRCUIT**

**IC3, IC4, AND
METOR**

INPUT

SW1

SW2 10

SW3 100

OUTPUT

**Q3
BUFFER**

**CONSTANT
CURRENT
AMPLIFIER**

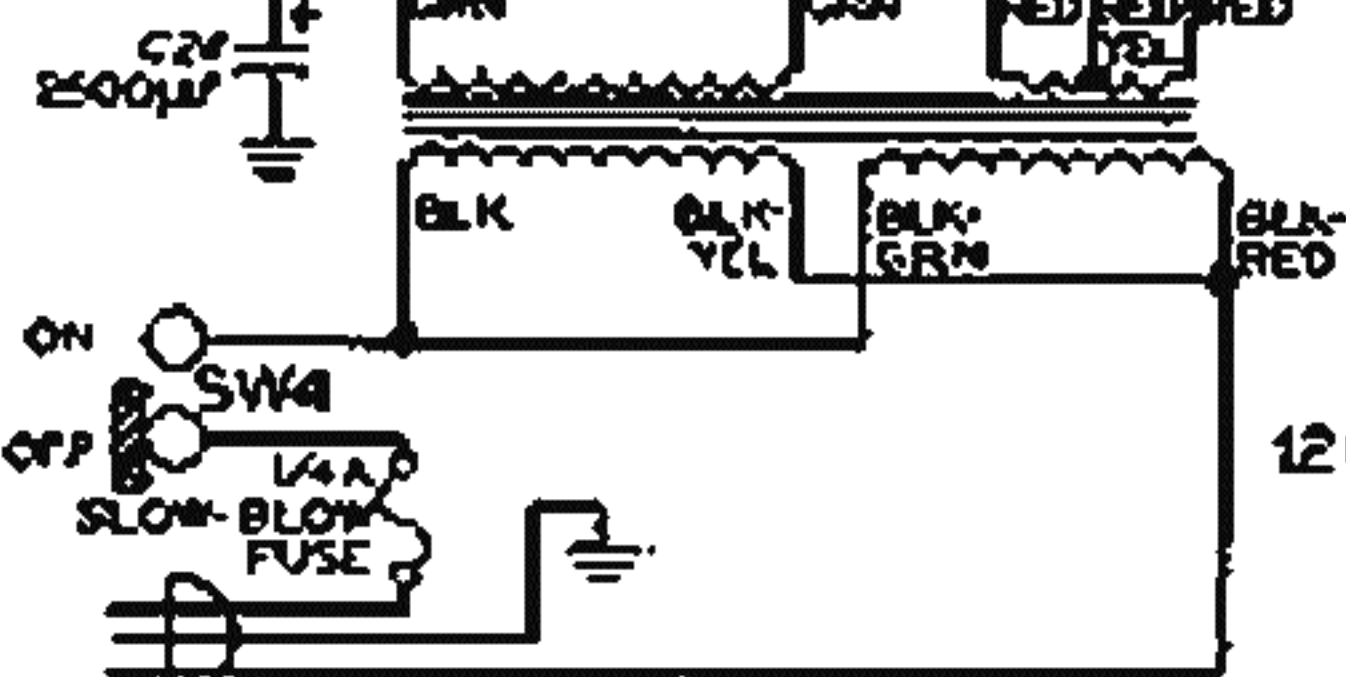
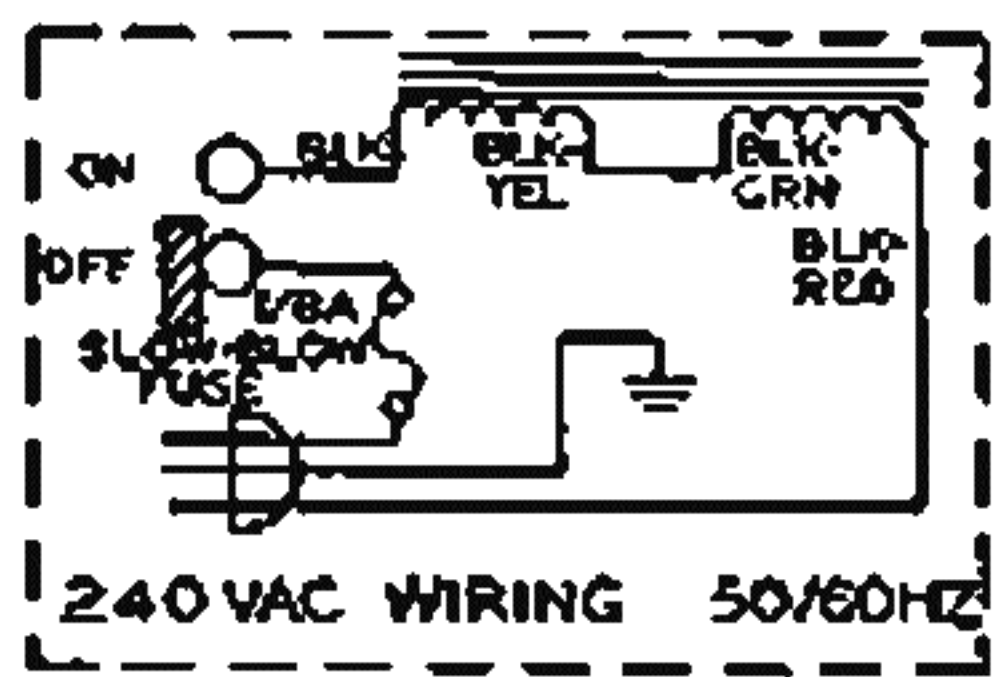
PASS TRANSISTORS

**-5
VOLT
SOURCE**

**+5
VOLT
SOURCE**

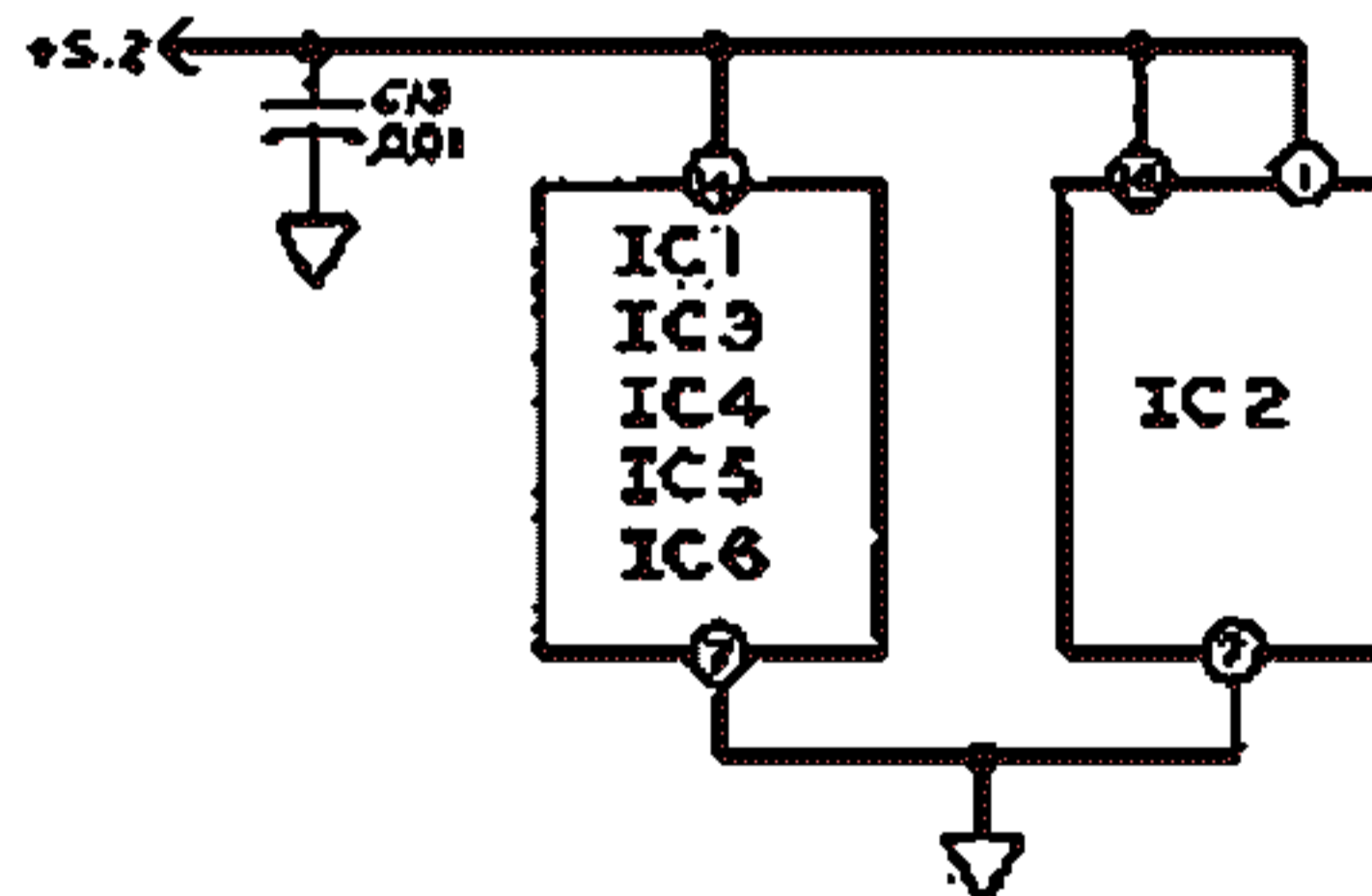
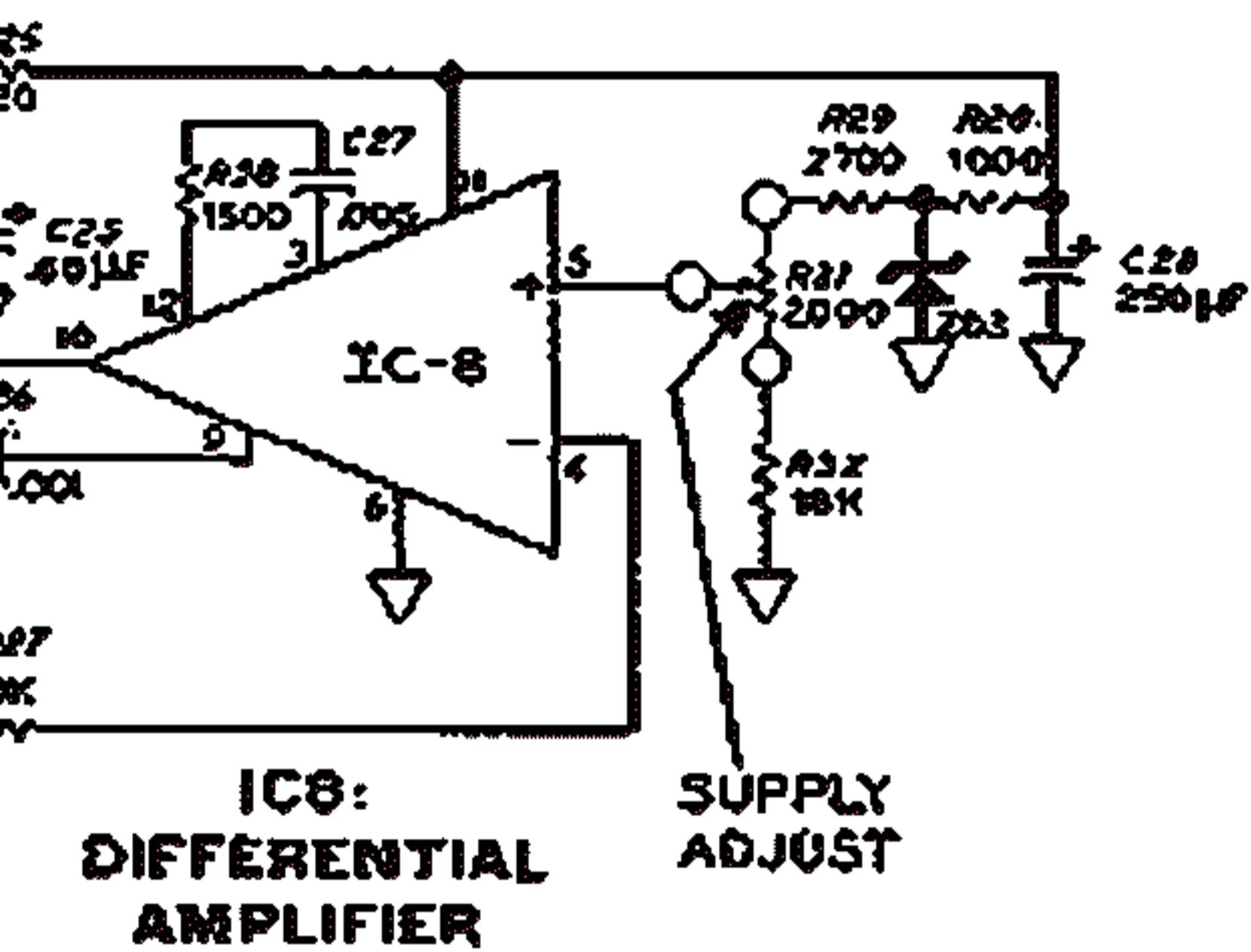
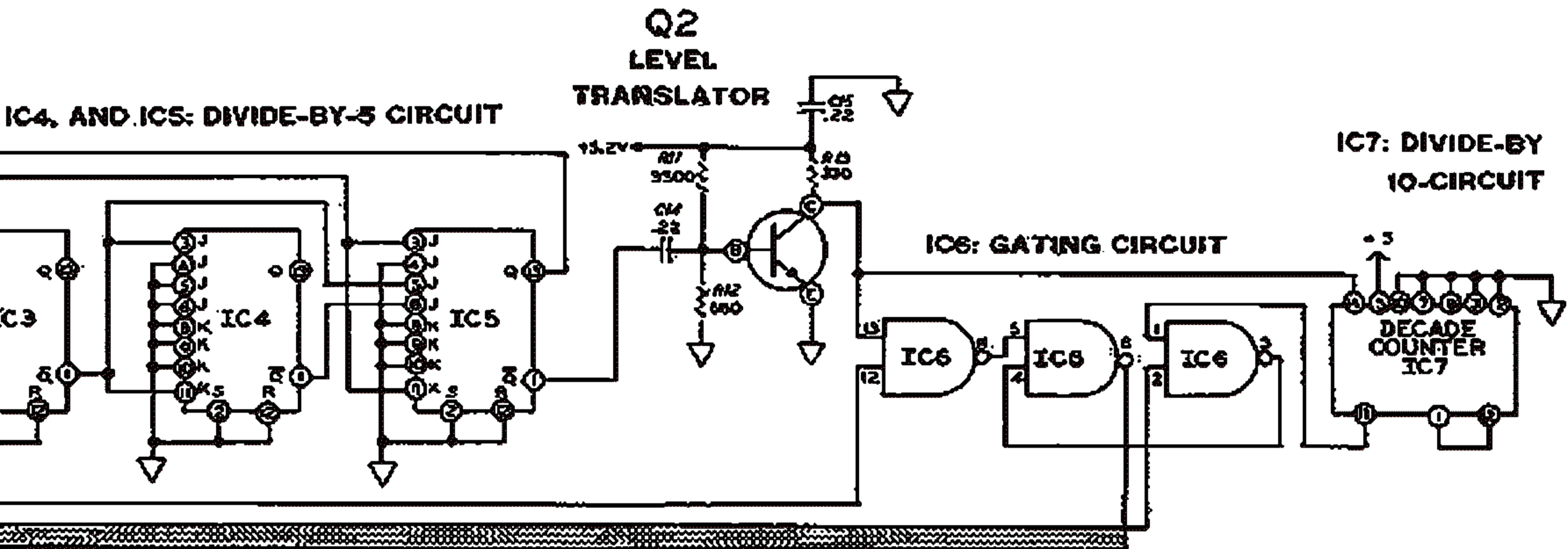
**+5.2
VOLT
SOURCE**

**DIFFERENTIAL
AMPLIFIER**



120 VAC WIRING
50/60 HZ

P1
6 VOLT
LAMP



CIRCUIT BOARD