

Ned. Ver. v. Historie v/d Radio
ARCHIEF
 DOCUMENTATIEDIENST
 NVHR

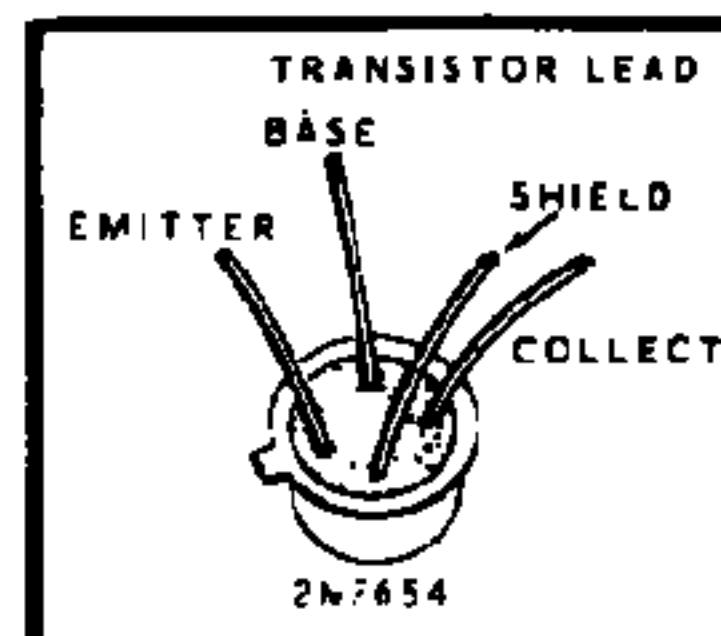
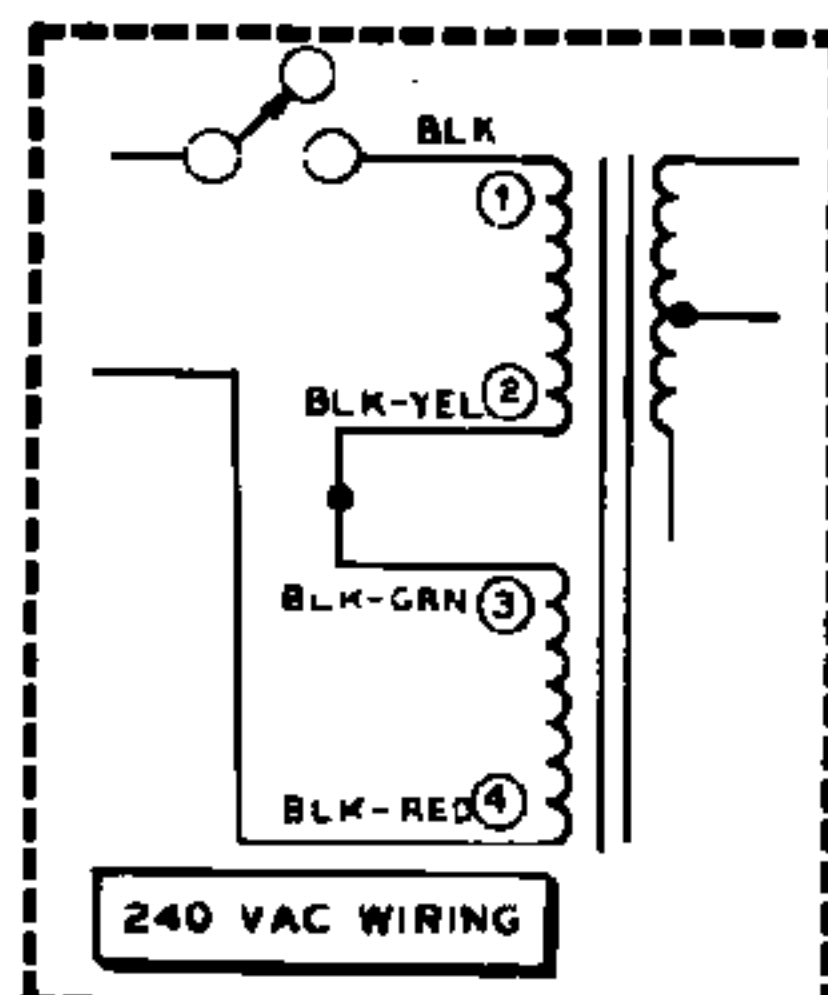
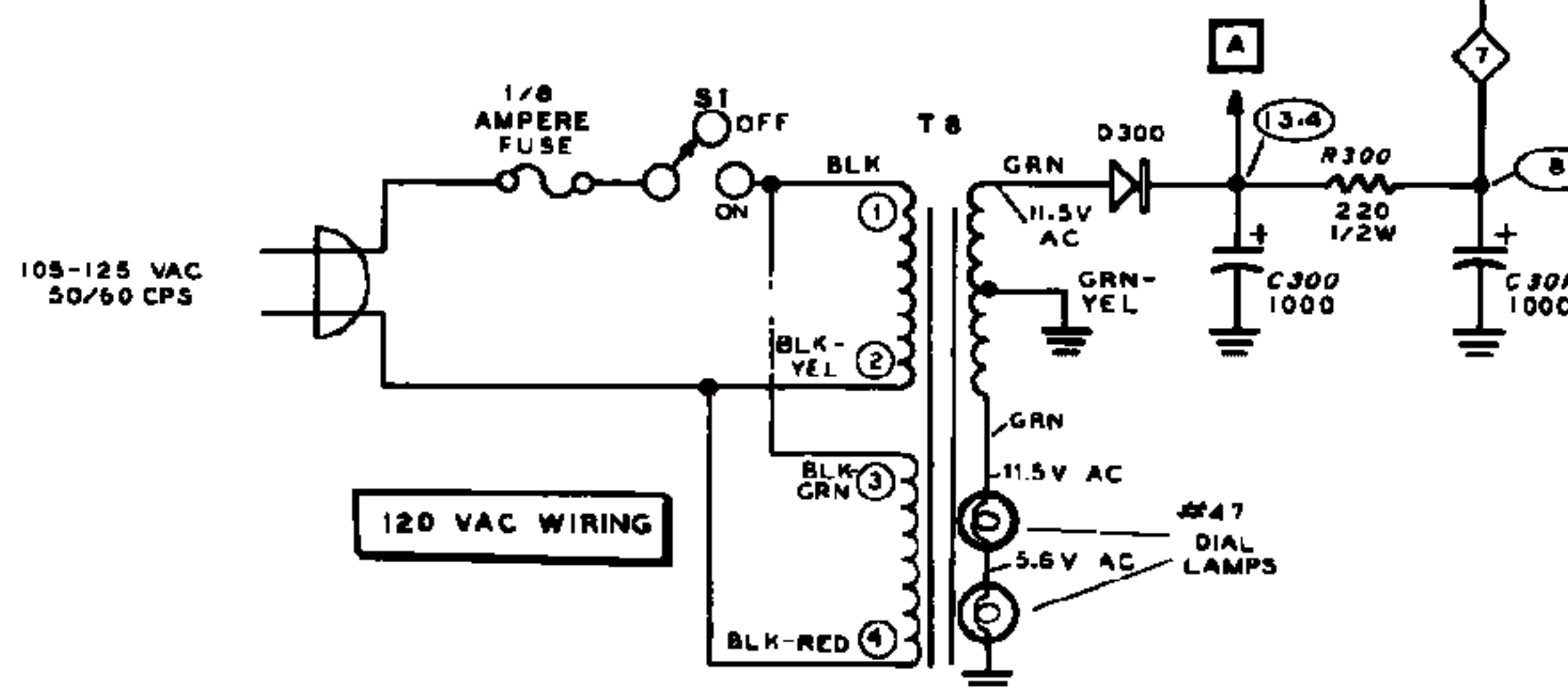
**SCHEMATIC OF THE
 HEATHKIT®
 SOLID STATE FM STEREO TUNER
 MODEL AJ-14**

NOTES:

ALL RESISTORS ARE 1/4 WATT UNLESS MARKED OTHERWISE.
 ALL RESISTOR VALUES ARE IN OHMS (K = 1000, MEG = 1,000,000).
 ALL CAPACITOR VALUES ARE IN μF UNLESS MARKED OTHERWISE.
 ○ INDICATES VOLTAGE READING.
 ALL VOLTAGES ARE DC POSITIVE UNLESS MARKED OTHERWISE.
 ALL VOLTAGES ARE MEASURED FROM POINT INDICATED TO CHASSIS GROUND.
 VOLTAGE READINGS TAKEN WITH AN 11 MEGOHM INPUT VTVM.
 VOLTAGES MAY VARY ±20%.
 MEASUREMENTS MADE WITHOUT ANTENNA CONNECTED. SWITCH S2 AT STEREO POSITION, AND PHASE SWITCH PUSHED IN.
 ● INDICATES TEST POINTS.
 ◇ INDICATES CONNECTING POINTS ON CIRCUIT BOARD.
 REFER TO THE X-RAY VIEW FOR THE PHYSICAL LOCATION OF PARTS.

LETTER-NUMBER DESIGNATIONS FOR COMPONENTS ARE AS FOLLOWS:
 1 - 99 FM TUNING UNIT
 100 - 199 IF CIRCUIT
 200 - 299 FM STEREO MULTIPLEX CIRCUIT
 300 - 399 POWER SUPPLY

2N2712 TRANSISTORS: Q8 THROUGH Q13 HAVE AN ORANGE DOT AND Q14 HAS A BLUE DOT.



**SCHEMATIC OF THE
 HEATHKIT®
 SOLID STATE FM STEREO TUNER
 MODEL AJ-14**

