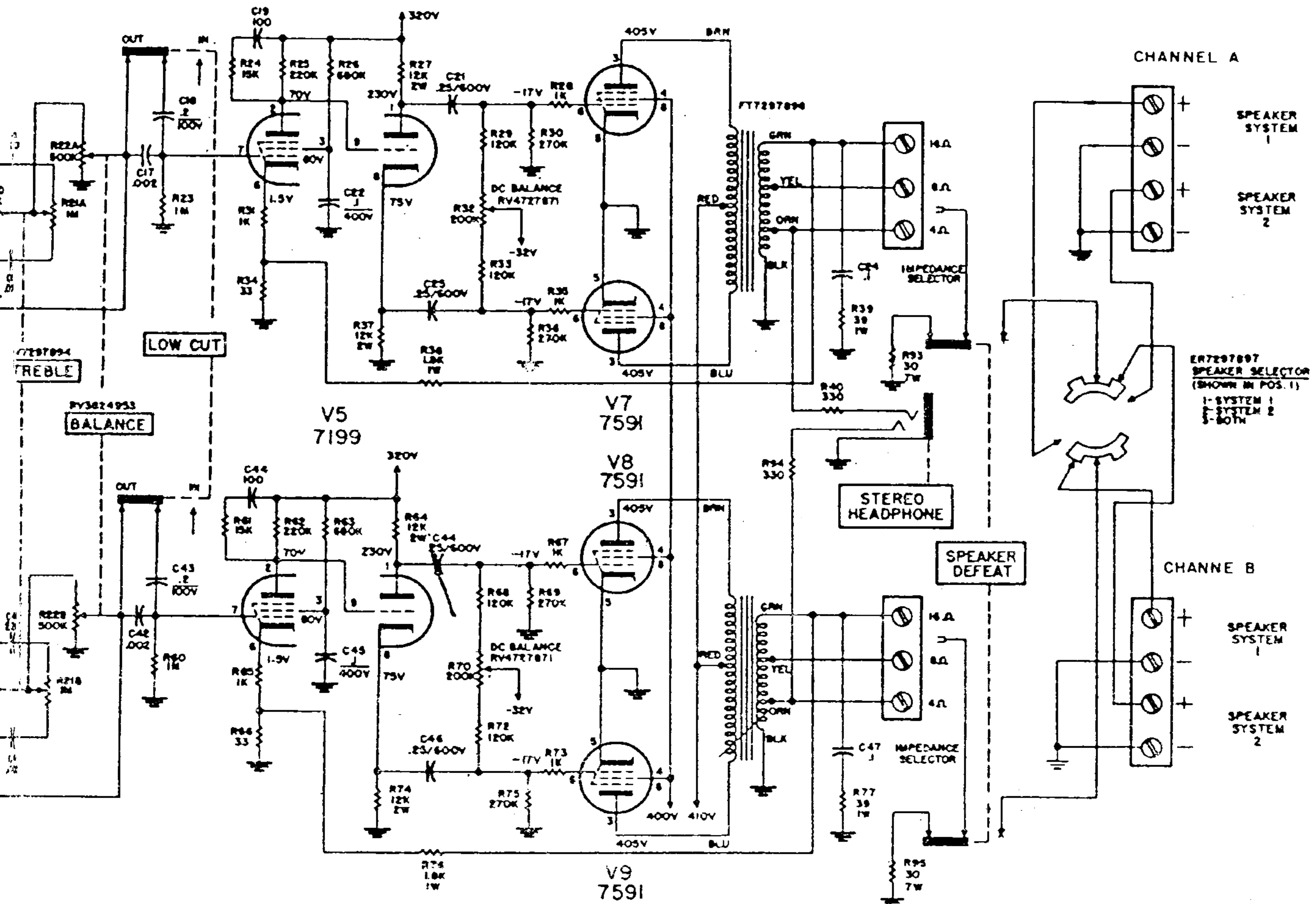


V4
7199

V6
7591



CAUTION
TURN OFF POWER
BEFORE REMOVING
TUBES

RESISTANCE READINGS

ITEM	TUBE	PIN 1	PIN 2	PIN 3	PIN 4	PIN 5	PIN 6	PIN 7	PIN 8	PIN 9
V1	12AX7	* 300K	∞	2.2K	—	—	* 600K	56K	2.2K	—
V2	12AX7	* 300K	∞	2.2K	—	—	* 600K	56K	2.2K	—
V3	12AX7	* 180K	∞	1.8K	—	—	* 180K	1M	1.8K	—
V4	7199	* 17K	* 220K	* 600K	—	—	1K	∞	12K	* 220K
V5	7199	* 17K	* 220K	* 600K	—	—	∞	1M	12K	* 220K
V6	7591	—	—	140	220	—	120K	—	220	—
V7	7591	—	—	140	220	—	120K	—	220	—
V8	7591	—	—	140	220	—	120K	—	220	—
V9	7591	—	—	140	220	—	120K	—	220	—

* RESISTANCE READINGS MARKED WITH ASTERISK ARE MEASURED FROM THE JUNCTION OF R81 & C53.

NOTES

- UNLESS OTHERWISE SPECIFIED
- 1 - ALL RESISTANCE VALUES IN OHMS ± 10%
- 2 - ALL RESISTORS 1/2 WATT.
- 3 - ALL CAPACITORS WITH DECIMAL VALUES IN UF.
- 4 - ALL CAPACITORS WITHOUT DECIMAL VALUES IN UUF.
- 5 - ALL VOLTAGES ARE DC & MAY VARY ± 20%.