

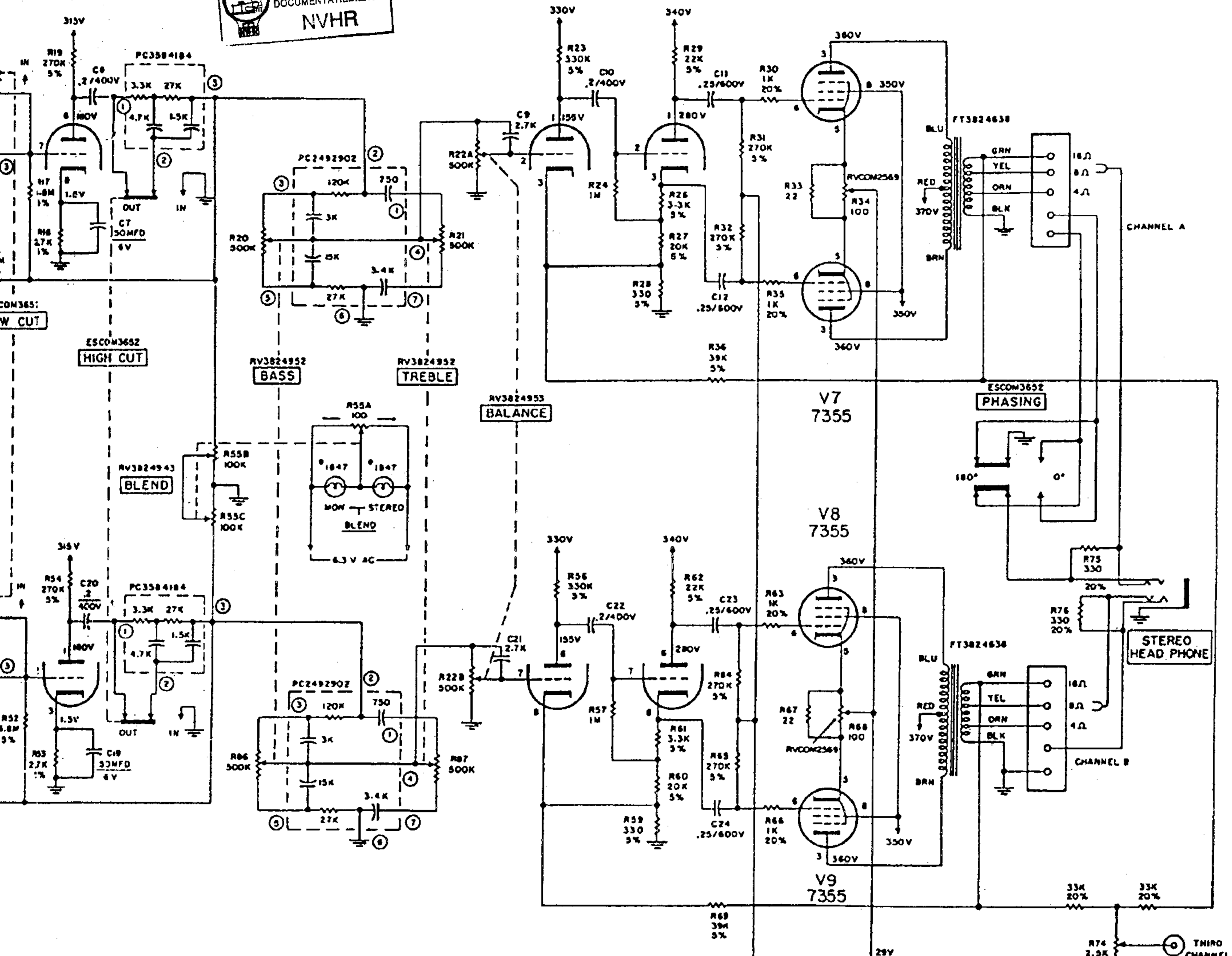
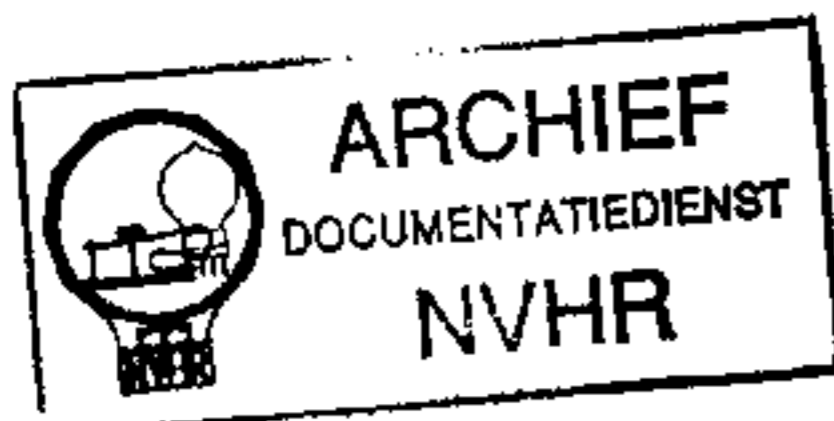
V3
12AX7/ECC83

Ned. Ver. v. Historie v/d Radio

V4
12AX7/ECC83

V5
12AU7/ECC82

V6
7355



RESISTANCE READINGS

ITEM	TUBE	PIN 1	PIN 2	PIN 3	PIN 4	PIN 5	PIN 6	PIN 7	PIN 8	PIN 9
V1	12AX7	—	1M	2.2K	—	—	—	—	2.7K	—
V2	12AX7	—	1M	2.2K	—	—	—	—	2.7K	—
V3	12AX7	—	—	2.7K	—	—	—	—	2.7K	—
V4	12AX7	—	—	360Ω	—	—	—	—	360Ω	—
V5	12AU7	—	1M	24K	—	—	—	1M	24K	—
V6	7355	—	—	—	—	—	270K	—	—	—
V7	7355	—	—	—	—	—	270K	—	—	—
V8	7355	—	—	—	—	—	270K	—	—	—
V9	7355	—	—	—	—	—	270K	—	—	—

VOLTAGE & RESISTANCE READINGS

FUNCTION SWITCH IN AUX POSITION
 STEREO SWITCH IN MON. POSITION
 LOUDNESS CONTROL MIN. CCW
 CONTOUR SWITCH OUT, LOW & HIGH CUT OUT
 TAPE MONITOR OUT
 BLEND CONTROL IN STEREO
 BASS & TREBLE CONTROLS FLAT
 BALANCE CONTROL CENTERED

NOTES

- UNLESS OTHERWISE SPECIFIED—
- 1— ALL RESISTANCE VALUES IN OHMS ± 10%.
- 2— ALL RESISTORS 1/2 WATT.
- 3— ALL CAPACITORS WITH DECIMAL VALUES IN MFD.
- 4— ALL CAPACITORS WITHOUT DECIMAL VALUES IN MMF.
- 5— ALL VOLTAGES ARE DC & MAY VARY ± 20%.