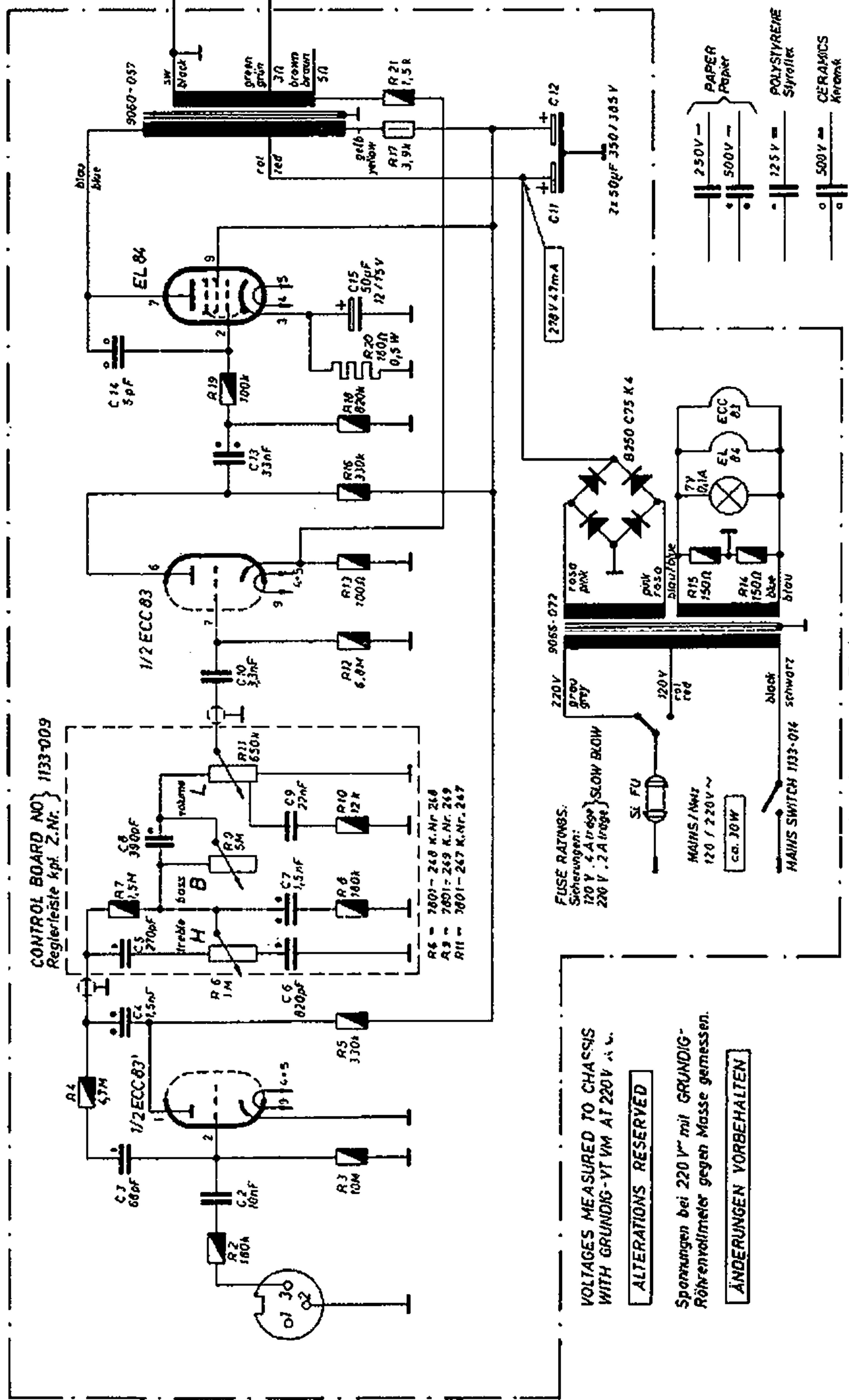
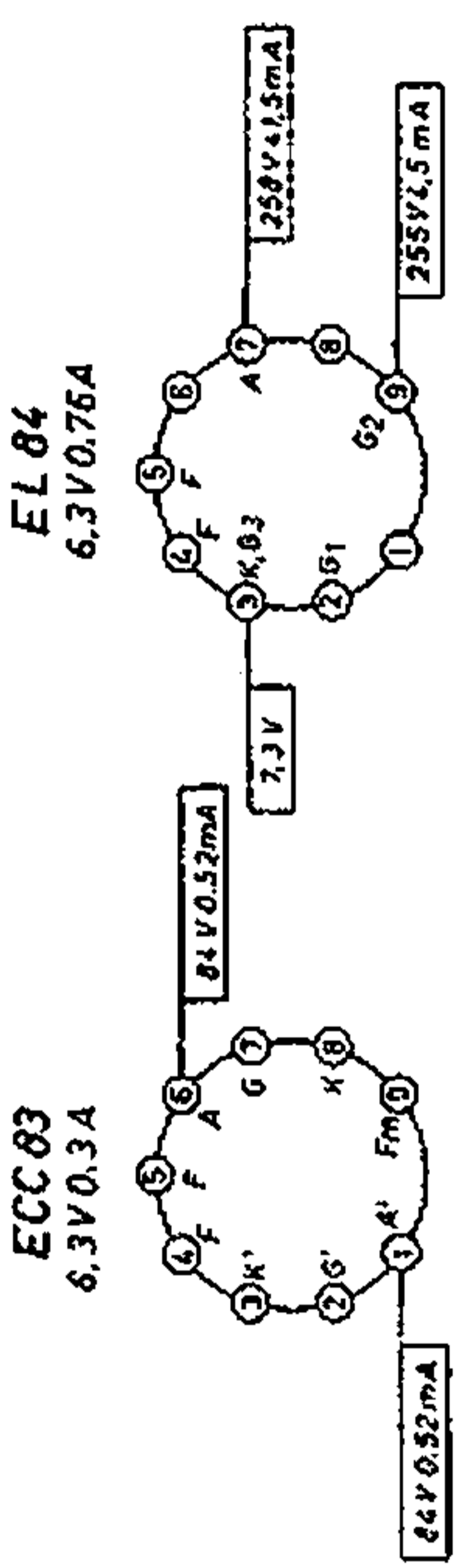
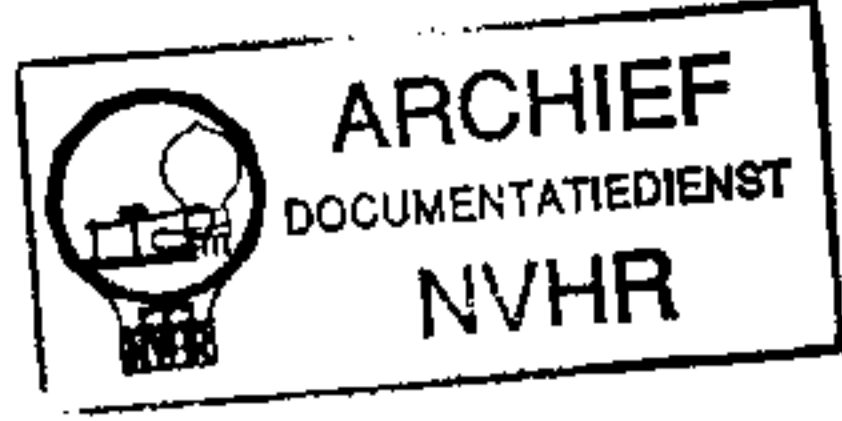


GRUNDIG WERKE FURTH (BAY.)

„Stereo-Verstärker-Box IV/V“

(1141-001)



VOLTAGES MEASURED TO CHASSIS WITH GRUNDIG-VT VM AT 220V AC.

ALTERATIONS RESERVED

Spannungen bei 220V mit GRUNDIG-Röhrenvoltmeter gegen Masse gemessen.

ÄNDERUNGEN VORBEHALTEN

FUSE RATINGS:
Sicherungen:
120V .4A (brown) SLOW BLOW
220V .2A (orange)

SI FU

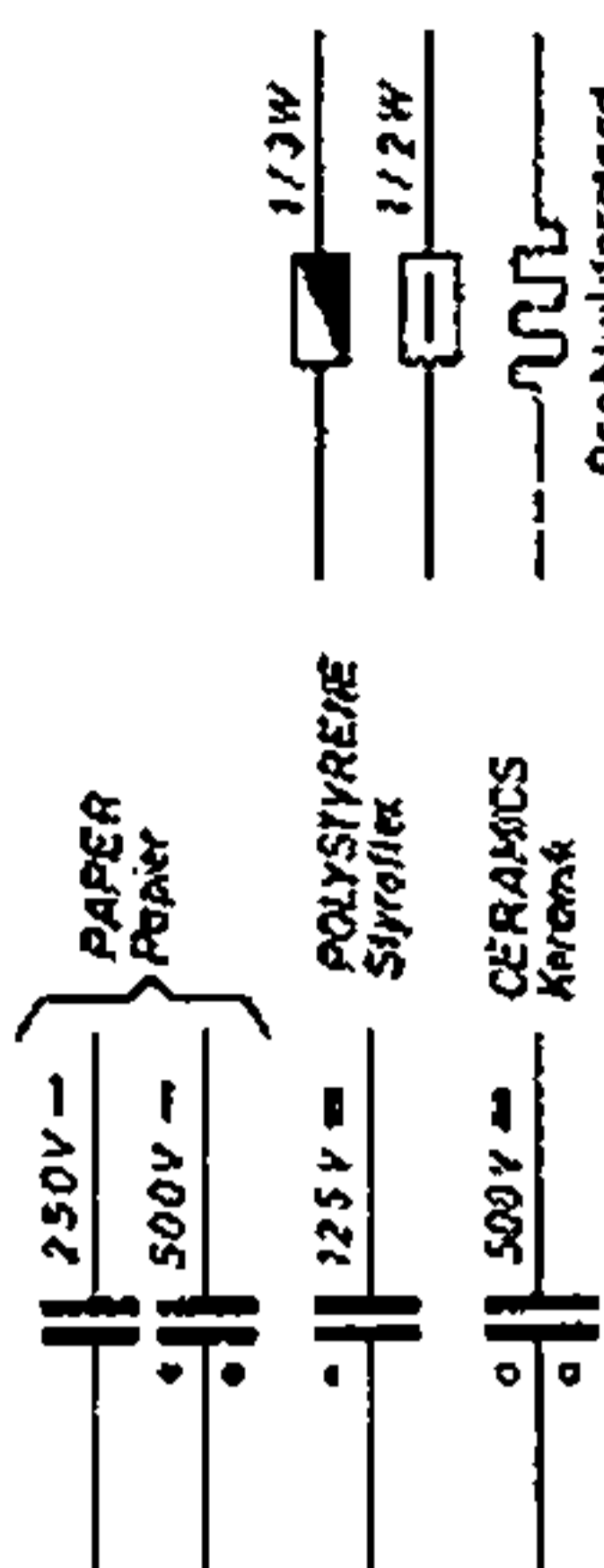
MAINS/MWT
120 / 220V ~

ca. 30W

MAINS SWITCH 1133-016 schwarz

Verstärkerchassis Z.Nr. 1133-200
AMPL-CHASSIS NO

X Verbindungskennzeichen
CONNECTING MARKS



| | | | | | | | | | | | | | | | | | | | | | | |
|----|----|----|----|----|----|----|----|----|-----|-----|-----|-----|-----|-----|-----|-----|-----|-----|-----|-----|-----|-----|
| C: | 2, | 3, | 4, | 5, | 6, | 7, | 8, | 9, | 10, | 11, | 12, | 13, | 14, | 15, | 16, | 17, | 18, | 19, | 20, | 21, | 22, | |
| R: | 1, | 2, | 3, | 4, | 5, | 6, | 7, | 8, | 9, | 10, | 11, | 12, | 13, | 14, | 15, | 16, | 17, | 18, | 19, | 20, | 21, | 22, |