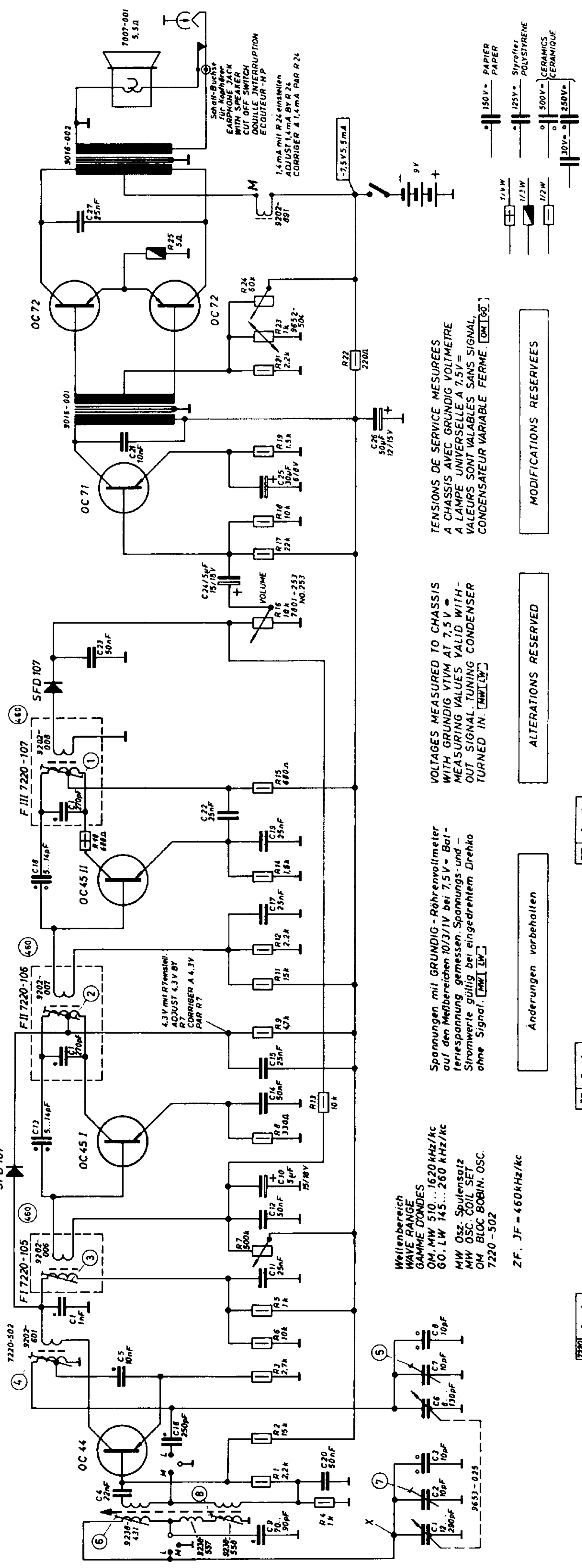
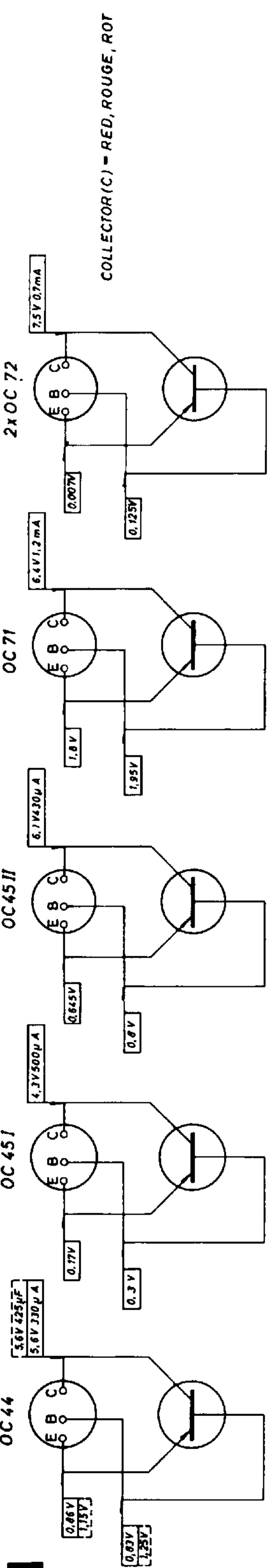


# Micro-Boy 201



Wellenbereich  
WAVE RANGE  
GAMME D'ONDES  
OM, MW 510 ... 1620 kHz/kc  
GO, LW 145 ... 260 kHz/kc  
MW Osc. Spulensatz  
MW OSC. COIL SET  
OM BLOC BOBIN. OSC.  
7220 - 502

Spannungen mit GRUNDIG - Röhrenvoltmeter  
auf den Meßbereichen 10/3/1V bei 7,5V = Bat-  
teriespannung gemessen. Spannungs- und -  
Stromwerte gültig bei eingedrehtem Drehko  
ohne Signal. [MW] LW

VOLTAGES MEASURED TO CHASSIS  
WITH GRUNDIG VTVM AT 7,5V = Bat-  
TERIES MEASURING VALUES VALID WITH-  
OUT SIGNAL. TUNING CONDENSER  
TURNED IN. [MW] LW

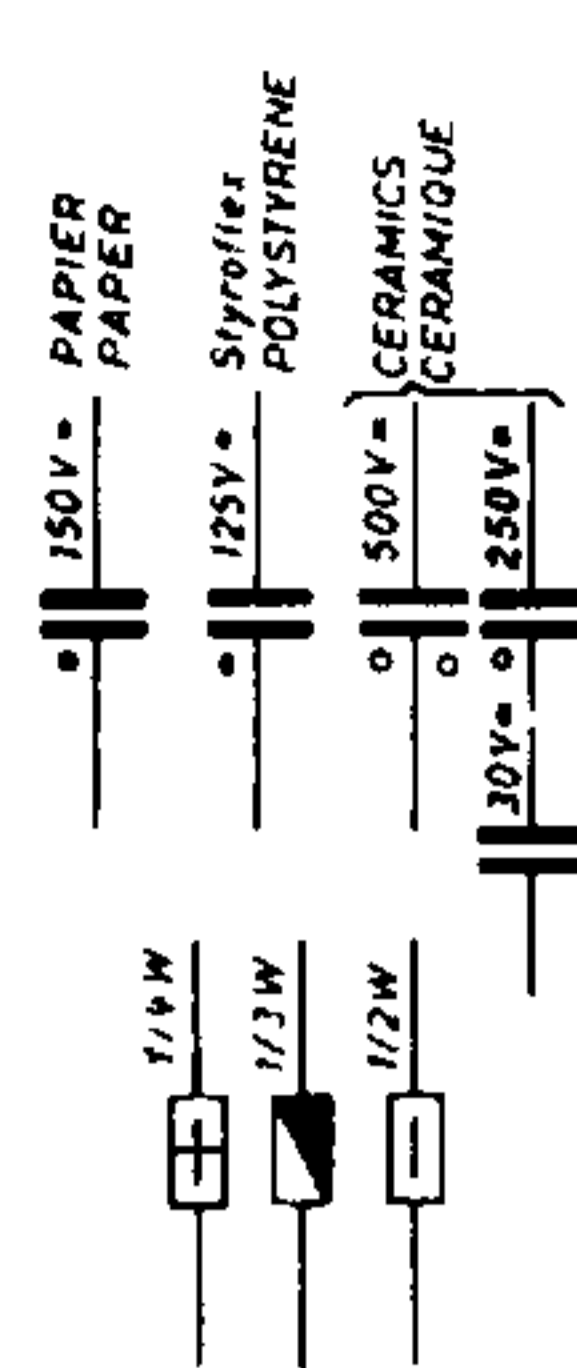
TENSIONS DE SERVICE MESUREES  
A CHASSIS AVEC GRUNDIG VOLTMETRE  
A LAMPE UNIVERSELLE A 7,5V =  
VALEURS SONT VALABLES SANS SIGNAL,  
CONDENSATEUR VARIABLE FERME. [MW] LW

ZF, JF = 460 kHz/kc

Änderungen vorbehalten

ALTERATIONS RESERVED

MODIFICATIONS RESERVEES



7220-502	C: 1, 1, 2, 3, 4, 5, 6, 7, 8	R: 1, 2, 3, 4, 5, 6, 7, 8
F I 7220-105	C: 1, 2, 3, 4, 5, 6, 7, 8, 9, 10, 11, 12, 13, 14, 15	R: 1, 2, 3, 4, 5, 6, 7, 8, 9, 10, 11, 12, 13, 14, 15
F II 7220-106	C: 1, 2, 3, 4, 5, 6, 7, 8, 9, 10, 11, 12, 13, 14, 15, 16, 17, 18, 19, 20, 21, 22	R: 1, 2, 3, 4, 5, 6, 7, 8, 9, 10, 11, 12, 13, 14, 15, 16, 17, 18, 19, 20, 21, 22
F III 7220-107	C: 1, 2, 3, 4, 5, 6, 7, 8, 9, 10, 11, 12, 13, 14, 15, 16, 17, 18, 19, 20, 21, 22, 23, 24, 25, 26	R: 1, 2, 3, 4, 5, 6, 7, 8, 9, 10, 11, 12, 13, 14, 15, 16, 17, 18, 19, 20, 21, 22, 23, 24, 25, 26