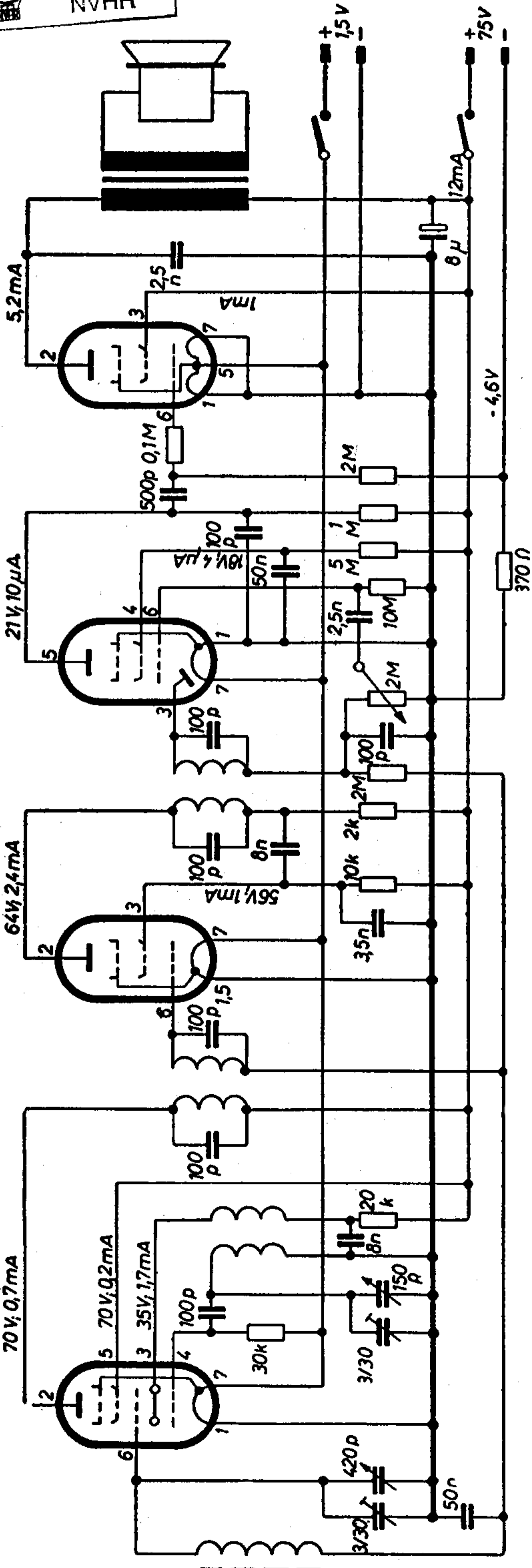


DL94/3V4

DAF91/1S5

DF91/1T4

DK92(DK91/1R5)



ZF = 468 KHZ

\odot 833 Ω/V

