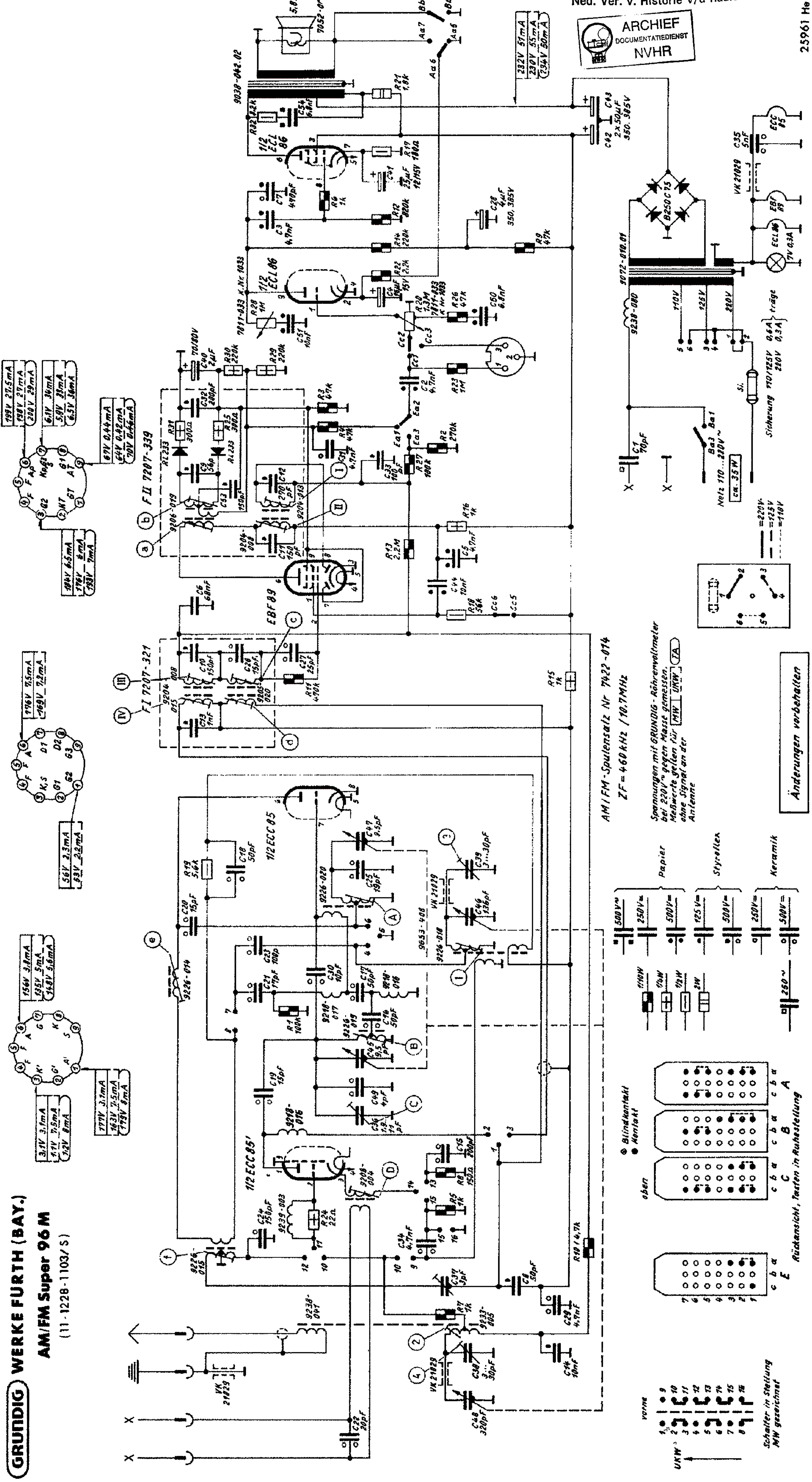


GRUNDIG WERKE FURTH (BAY.) AM/FM Super 96 M (11-1228-1103/S)

ECC 85
6,3V 0,455A

EBF 89
6,3V 0,3A

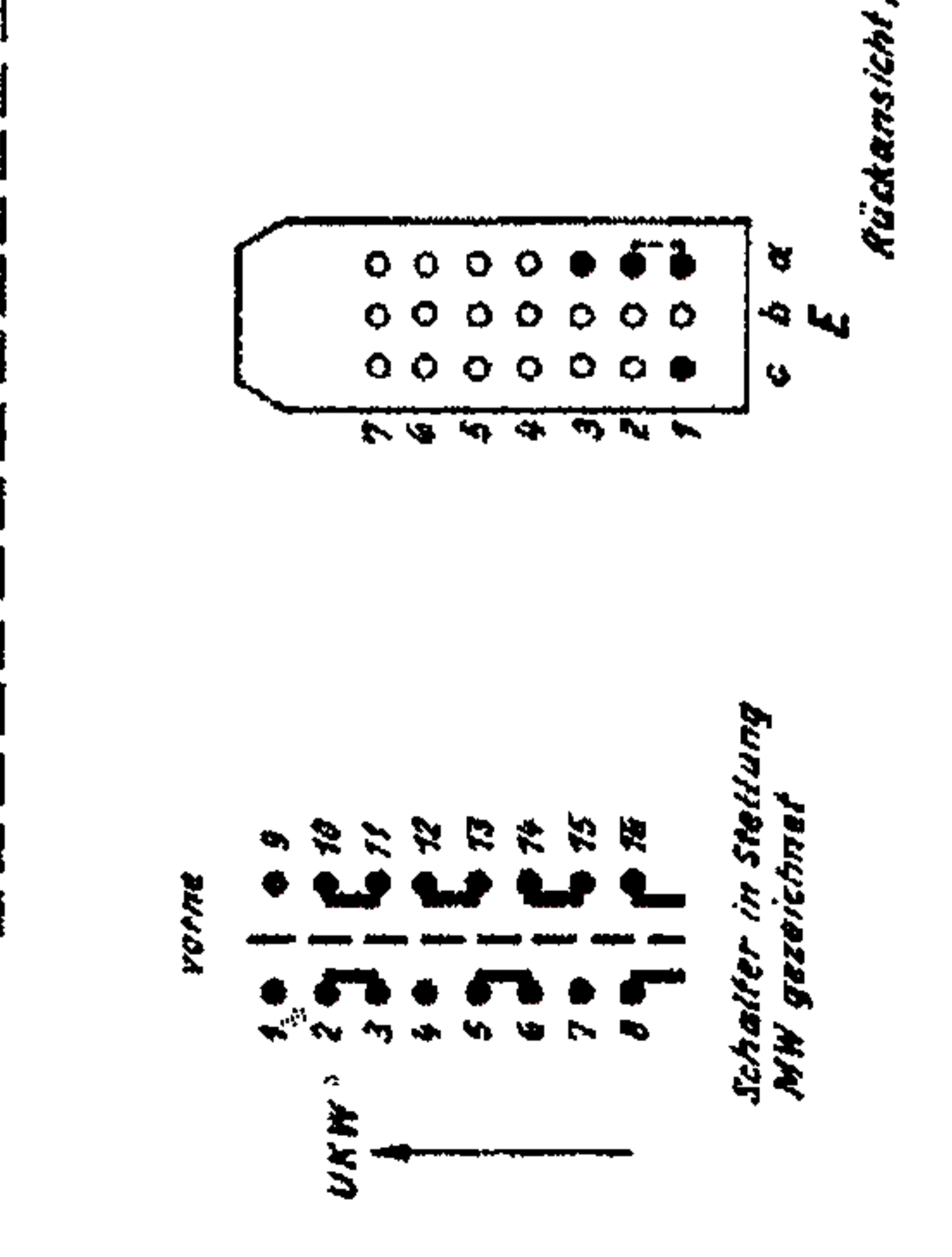
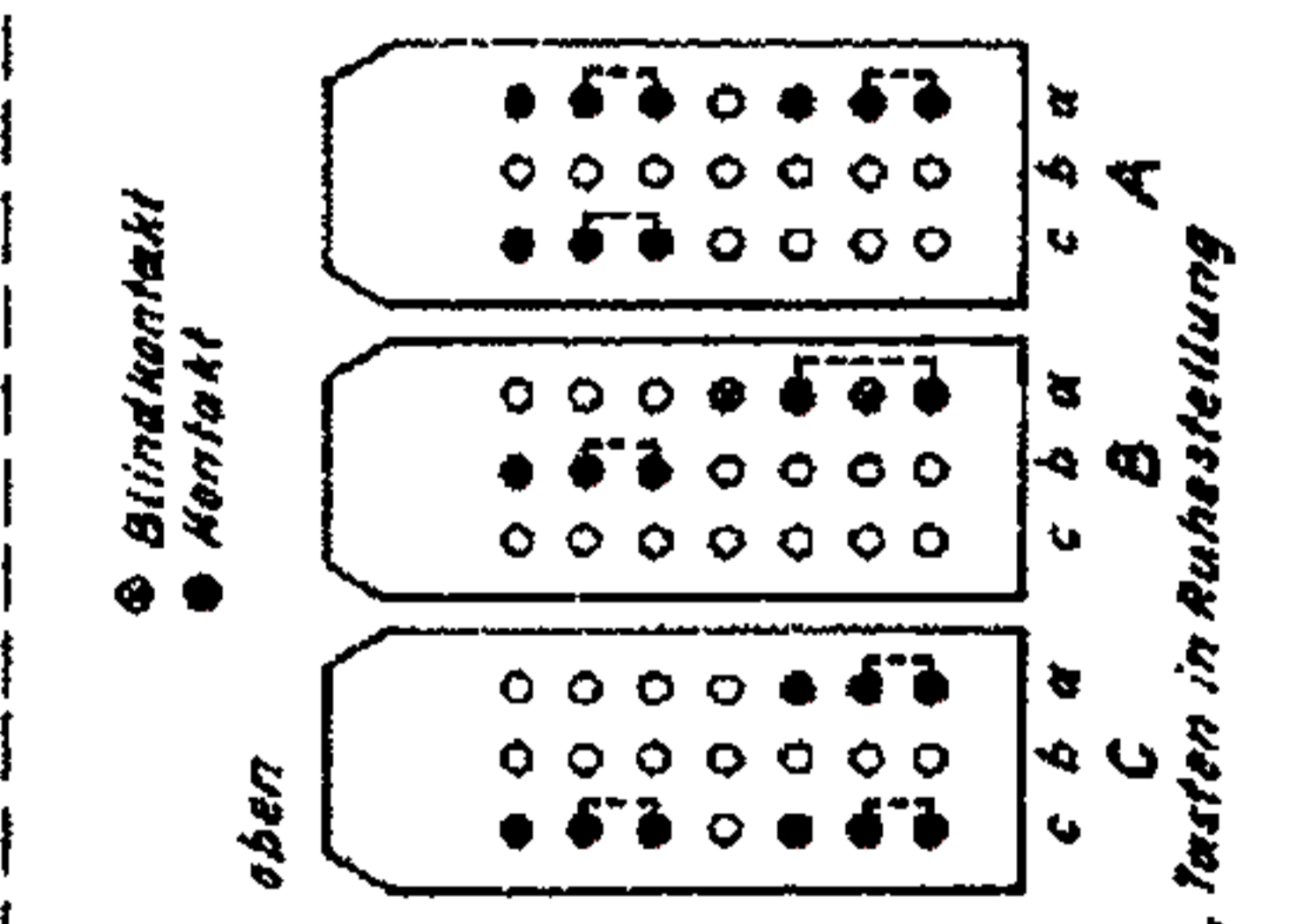
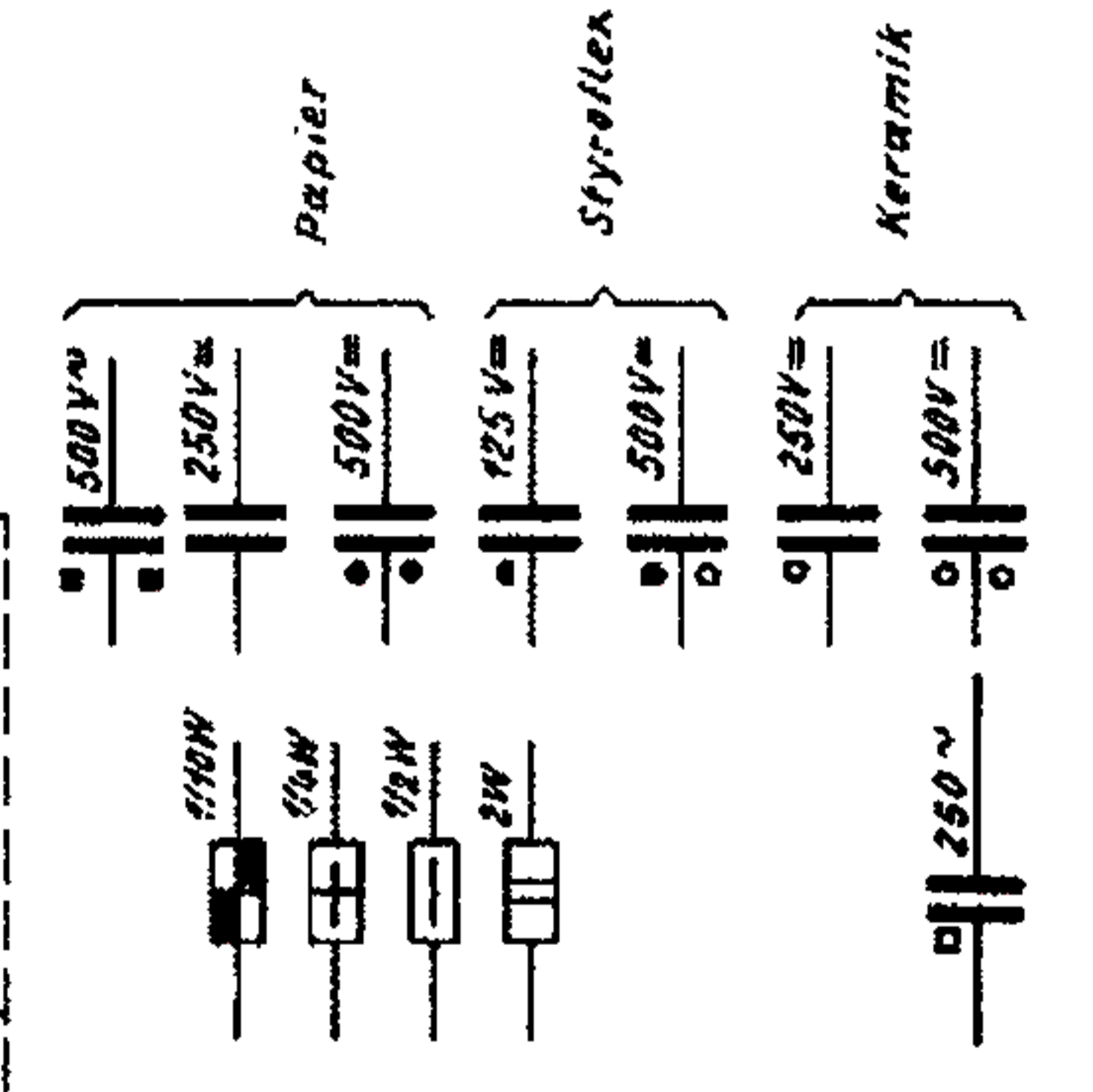
ECL 86
6,3V 0,78A



AM / FM - Spulensatz Nr 7422-074
ZF = 460 kHz / 10,7 MHz

Spannungen mit GRUNDIG - Röhrenvoltmeter
bei 220V[~] gegen Masse gemessen,
ohne Signal an der
Antenne

Änderungen vorbehalten



G: 22, 40, 14, 38, 29, 6, 37, 34, 24, 15, 36, 49, 49, 45, 16, 17, 21, 30, 23, 20, 46, 25, 18, 39, 47, 13, 10, 26, 27, 6, 44, 11, 6, 12, 53, 9, 33, 1, 31, 32, 2, 40, 51, 50, 4, 3, 28, 7, 41, 35, 42, 43, 54, 17, 38, 21, 20, 30, 28, 20, 26, 22, 9, 14, 12, 6, 27, 4, 37, 25, 3, 23, 20, 30, 28, 20, 26, 22, 9, 14, 12, 6, 10, 13, 16, 17, 18, 19, 20, 21, 22, 23, 24, 25, 26, 27, 28, 29, 30, 31, 32, 33, 34, 35, 36, 37, 38, 39, 40, 41, 42, 43, 44, 45, 46, 47, 48, 49, 50, 51, 52, 53, 54, 55, 56, 57, 58, 59, 60, 61, 62, 63, 64, 65, 66, 67, 68, 69, 70, 71, 72, 73, 74, 75, 76, 77, 78, 79, 80, 81, 82, 83, 84, 85, 86, 87, 88, 89, 90, 91, 92, 93, 94, 95, 96, 97, 98, 99, 100