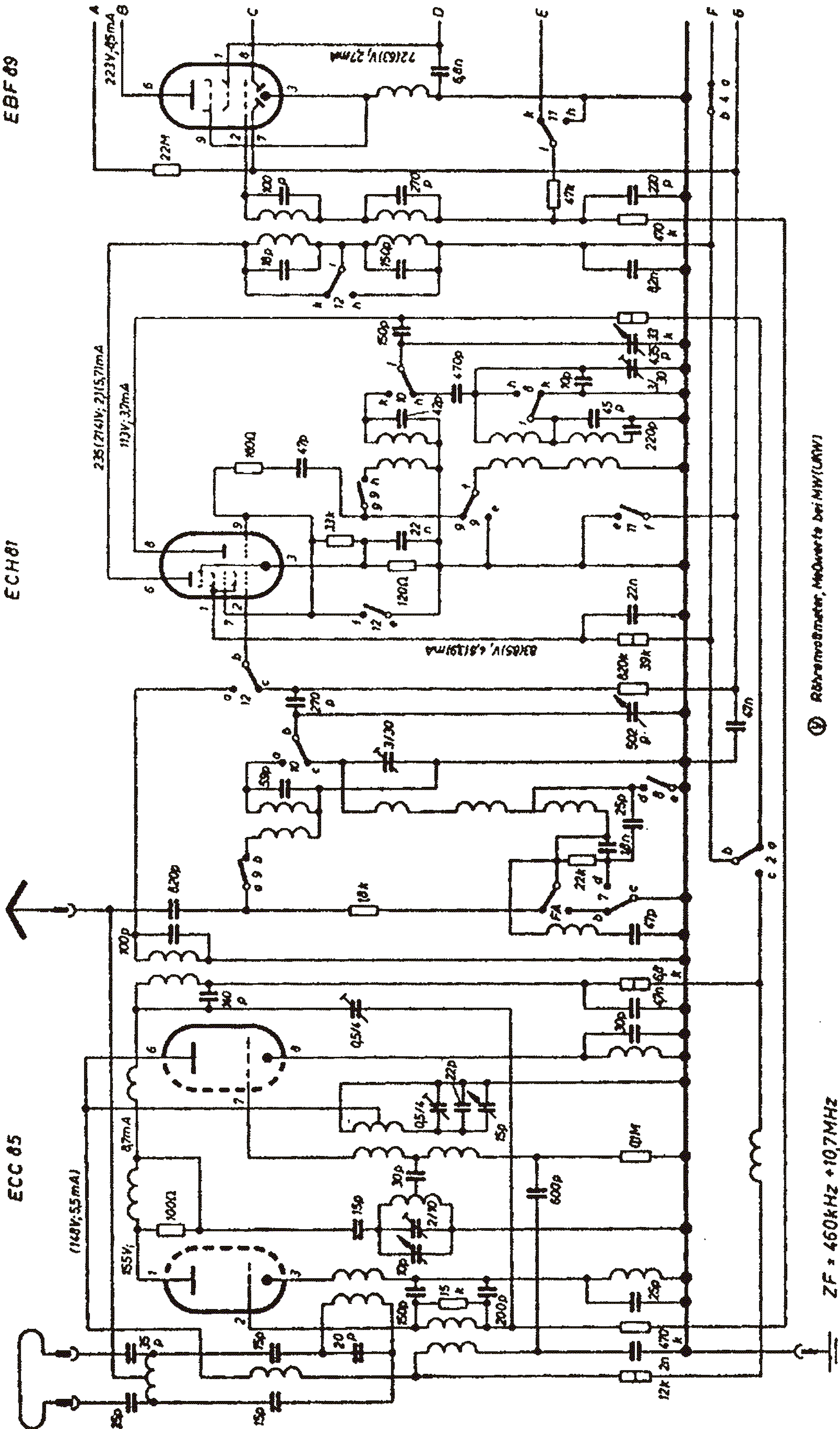


ECC 85

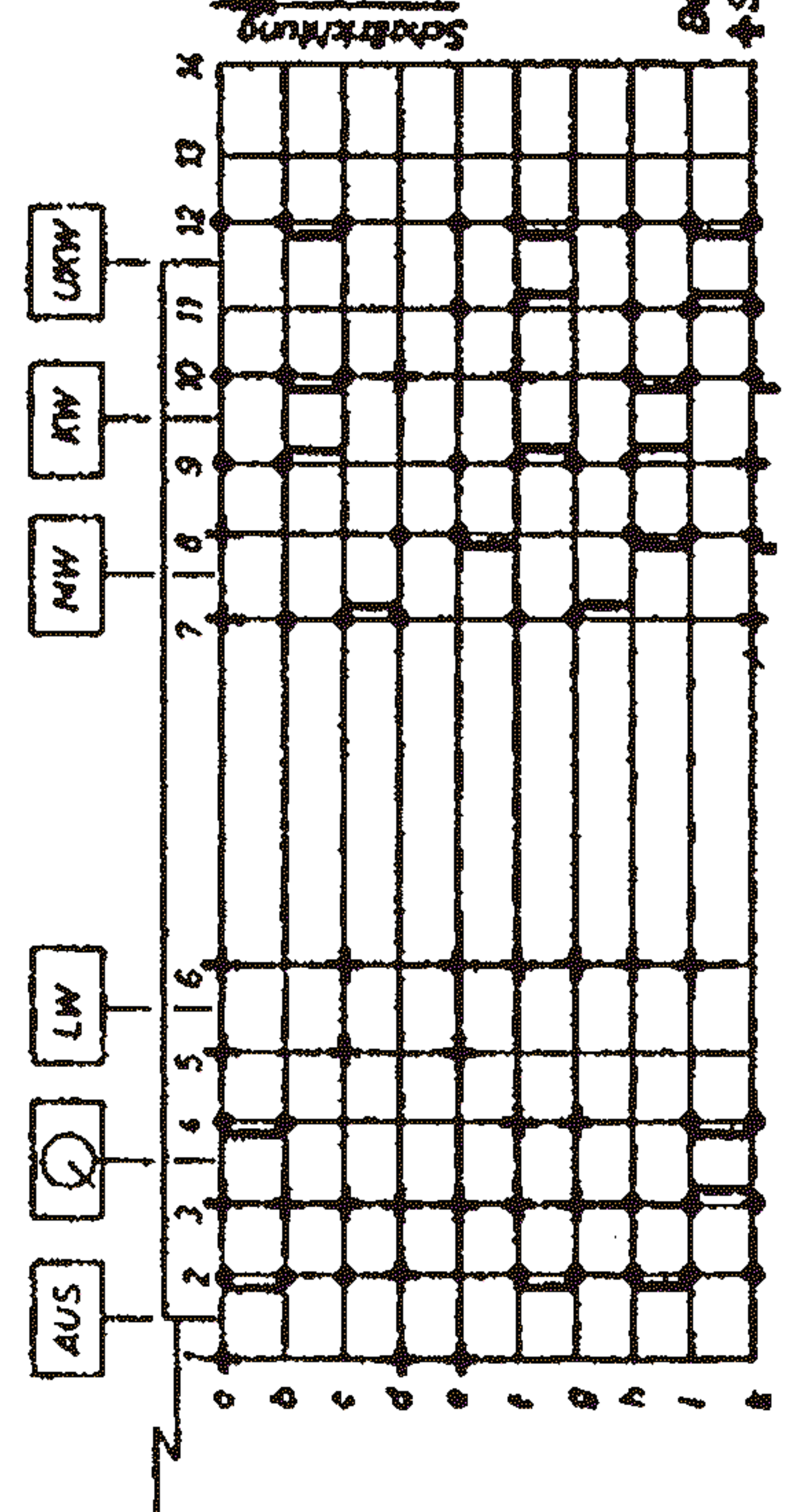
ECH 81

EBF 89

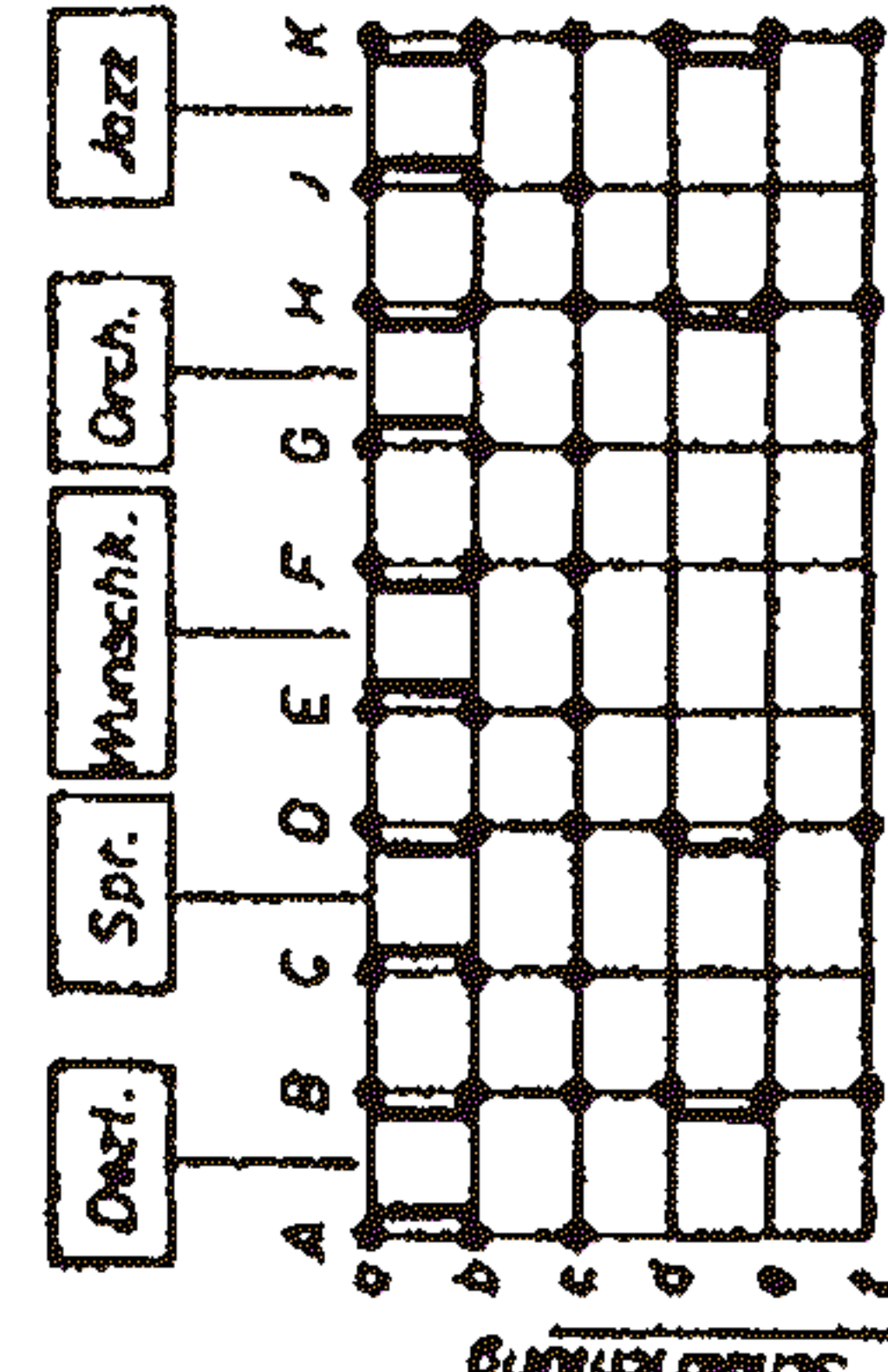


Ⓢ Röhrenvoltmeter, Maßwerte bei MW(LRW)

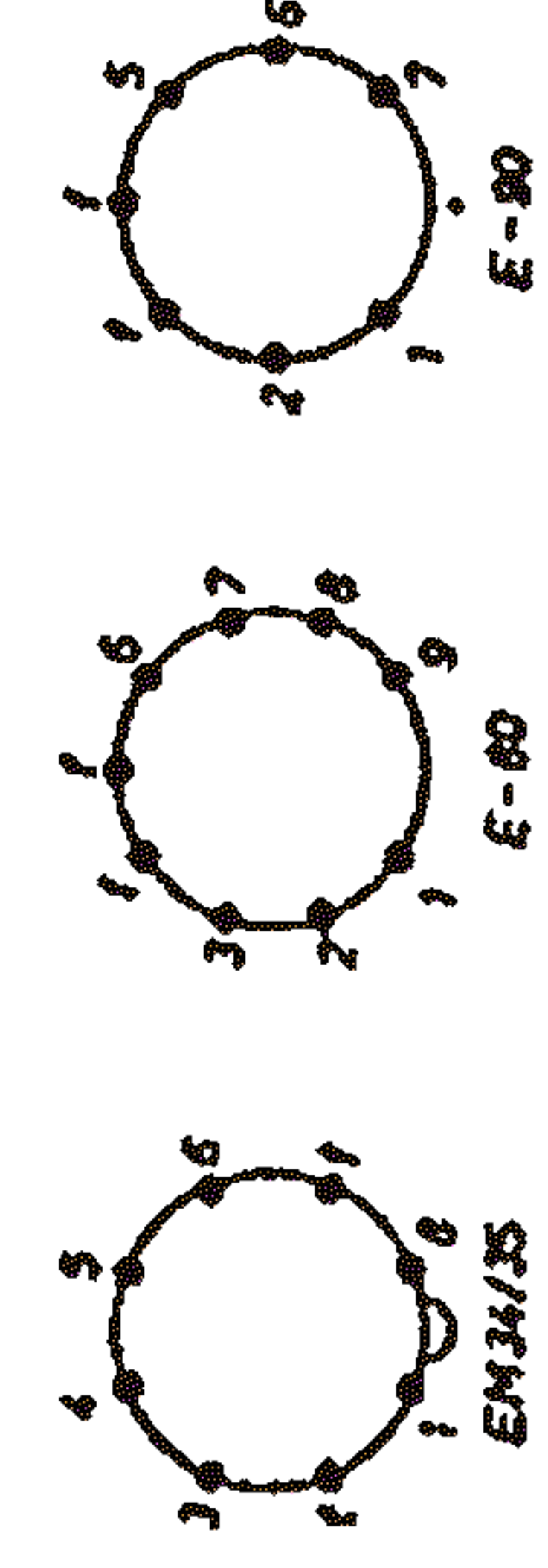
ZF = 460kHz + 10,7MHz



gezeichnete Stellung Gerät „aus“



festen in Ruhestellung



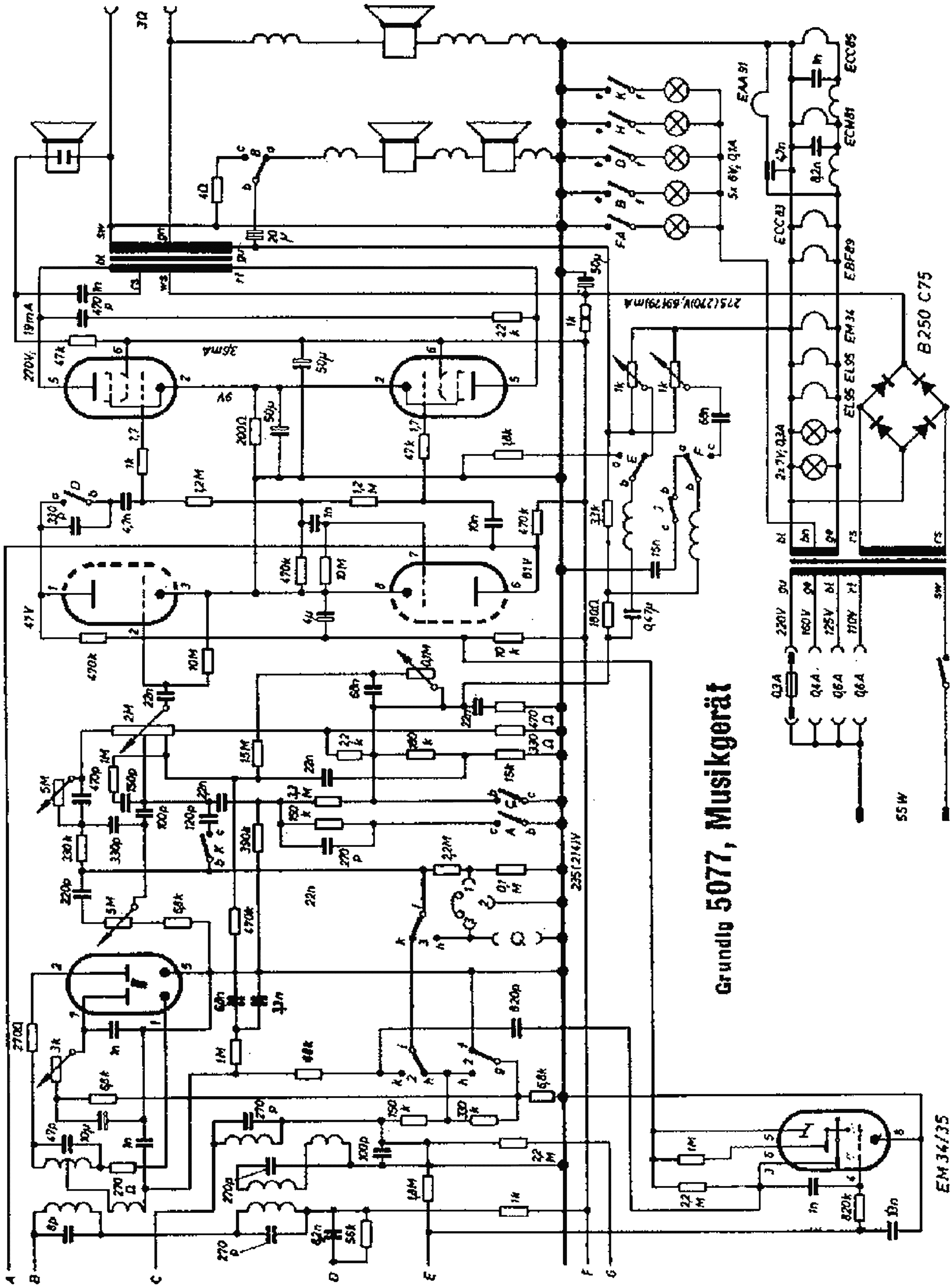
Grundig 5077, Musikgerät

Beispiel: KD
7612-0751-018

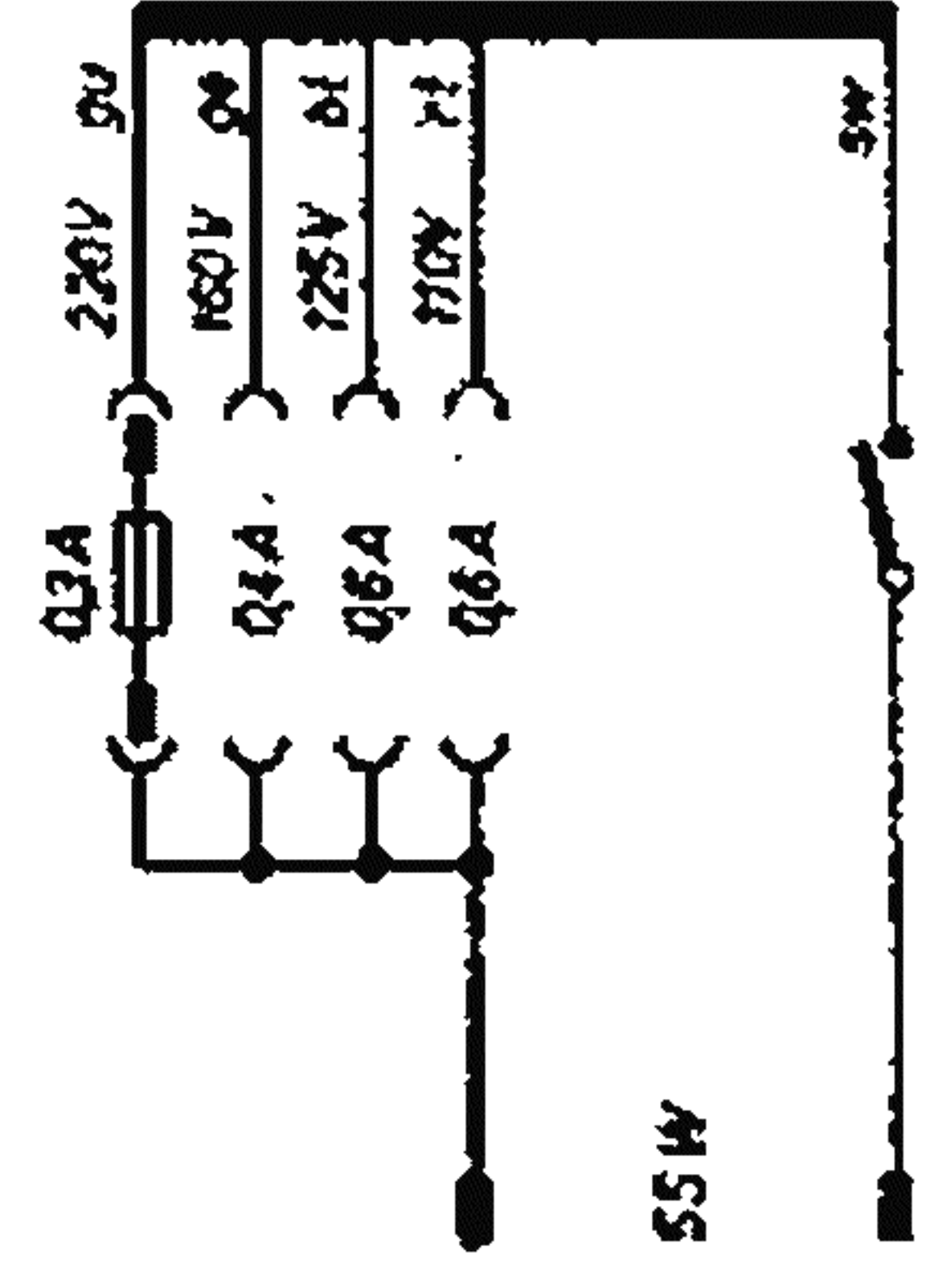
EAA91

ECC81

2x EL95



Grundig 5077, Musikgerät



EM34/35

GRUNDIG

R

Repair Manual

5077 WE

5088 WE



AM-IF-Alignment 460 kc

Wave Range, Variable Capacitor setting	Coupling of Signal Generator	Alignment	Sensitivity	Remarks
SW, turned in	G ₁ EBF 89	(I) and (II) maximum (F III 7206-108)	1,1 mV	I + II are to be damped during alignment alternately with 10 kΩ + 5 nF in series. Damp I + II during alignment of III. IF-Selectivity 1:145 IF-Bandwidth 5 kc
	G ₁ ECH 81	(III) maximum (F IV 7206-105)		
MW, turned in	to aerial	(IV) and (V) maximum (F II 7207-309)	14 μV	
MW, 1 Mc	G ₁ ECH 81	(VI) minimum	18 μV	Locking depth 1:26 Mixing sensitivity

AM-Oscillator and Input-Circuit Alignment (dummy aerial to aerial and ground sockets)

Wave Range, Frequency, Variable Capacitor setting	Oscillator	Input Circuit	Oscillating Current μA	Sensitivity μV	Image Suppression	Remarks
SW IV	18 Mc	1 maximum	310 ... 290	18 ... 15	1:4.2 ... 1:4	The aligning is to be done in such sequence that the aligning frequencies appear at the given positions on the dial scale. Repeat aligning a few times and end with trimmer.
	25 Mc	3 "				
SW III	12.5 Mc	5 "	330 ... 250	19 ... 11	1:8.5 ... 1:7	
	17 Mc	7 "				
SW II	6.5 Mc	9 "	260 ... 310	12 ... 15	1:10 ... 1:9	
	11 Mc	11 "				
SW I	2.5 Mc	13 "	310 ... 350	7.9 ... 9.8	1:34 ... 1:13	
	5.5 Mc	15 "				
MW	560 kc	17 "	330 ... 510	8.4 ... 7	1:500 ... 1:400	
	1450 kc	19 "				

FM-IF-Alignment 10.7 Mc

Signal Generator Modulation	Coupling of Signal Generator	Alignment	Alignment Indicator	Sensitivity μV	Remarks
Compensation of anode-grid capacity of ECC 85		C 304			Alignment can be done with Oscilloscope only
Suppression-trimmer resistor		R 29			
AM, FM or unmodulated	G ₁ EBF 89	(a) maximum (F V 7206-207)	Valve Voltmeter at R 28	5000	Reading of Valve Voltmeter approx. 2 volts
AM		(b) minimum	Outputmeter and Valve Vollm. at R 28		Reading of Valve Voltmeter approx. 1 volt
AM, FM or unmodulated	G ₁ ECH 81	(c) maximum (d) maximum (F II 7207-309)	Valve Voltmeter at R 28 (aligning FM Outputmeter should be used)	300	Reading of Valve Voltmeter approx. 1.5 volts
	via 0.5 pf at point marked (x) beside variable capacitor	(e) maximum (f) maximum (F I 7206-208)			
	wire winding at ECC 85	(g) maximum			

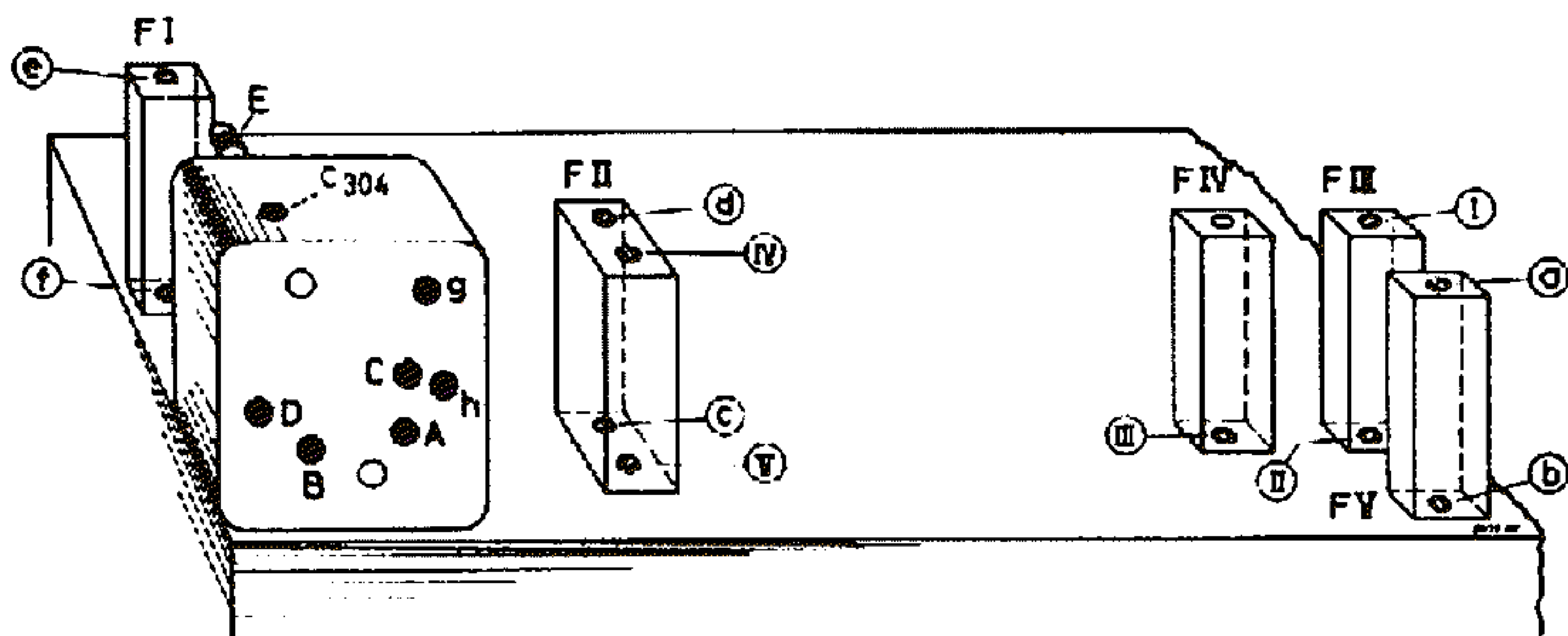
FM-Oscillator and IF-Circuit Alignment

Frequency of Signal Generator, Pointer setting	Oscillator	IF-Circuit	Aerial Circuit	Alignment Indicator	Oscillation Voltage	Sensitivity (Noise Power)	Remarks
88 Mc	A) maximum	B) maximum	E)	Outputmeter at AM, FM or unmodulated valve voltmeter at R 28	1,7 ... 2,5 V	2-3.5 k μ	For F) being very broad core should be adjusted approx. 2 mm below top edge of coil form.
106 Mc	C) maximum	D) maximum					

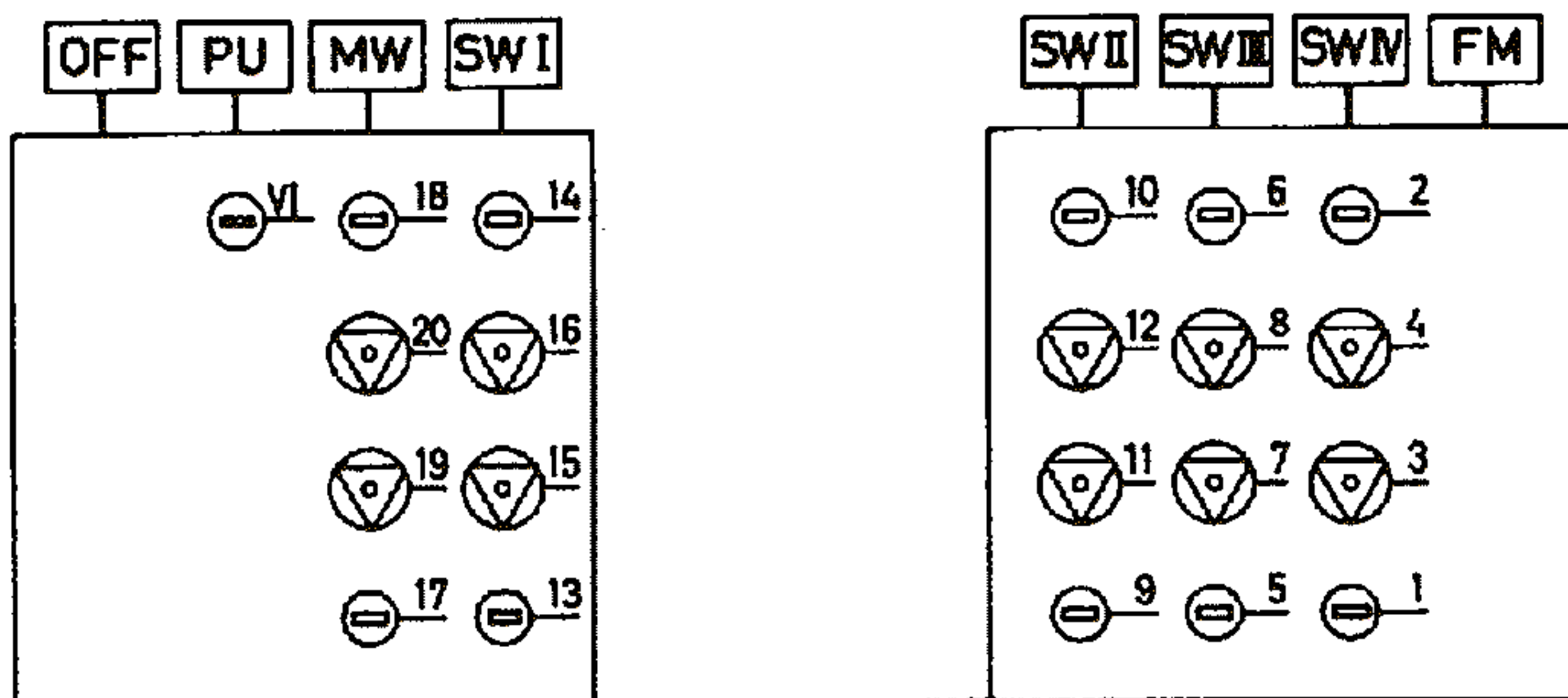
Hum: control closed 1 mV; control opened 2 mV

GRUNDIG

5077 WE
5088 WE



Chassis, Back View



Coil Block, Bottom View