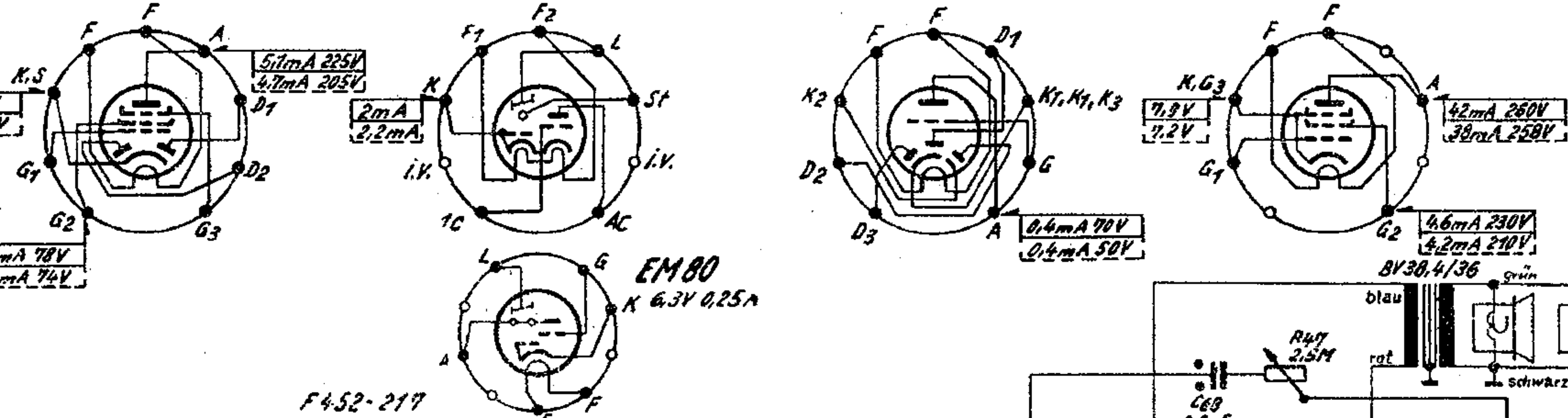


EBF 80
6,3V 0,3A

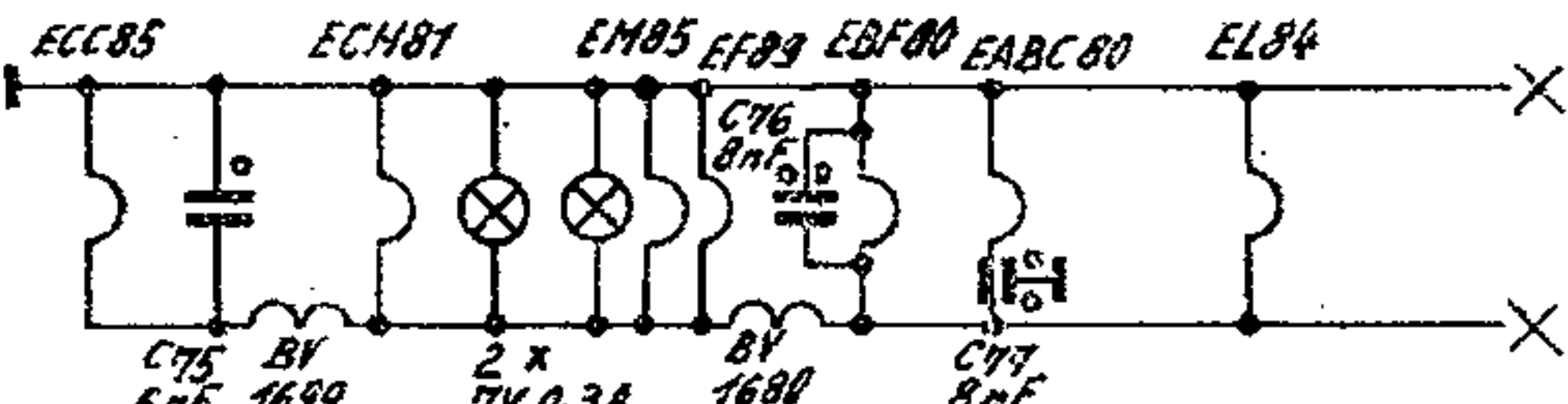
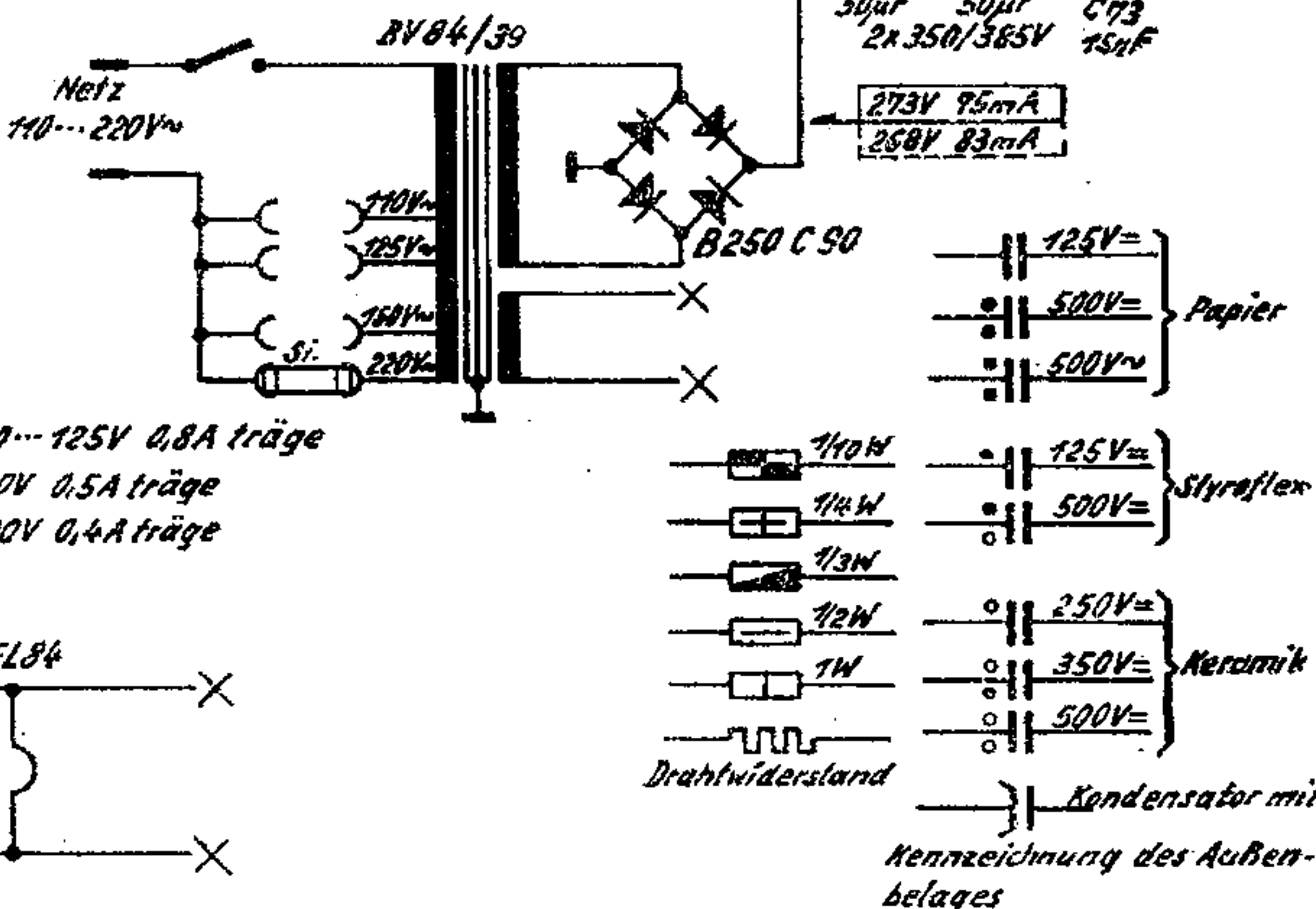
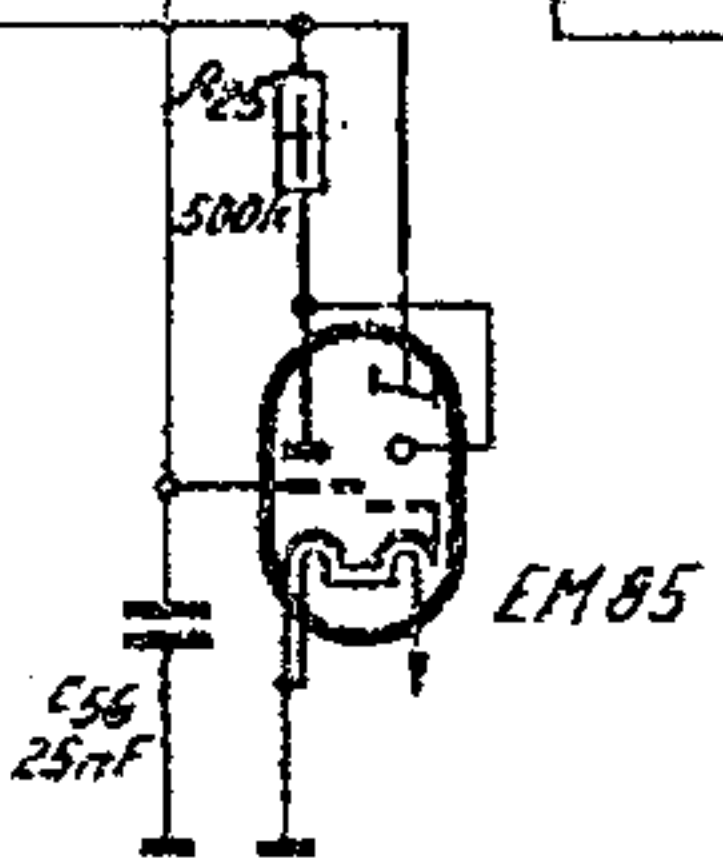
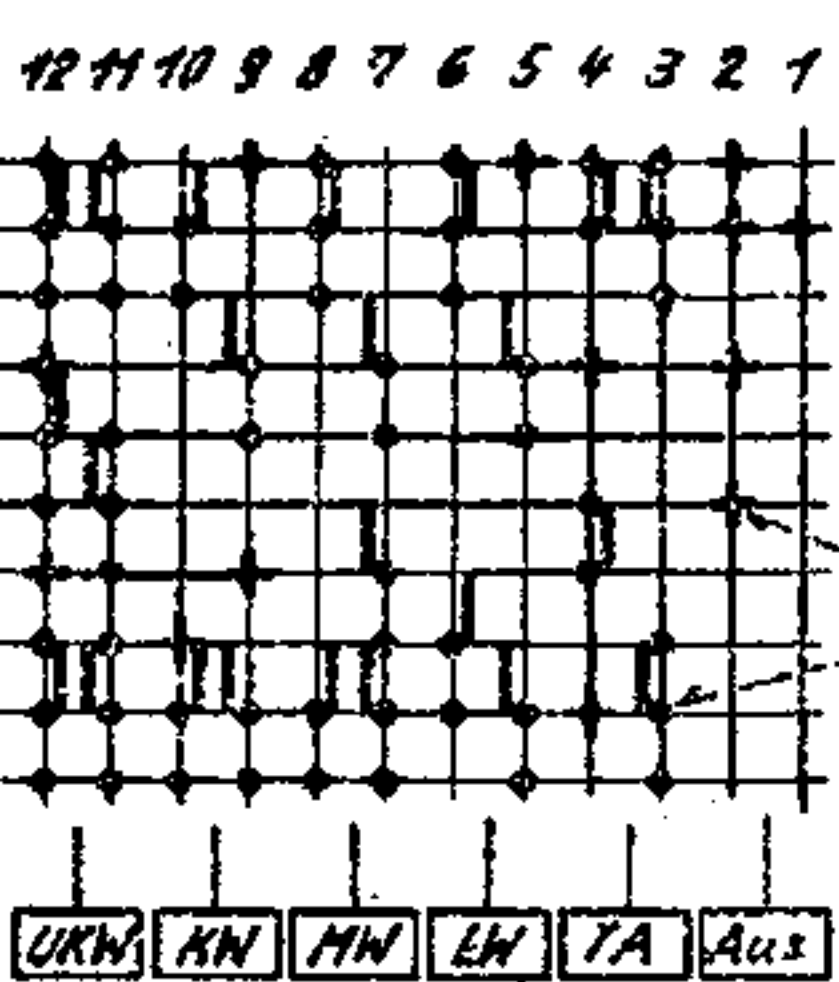
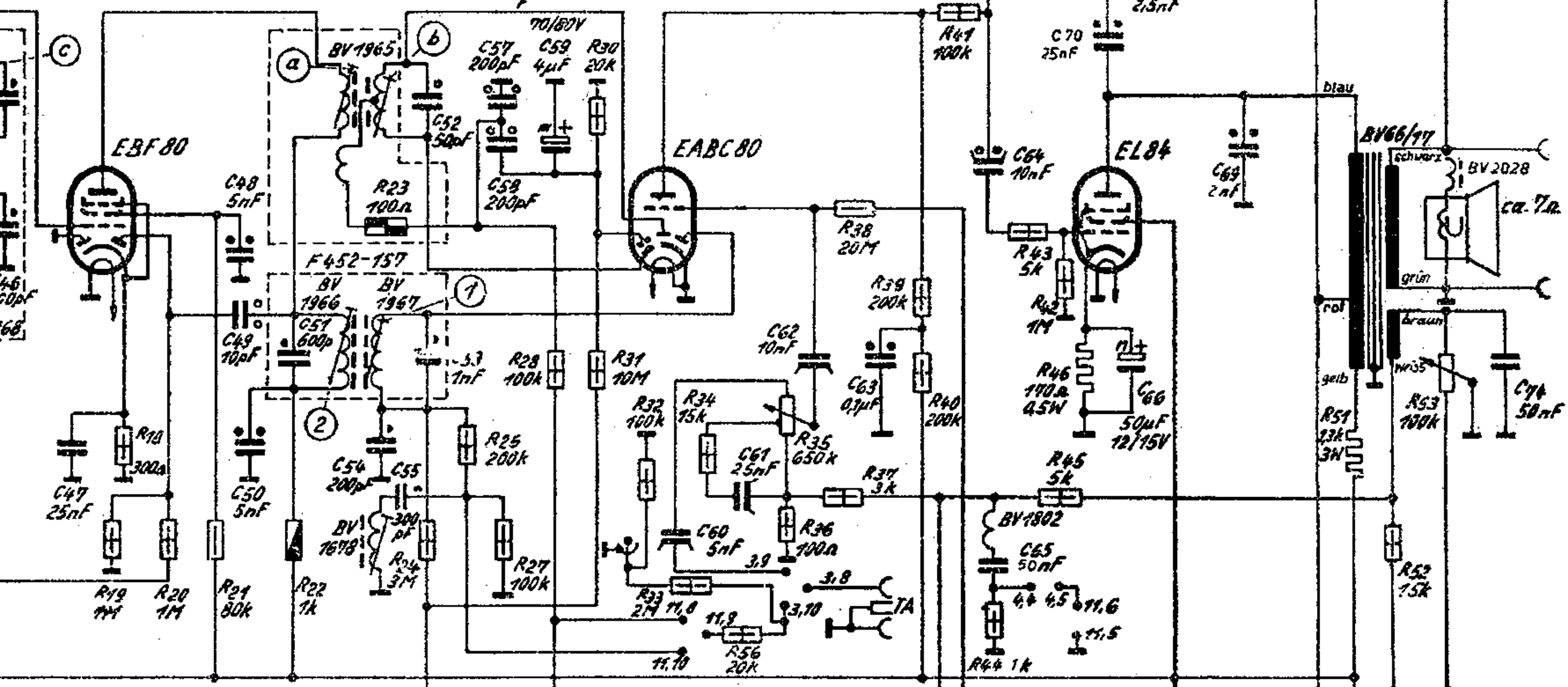
EM 85
6,3V 0,3A

EABC 80
6,3V 0,45A

EL 84
6,3V 0,76A



F452-217



47. 48, 49, 50, 51, 52, 53, 54, 55, 56, 57, 58, 59, 60, 61, 62, 63, 64, 65, 66, 67, 68, 69, 70, 71, 72, 73, 74, 75, 76, 77, 78, 79, 80, 81, 82, 83, 84, 85, 86, 87, 88, 89, 90, 91, 92, 93, 94, 95, 96, 97, 98, 99, 100