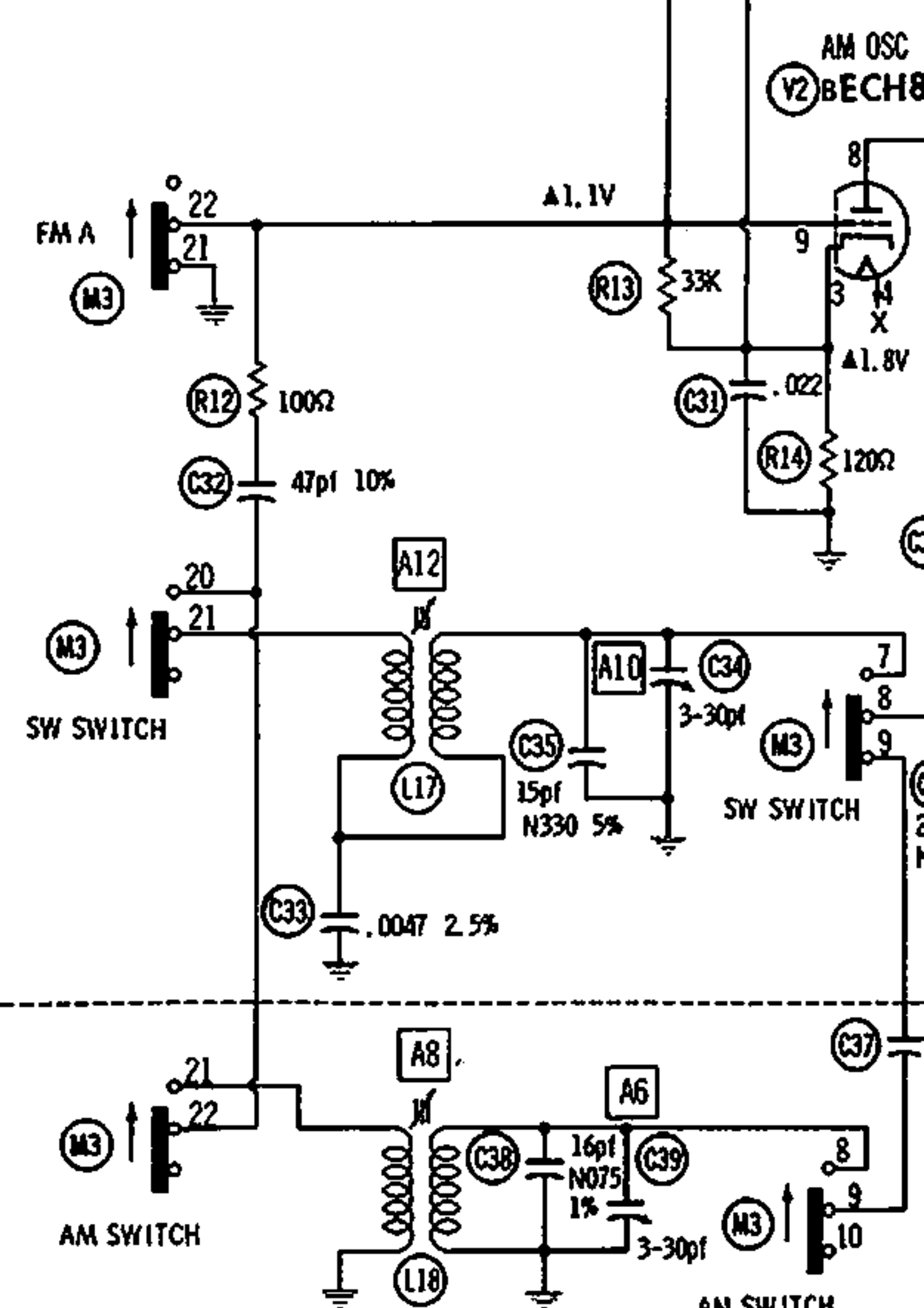
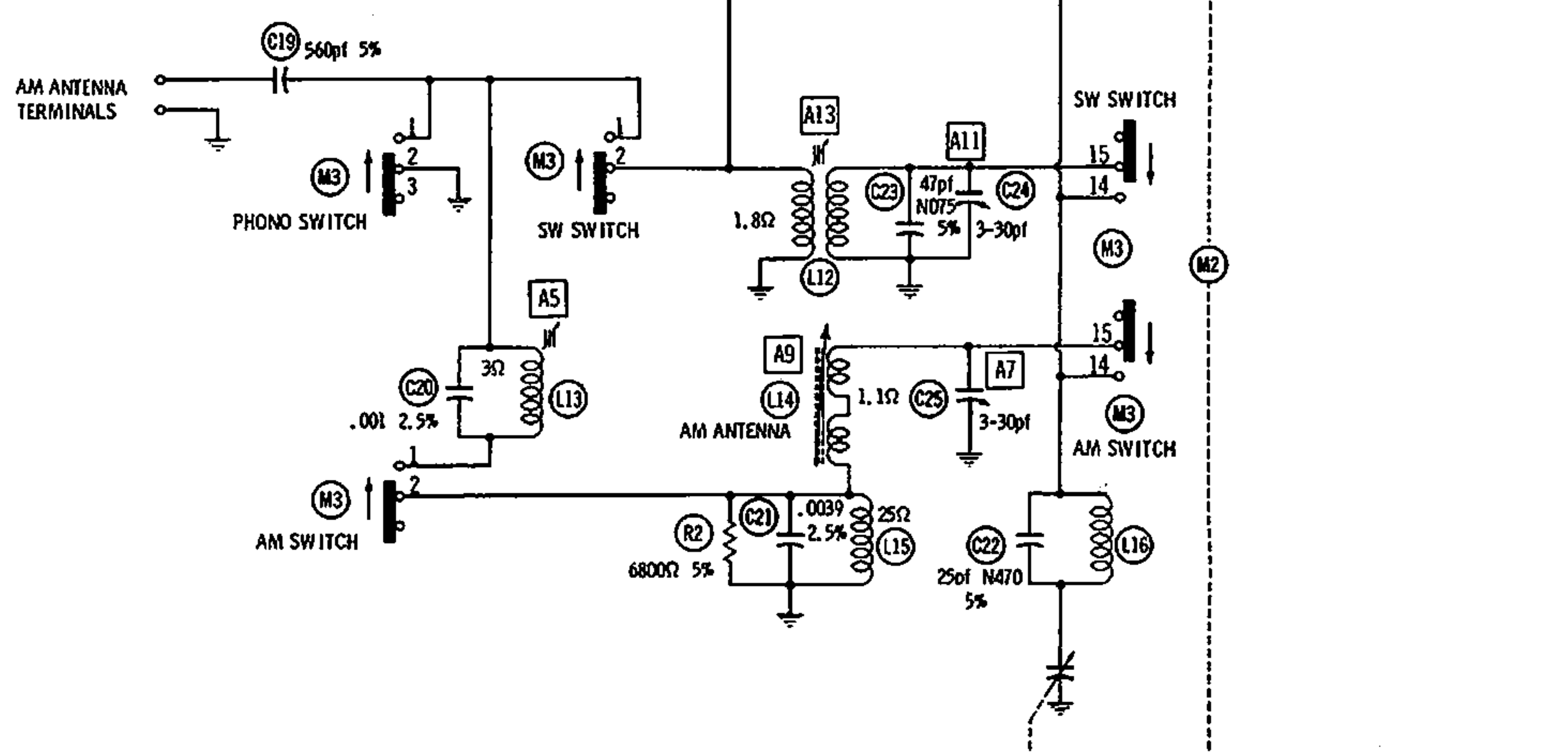


LINK ON ANTENNA TERMINAL BOARD. CUT WHEN EXTERNAL AM ANTENNA IS USED.



OFF	PHONO	AM	SW	FM
10	10	10	10	12
2	2	2	2	13
3	3	3	3	14
15 TP 4	15	15	15	15
16	16	16	16	16 TP
17 TP 6	17	17	17	17
18 TP 7	18	18	18	18
19 TP	19	19	19 TP	19
20	20	20	20	20
21 10	21	21	21	21
22 11	22	22	11 TP	22

M3 FUNCTION SWITCH SHOWN IN FM POSITION. TP-TIE POINT

RESISTANCE MEASUREMENTS

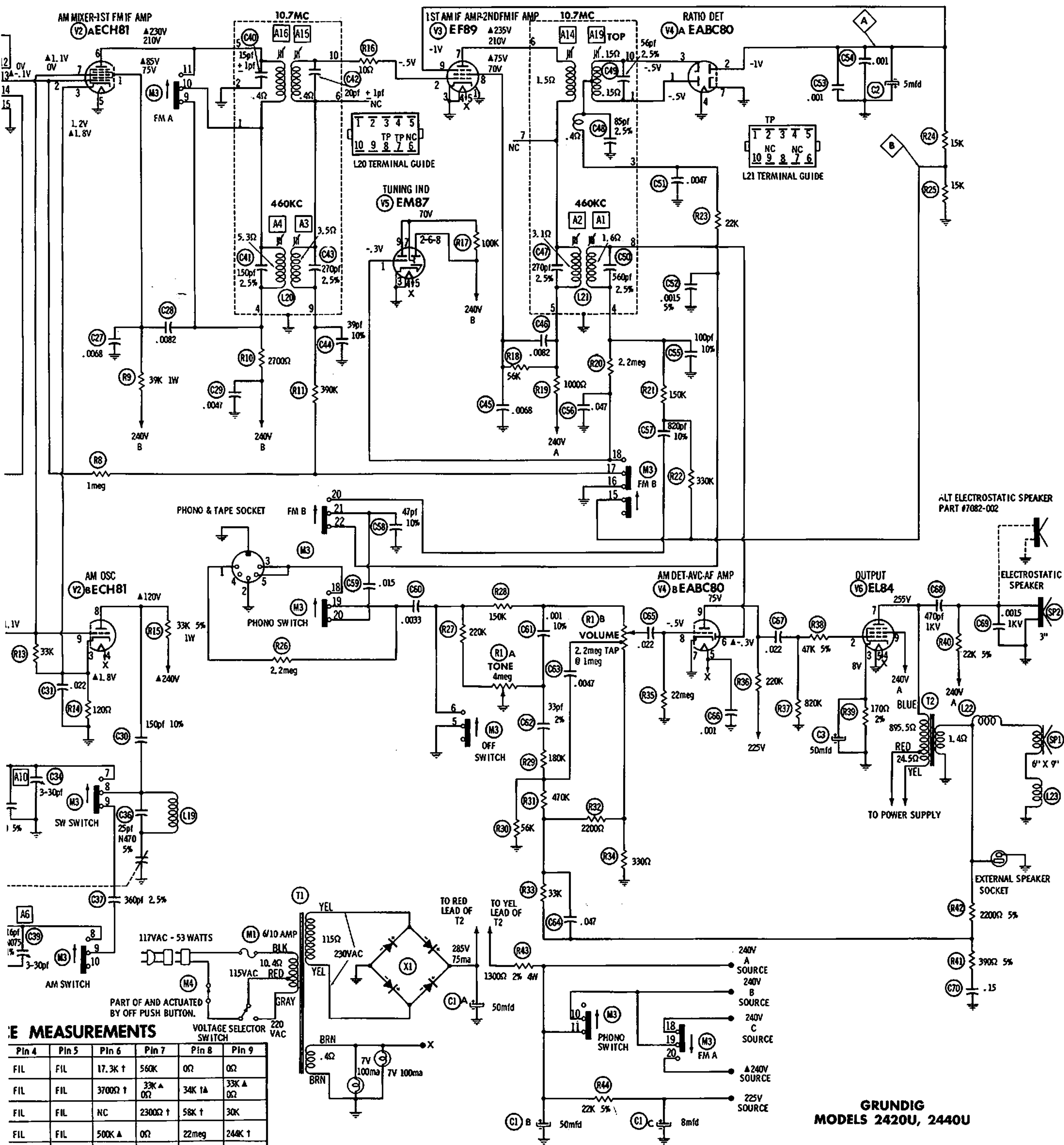
ITEM	TUBE	Pin 1	Pin 2	Pin 3	Pin 4	Pin 5	Pin 6
V1	ECC85	2300Ω †	330K	150Ω	FIL	FIL	17.3K
V2	ECC85	40K †	3.6meg A 1.2Ω	120Ω	FIL	FIL	3700Ω
V3	EF89	0Ω	390K	0Ω	FIL	FIL	NC
V4	EABC80	INF	30K	INF	FIL	FIL	500K A
V5	EM87	2.7meg	NC	0Ω	FIL	FIL	1300Ω
V6	EL84	NC	867K	170Ω	FIL	FIL	NC

ALL MEASUREMENTS MADE IN "FM" POSITION UNLESS OTHERWISE DESIGNATED.
† MEASURED IN "AM" POSITION.

Resistors are 1/2 watt or less and rated 10% or 20% unless otherwise indicated.

1. Voltage measurements taken with vacuum tube voltmeter.
2. All controls set for normal operation, no signal applied.
3. Measured values are from socket pin or terminal to common ground.
4. All terminals viewed from bottom unless otherwise designated.
5. Numbers assigned to terminals may not be found on the unit.
6. Supply voltage maintained at rated value for voltage readings.

A PHOTOFACIT STANDARD NOTATION SCHEMATIC
© Howard W. Sams & Co. Inc., 1965



E MEASUREMENTS

Pin 4	Pin 5	Pin 6	Pin 7	Pin 8	Pin 9
FIL	FIL	17.3K ↑	560K	0Ω	0Ω
FIL	FIL	3700Ω ↑	33K ▲ 0Ω	34K 1A	33K ▲ 0Ω
FIL	FIL	NC	2300Ω ↑	58K ↑	30K
FIL	FIL	50K ▲	0Ω	22meg	244K ↑
FIL	FIL	1300Ω ↑	101K ↑	NC	101K ↑
FIL	FIL	NC	895Ω ↑	NC	1300Ω ↑

UNLESS OTHERWISE DESIGNATED, NC NO CONNECTION
↑ MEASURED FROM X1.

GRUNDIG
MODELS 2420U, 2440U

TRADE NAME: Grundig Models 2420U, 2440U

SUPPLIER: For Current Address, See Master Index.

TYPE SET: 6 Tube BC-SW-FM Receiver

POWER SUPPLY: 115-120 Volts AC, 60 Cycles

RATING: 53 Watts, .54 Amp. @ 117 Volts AC

TUNING RANGE: BROADCAST 510-1620KC
SHORT WAVE 5.9-16MC

FREQ. MOD: 88-108MC

DIAL CORD STRINGING

