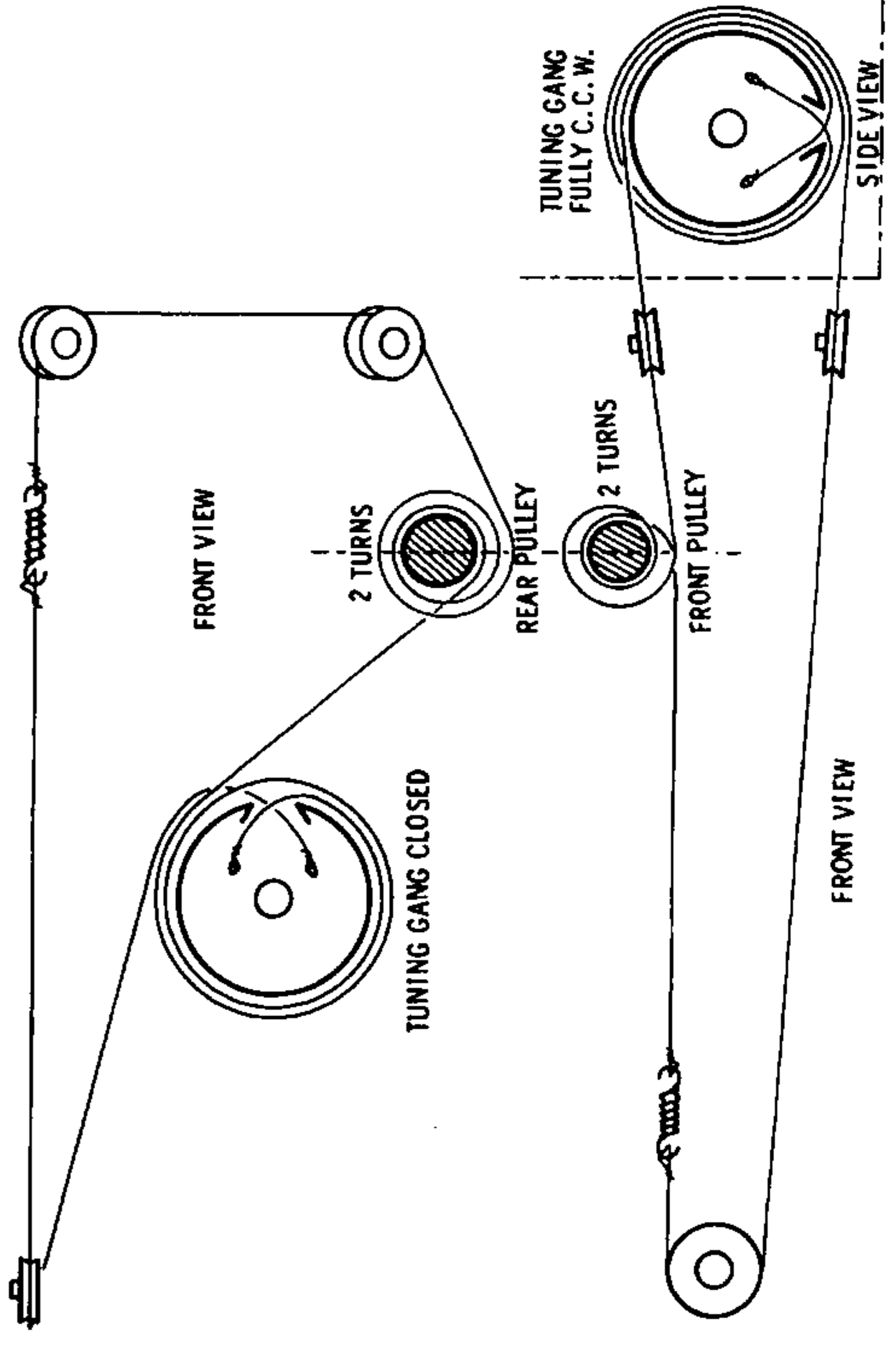
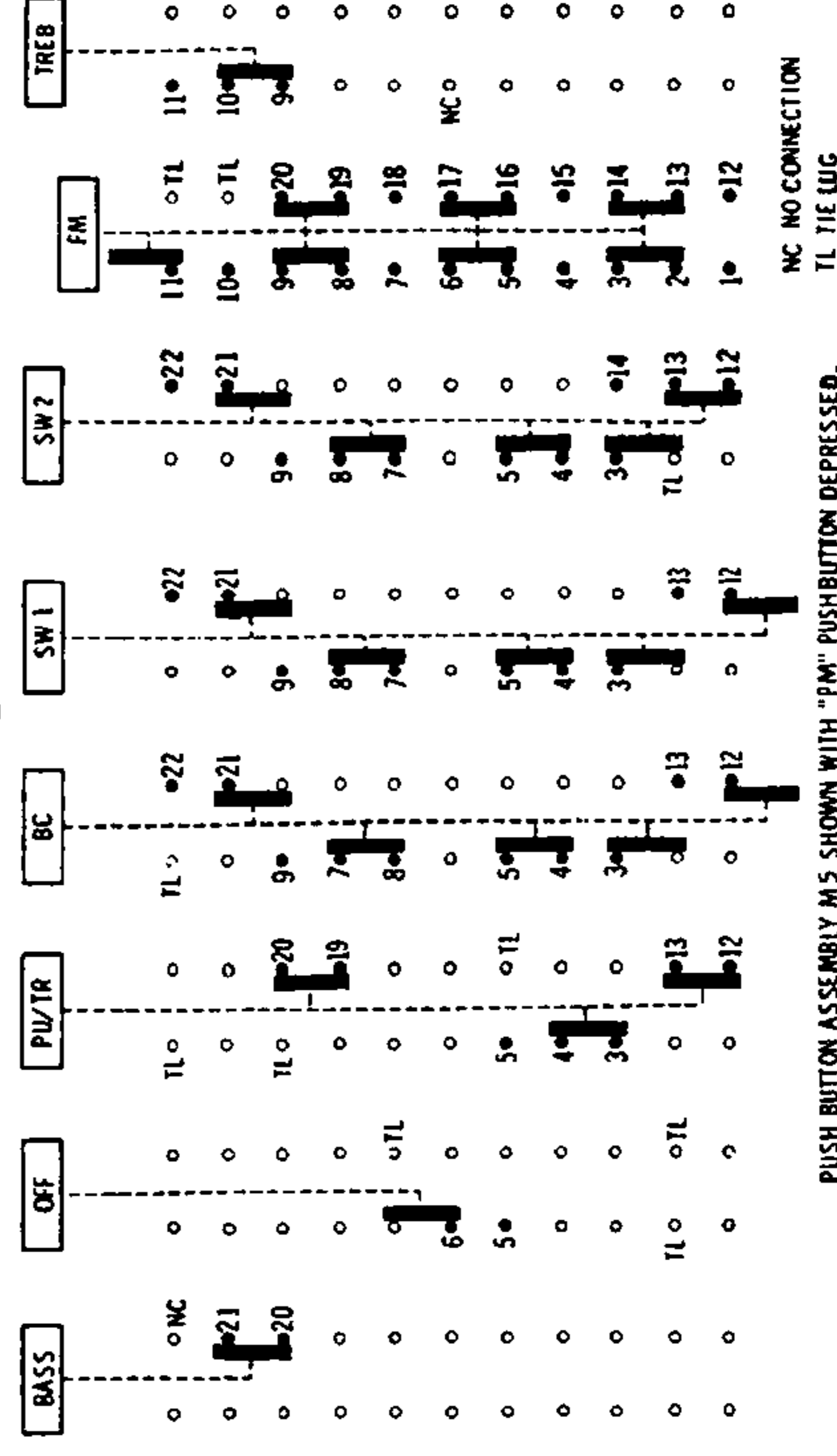


**DIAL CORD STRINGING**



1. Voltage measurements taken with vacuum tube voltmeter.
2. All controls set for normal operation, no signal applied.
3. Measured values are from socket pin or terminal to common ground.
4. All terminals viewed from bottom unless otherwise designated.
5. Numbers assigned to terminals may not be found on the unit.
6. Supply voltage maintained at rated value for voltage readings.

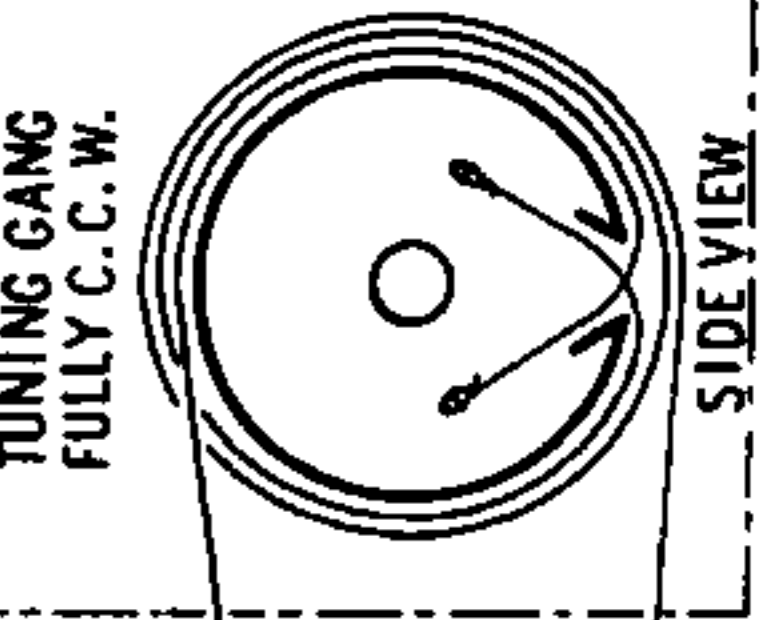


**RESISTANCE READINGS**

ITEM	TUBE	Pin 1	Pin 2	Pin 3	Pin 4	Pin 5	Pin 6	Pin 7	Pin 8	Pin 9
V1	6X4	12300Ω	1.1MΩ	150Ω	FIL	FIL	117K	330K	0Ω	0Ω
V2	6AR5	22K	22K	100Ω	FIL	FIL	14000Ω	22K	27K	27K
V3	6AV6	0Ω	390K	0Ω	FIL	FIL	17300Ω	156K	27K	27K
V4	6BE6	INF	27K	INF	FIL	FIL	440K	0Ω	22MΩ	1243K
V5	6BD6	NC	86K	170Ω	FIL	FIL	1460Ω	NC	11300Ω	11300Ω
V6	6BM8	2.2MΩ	NC	0Ω	FIL	FIL	11300Ω	1471K	NC	1471K

ALL MEASUREMENTS TAKEN IN "FM" POSITION UNLESS OTHERWISE DESIGNATED.  
\* MEASURED IN "AM" POSITION.  
† MEASURED FROM B+ SOURCE.  
NC NO CONNECTION

PUSH BUTTON ASSEMBLY M5 SHOWN WITH "FM" PUSHBUTTON DEPRESSED. (BOTTOM VIEW)



FRONT VIEW

SLIDE VIEW