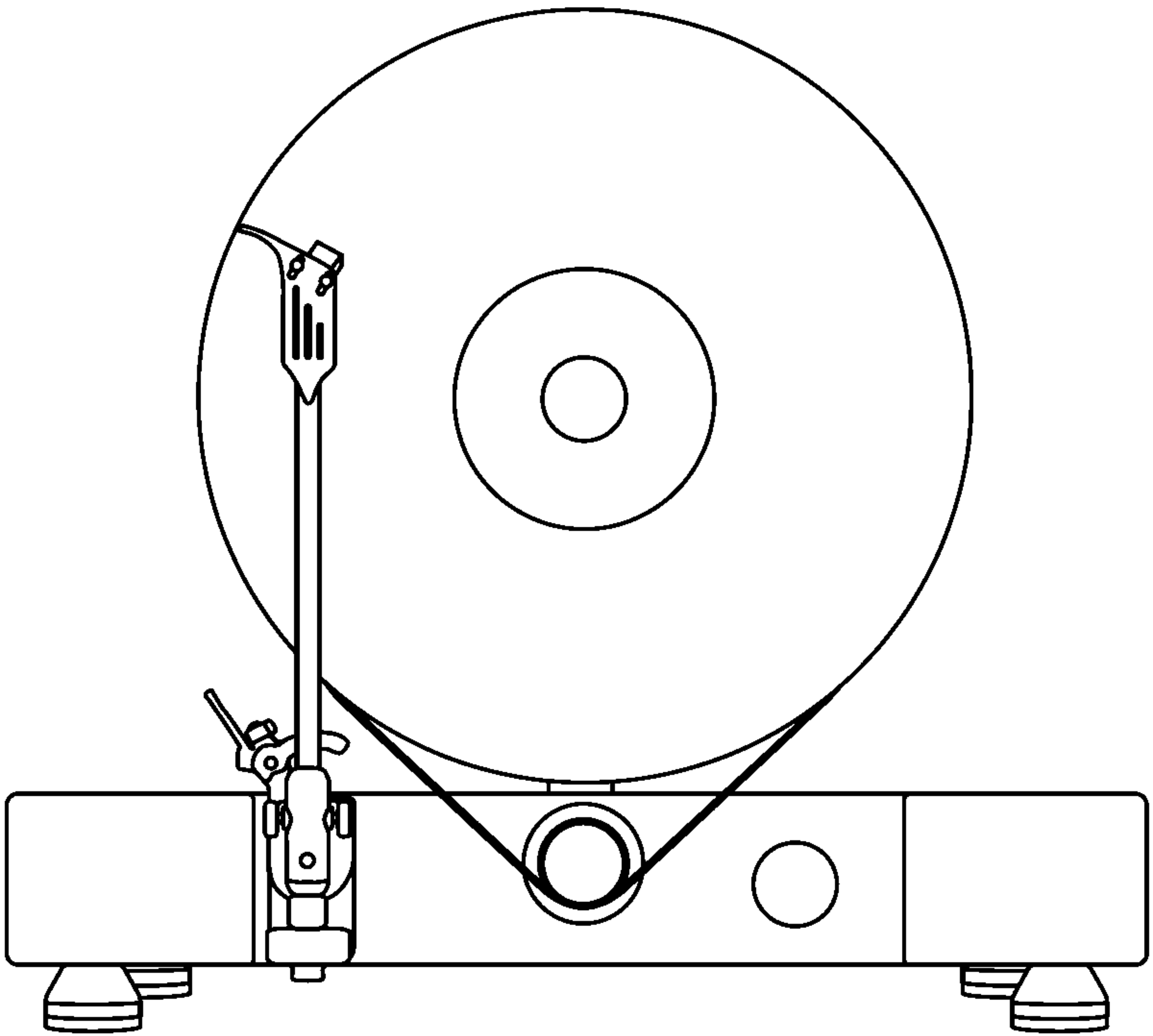
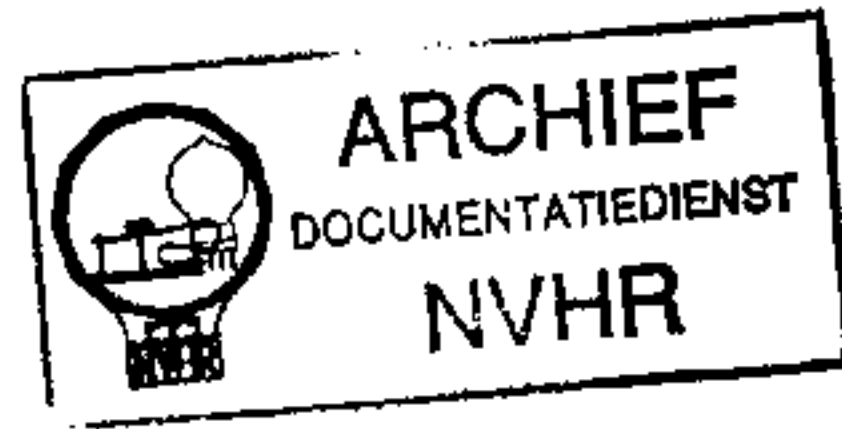


# Gramovox®

Ned. Ver. v. Historie v/d Radio



## FLOATING RECORD VERTICAL TURNTABLE

USER MANUAL

**THANK YOU**

**FOR PURCHASING THE GRAMOVOX**

**FLOATING RECORD VERTICAL TURNTABLE.**

At Gramovox we're dedicated to reimagining vintage design with modern technology. The Floating Record is a high-performance turntable that plays your records vertically through built-in, dynamic, full-range stereo speakers. Get ready to spin vinyl right out of the box.

**CHEERS,**

**THE GRAMOVOX TEAM**

# TABLE OF CONTENTS

1 Equipment List

2 Packaging

3 Assembly

7 Controls

9 How to Use

18 How to Use External Speakers

19 Maintenance

20 Detailed Specifications

21 Warnings and Legal

23 Contact

# EQUIPMENT LIST

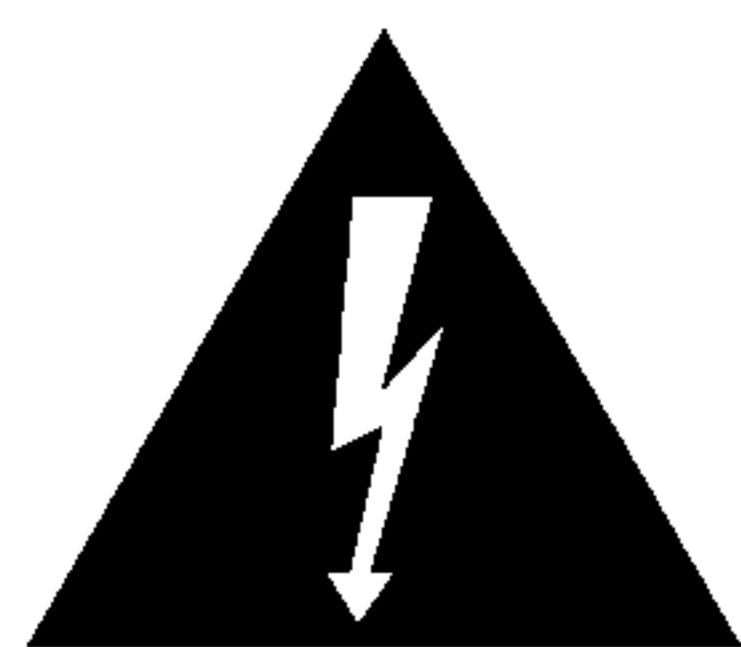
- 1 Genuine Wood Veneer Base with Acrylic plinth and Carbon Fiber Tonearm
- 1 Acrylic Platter
- 1 Record Clamp
- 1 45 RPM Record Adapter
- 1 Silicone Belt
- 1 Felt Slipmat
- 1 Power Adapter
- 1 Power Cord

# SYMBOLS

 Direct Current



Headphone Jack



Dangerous Voltage

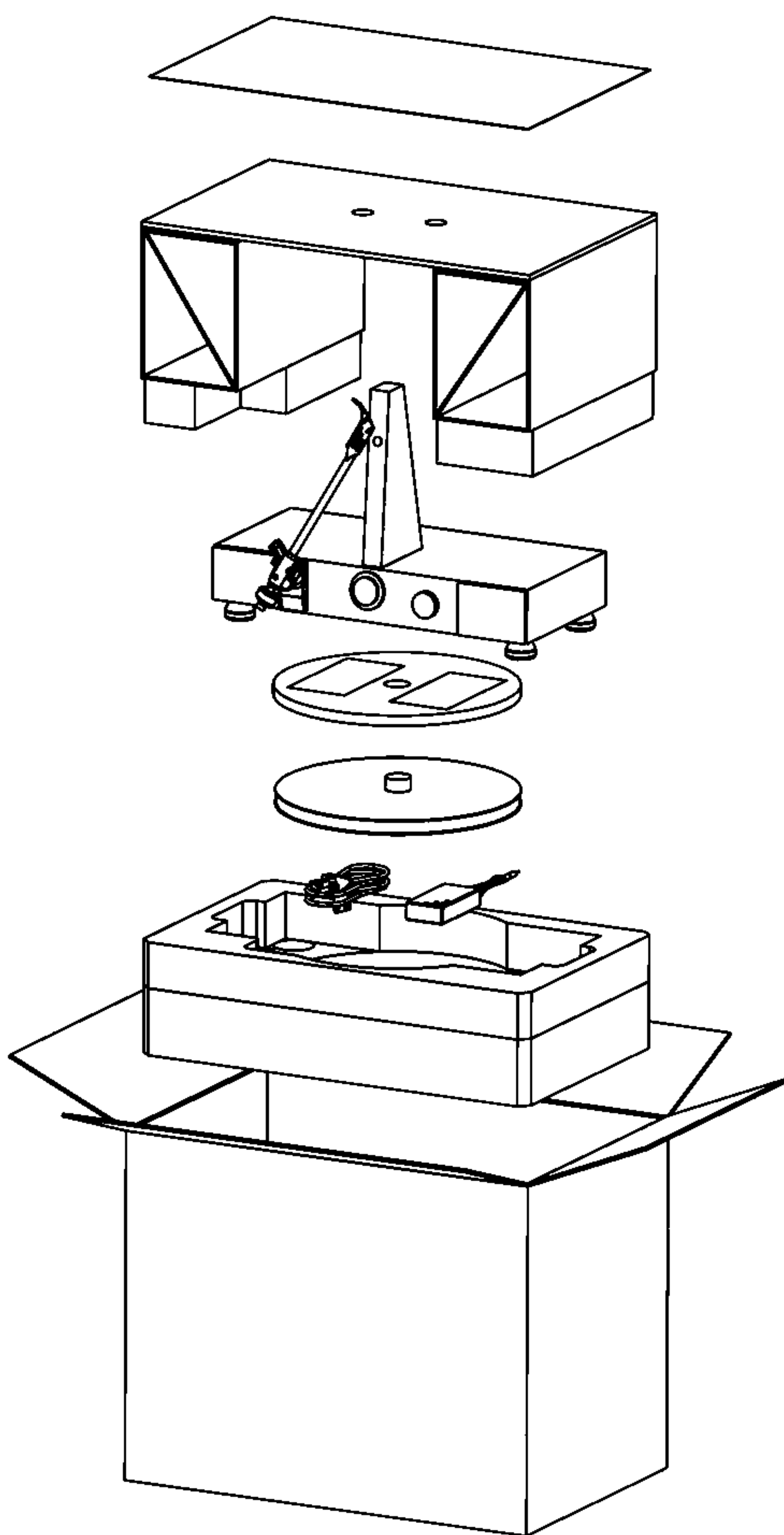


Caution

# PACKAGING

The packaging your Floating Record arrives in should be kept for storage of the product. This packaging is also required to process a return or service request, if needed. See the diagram below for instruction on how to re-pack your product.

**NOTE:** When repacking your product, please tilt the tone arm in toward the plinth and loosely secure with a twist tie, as shown in the diagram below.

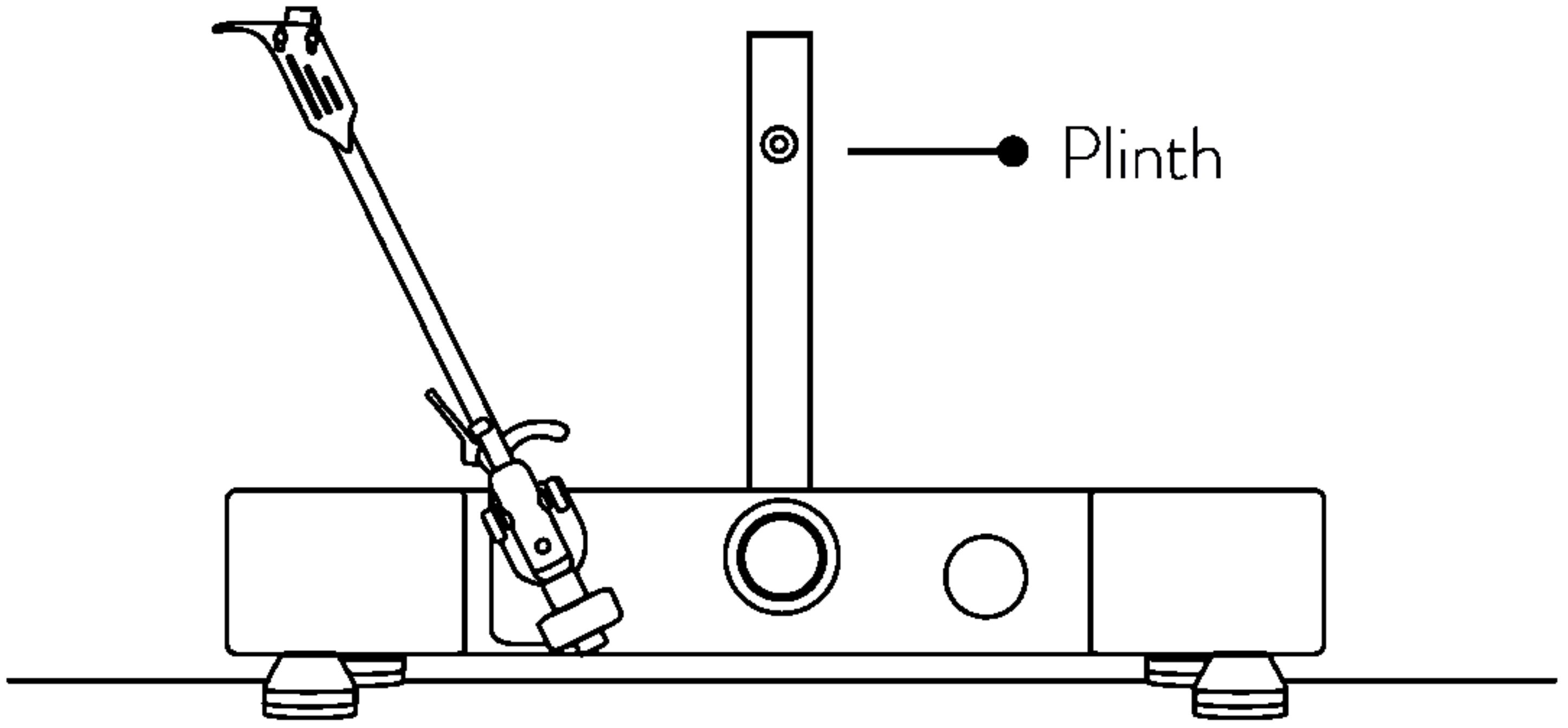




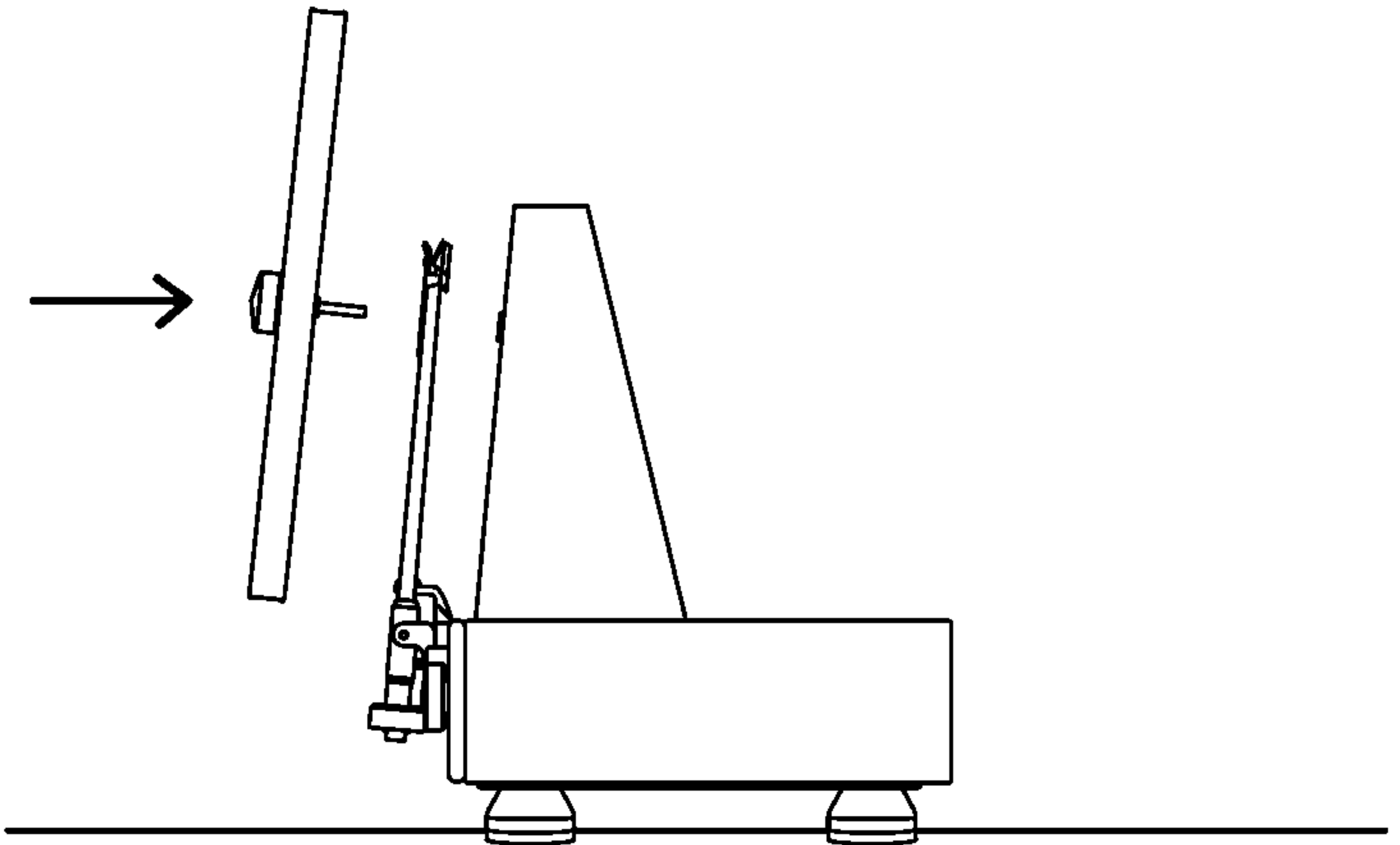
# ASSEMBLY

1. Place the Floating Record base on a stable surface.

**NOTE:** Set up the Floating Record out of reach of children and pets, and in a low-traffic area.



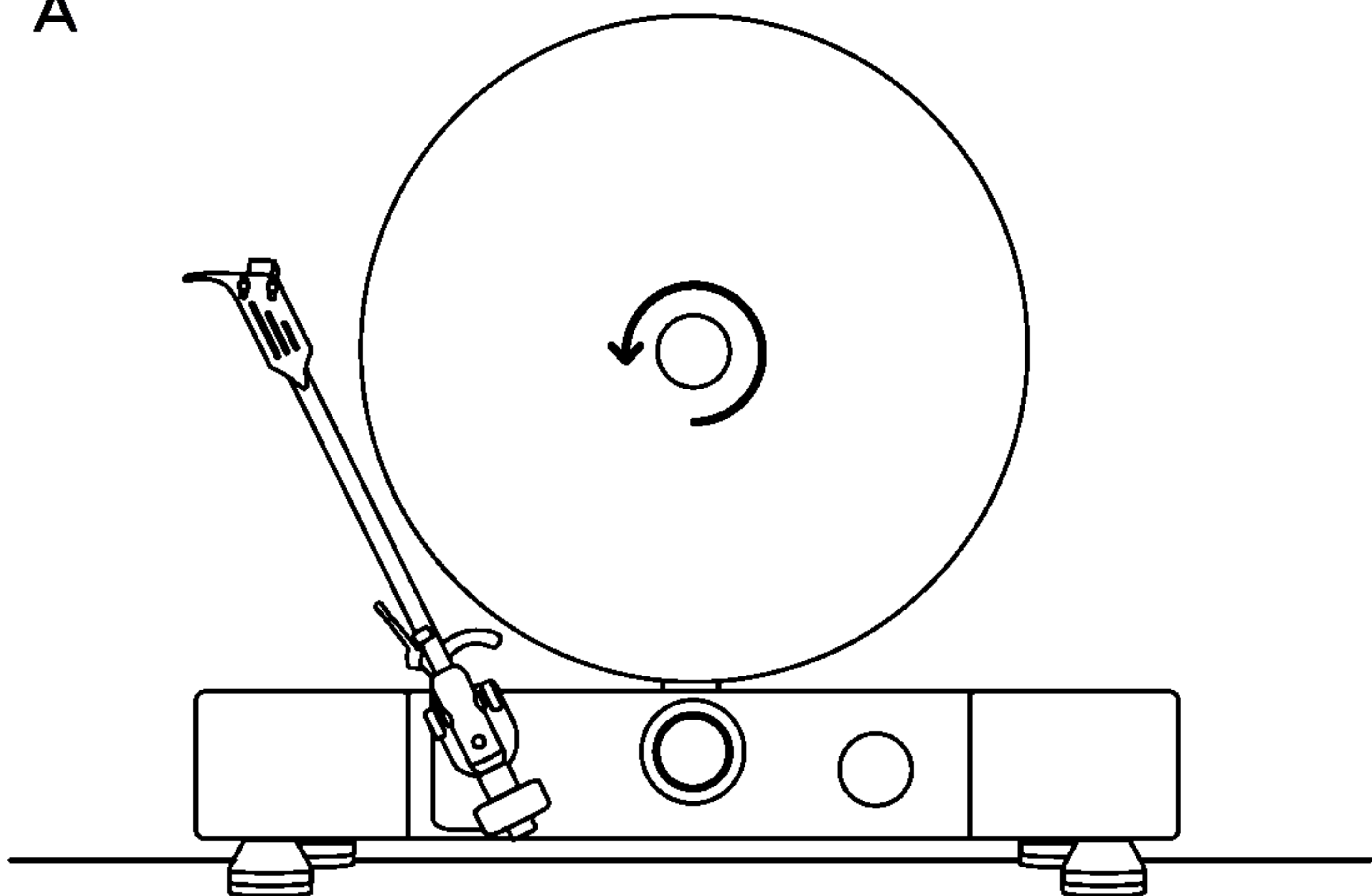
2. Insert the spindle of the platter into the corresponding hole on the plinth.



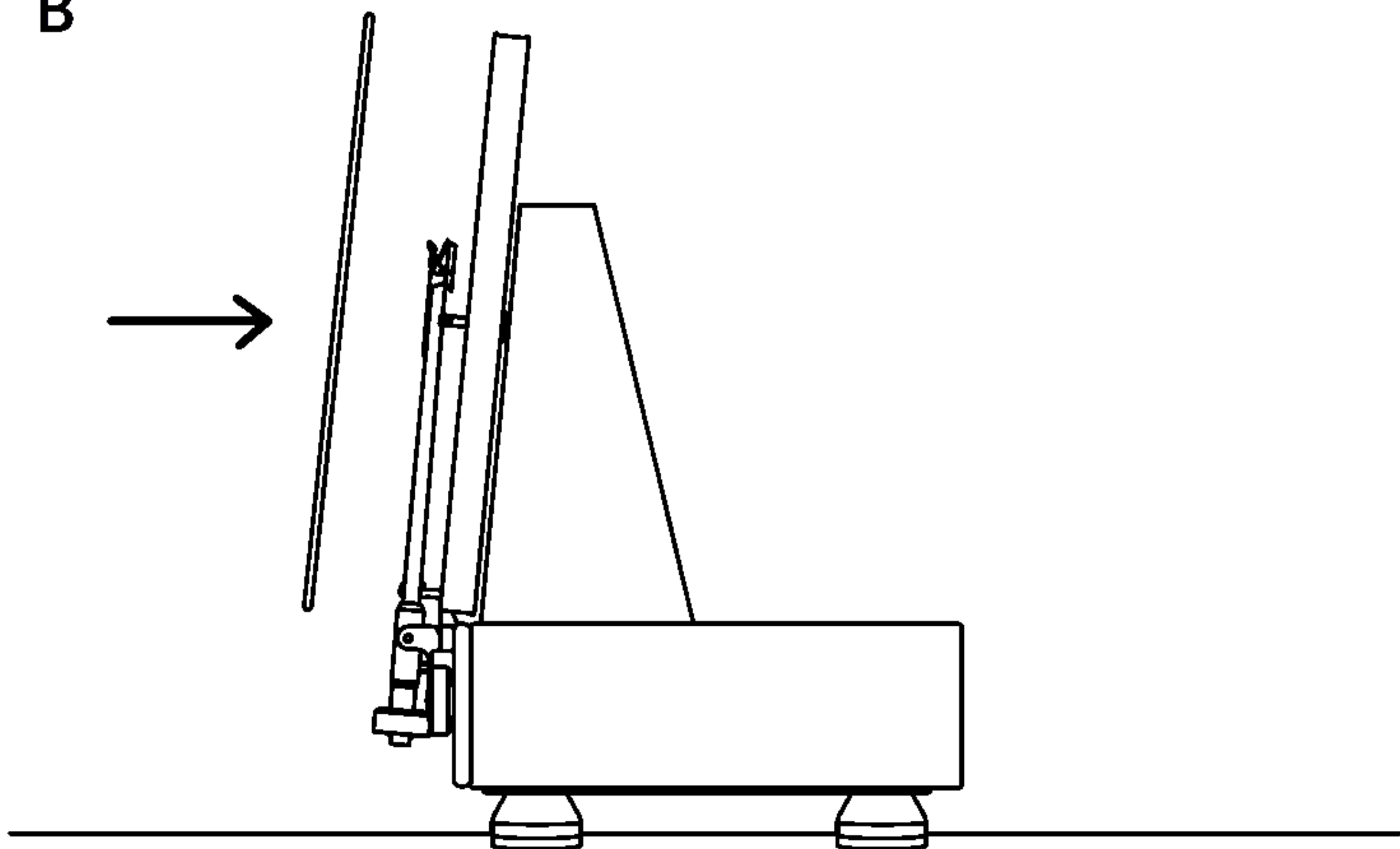
# ASSEMBLY (CONT.)

3. Unscrew the record clamp and place the felt mat on the platter.

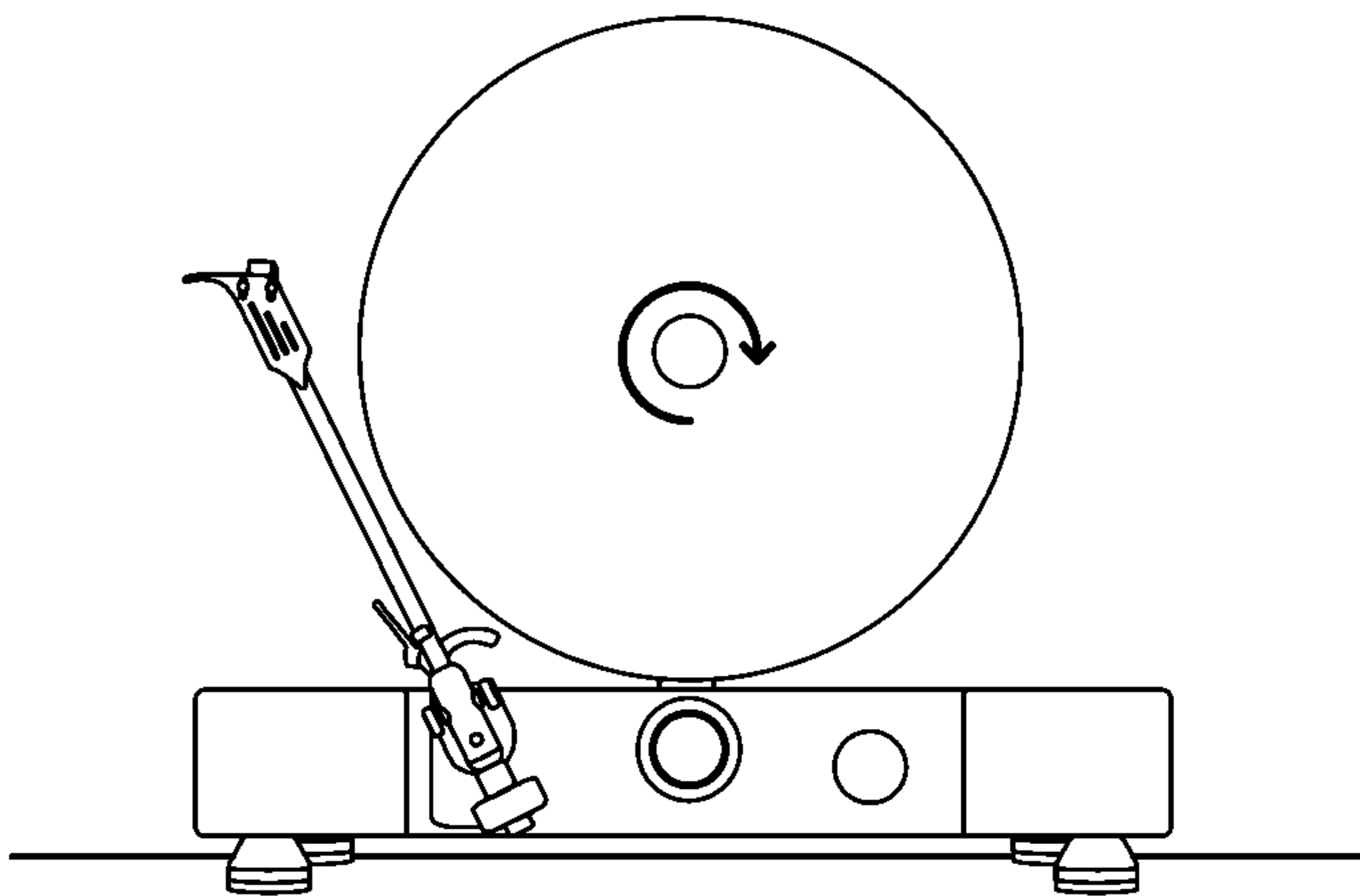
A



B

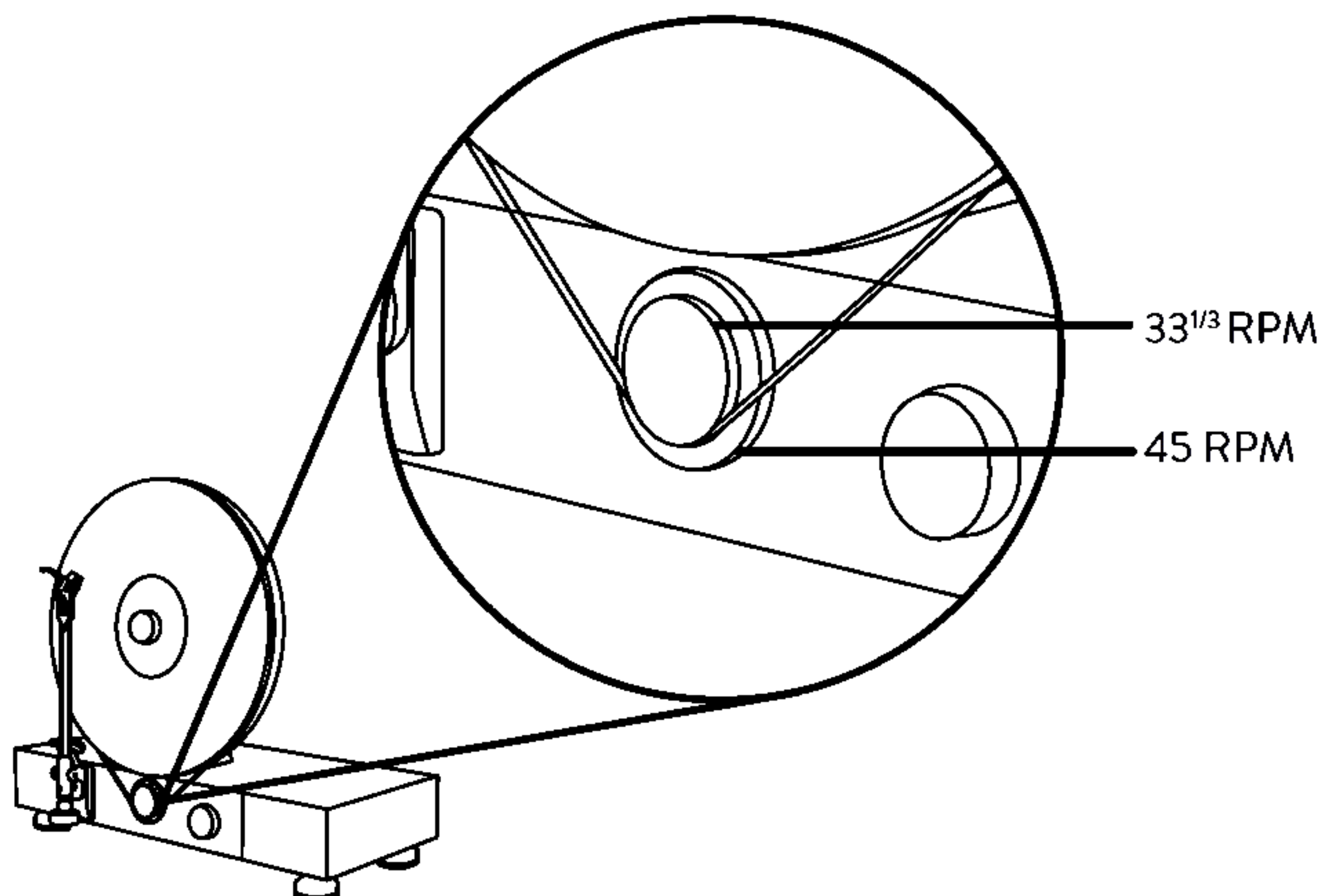


4. Screw the record clamp back on.



5. Carefully wrap the silicone belt around the edge of the platter. Pull the belt around the inner groove of the belt drive for 33<sup>1/3</sup> RPM, or the outer for 45 RPM.

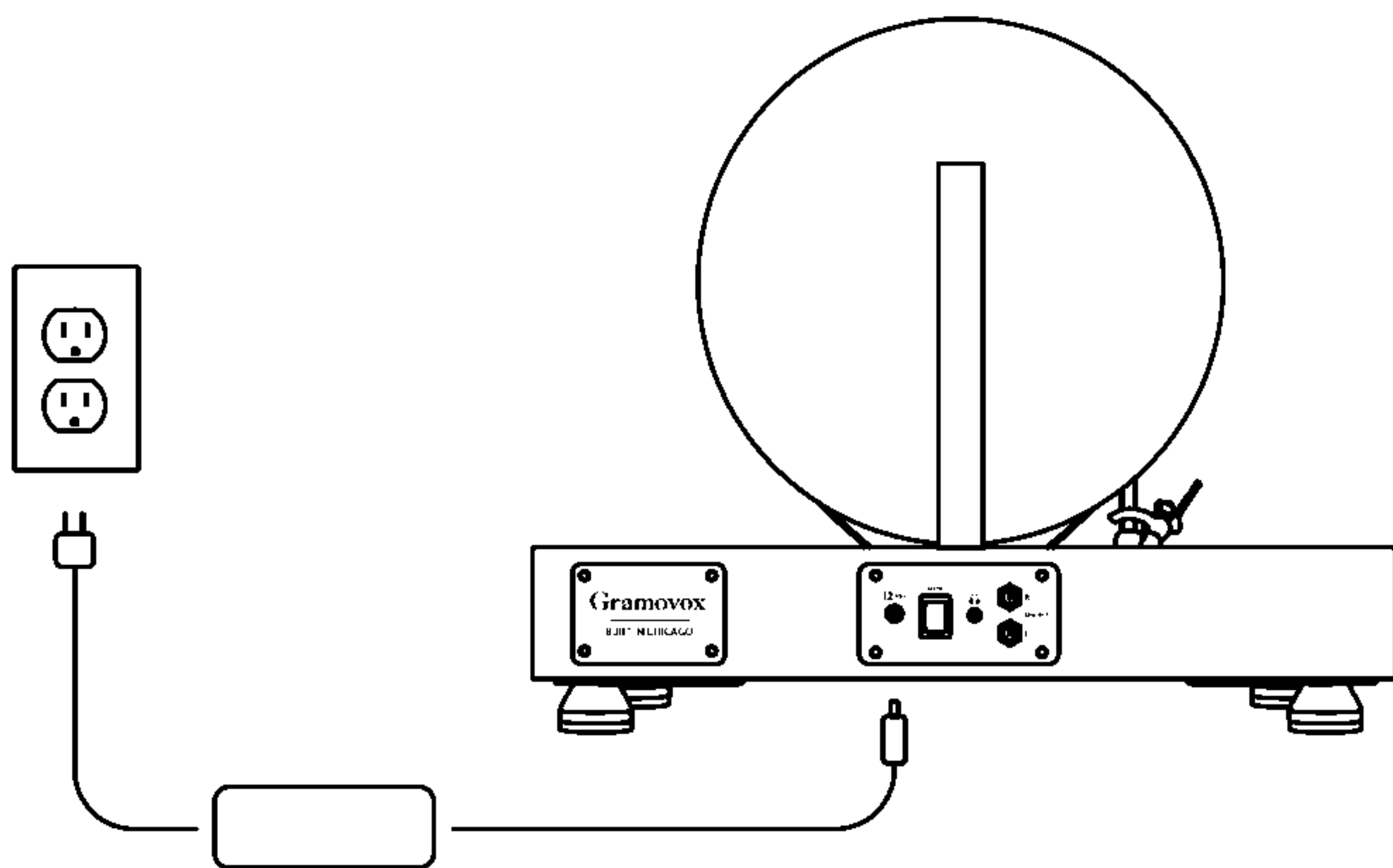
**NOTE:** Generally speaking, 33 1/3 RPM is for traditional, full-size, 12" records and 45 RPM is for smaller, 7" records. If you are having trouble installing your belt, please visit [www.gramovox.com/support](http://www.gramovox.com/support).





# ASSEMBLY (CONT.)

6. Assemble the power adapter by connecting the cord to the adapter brick, and then plug the Floating Record into a protective earthed grounded wall outlet.



# CONTROLS

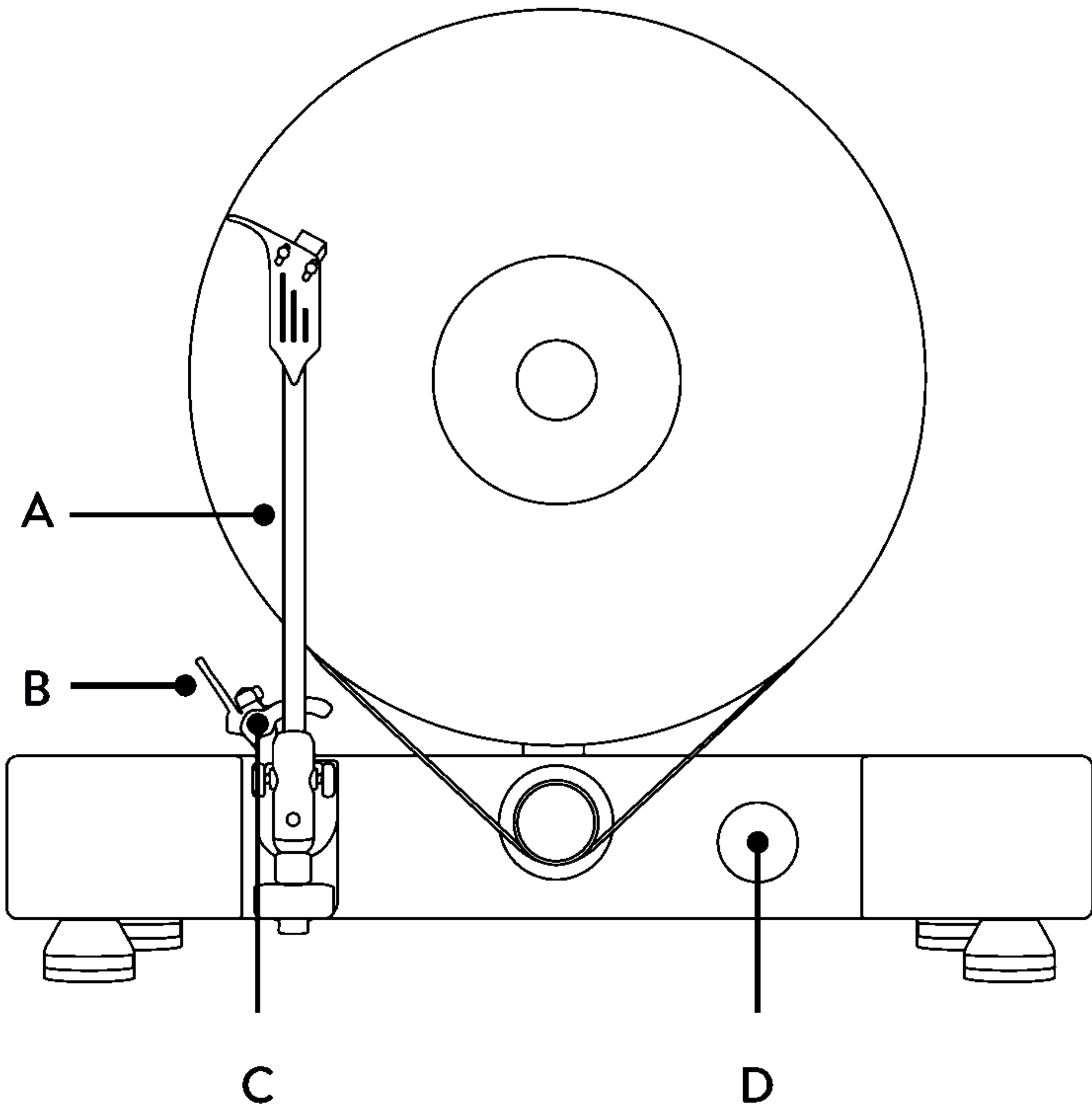
On the front of the Floating Record:

(**A**) Tone Arm

(**B**) Manual Cueing Arm

(**C**) Cradle

(**D**) Volume Knob



# CONTROLS (CONT.)

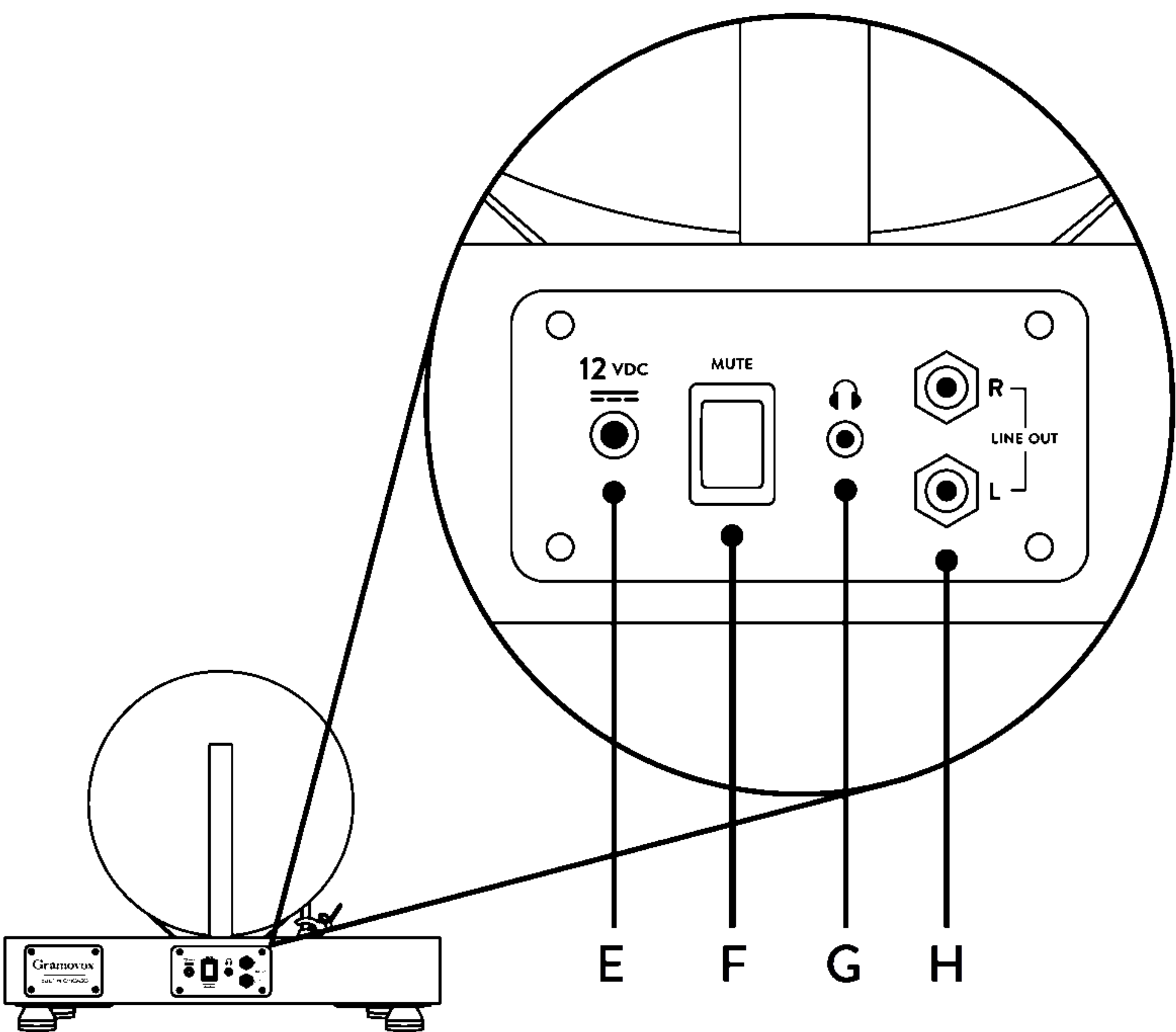
On the back of the Floating Record:

(**E**) Power Jack

(**F**) Mute Onboard Speakers

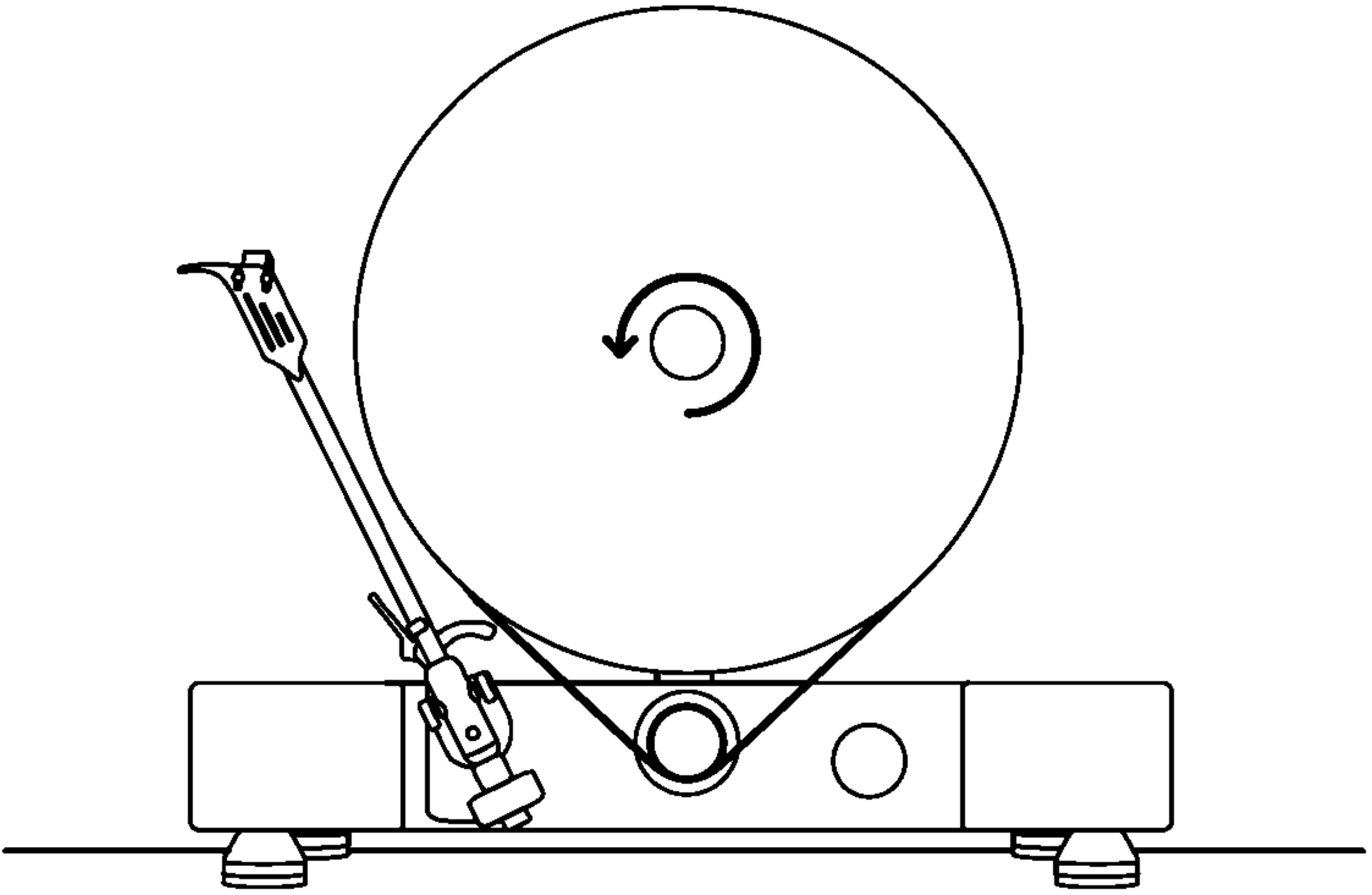
(**G**) Headphone Jack

(**H**) RCA Outputs

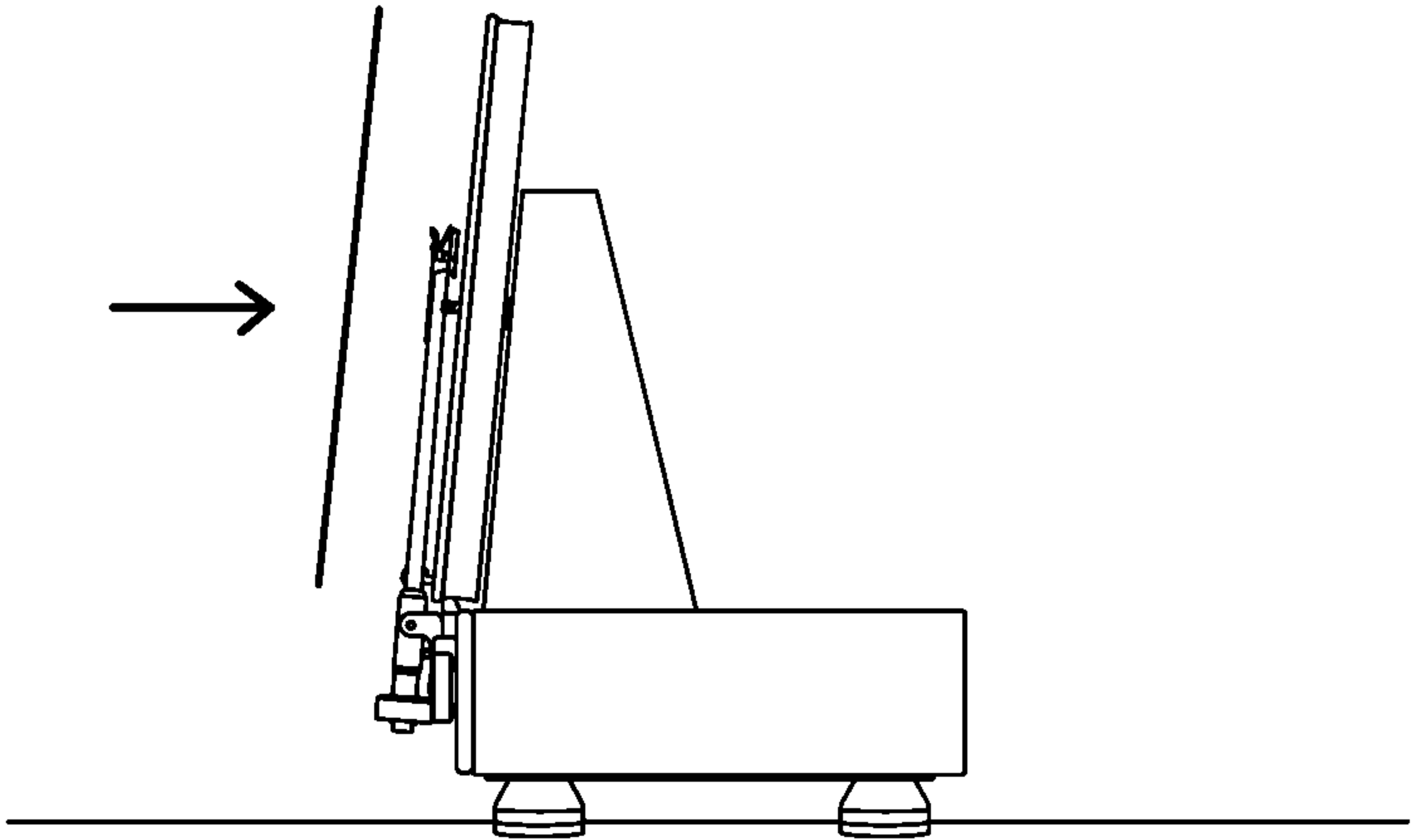


# HOW TO USE

1. Unscrew the record clamp.

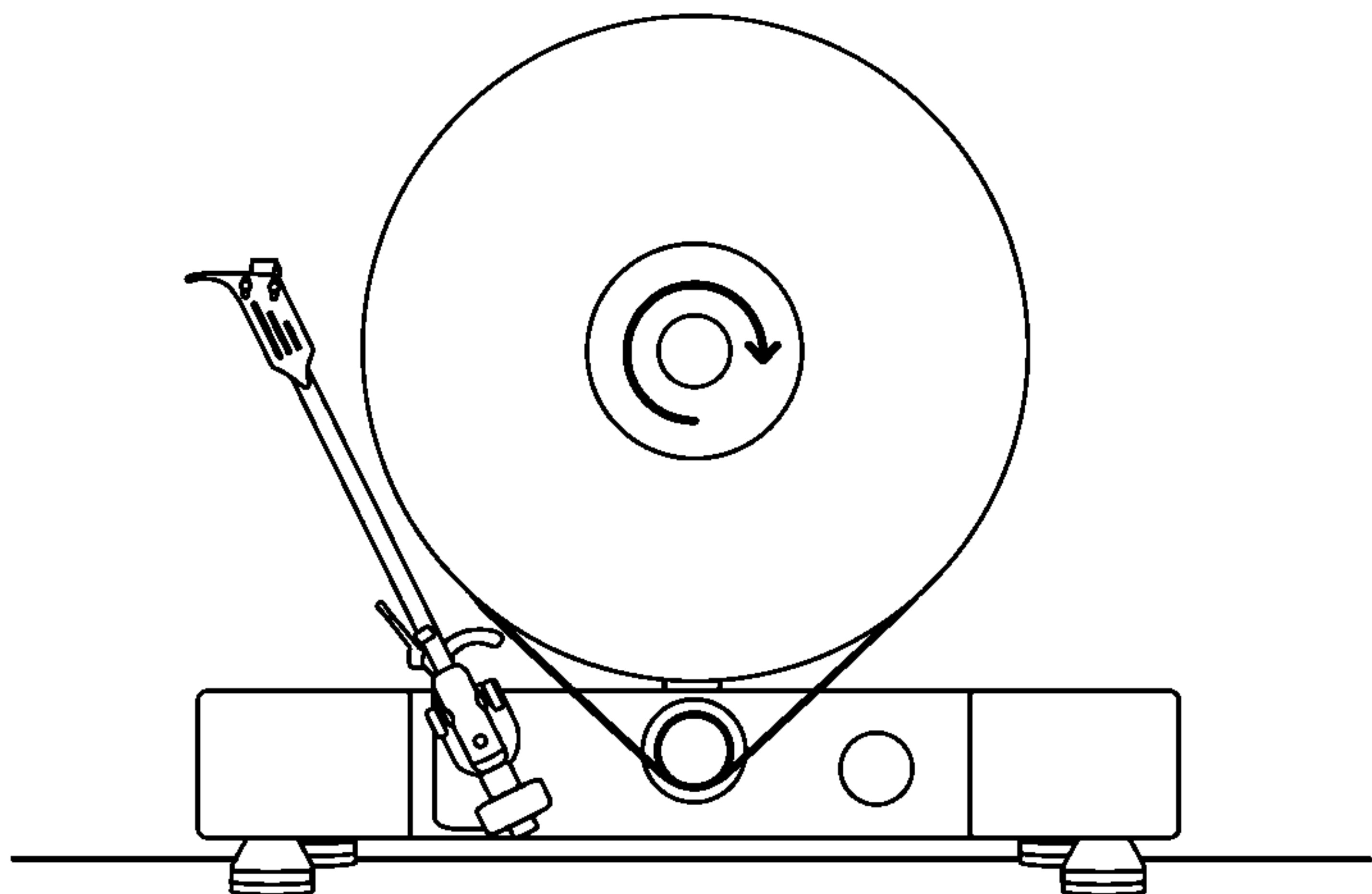


2. Place your record over the felt mat on the platter.

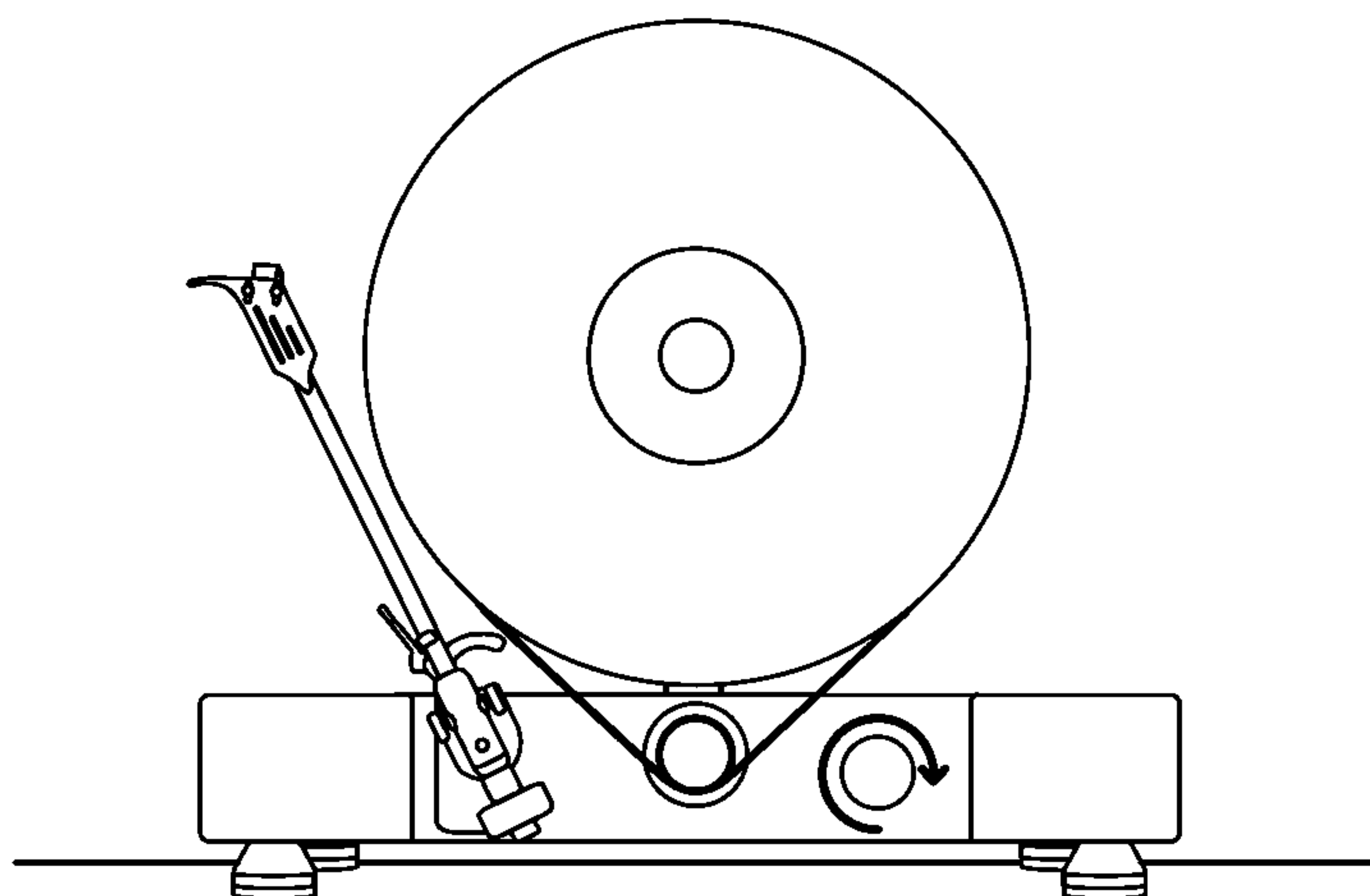


# HOW TO USE (CONT.)

3. Lightly screw the record clamp back on.



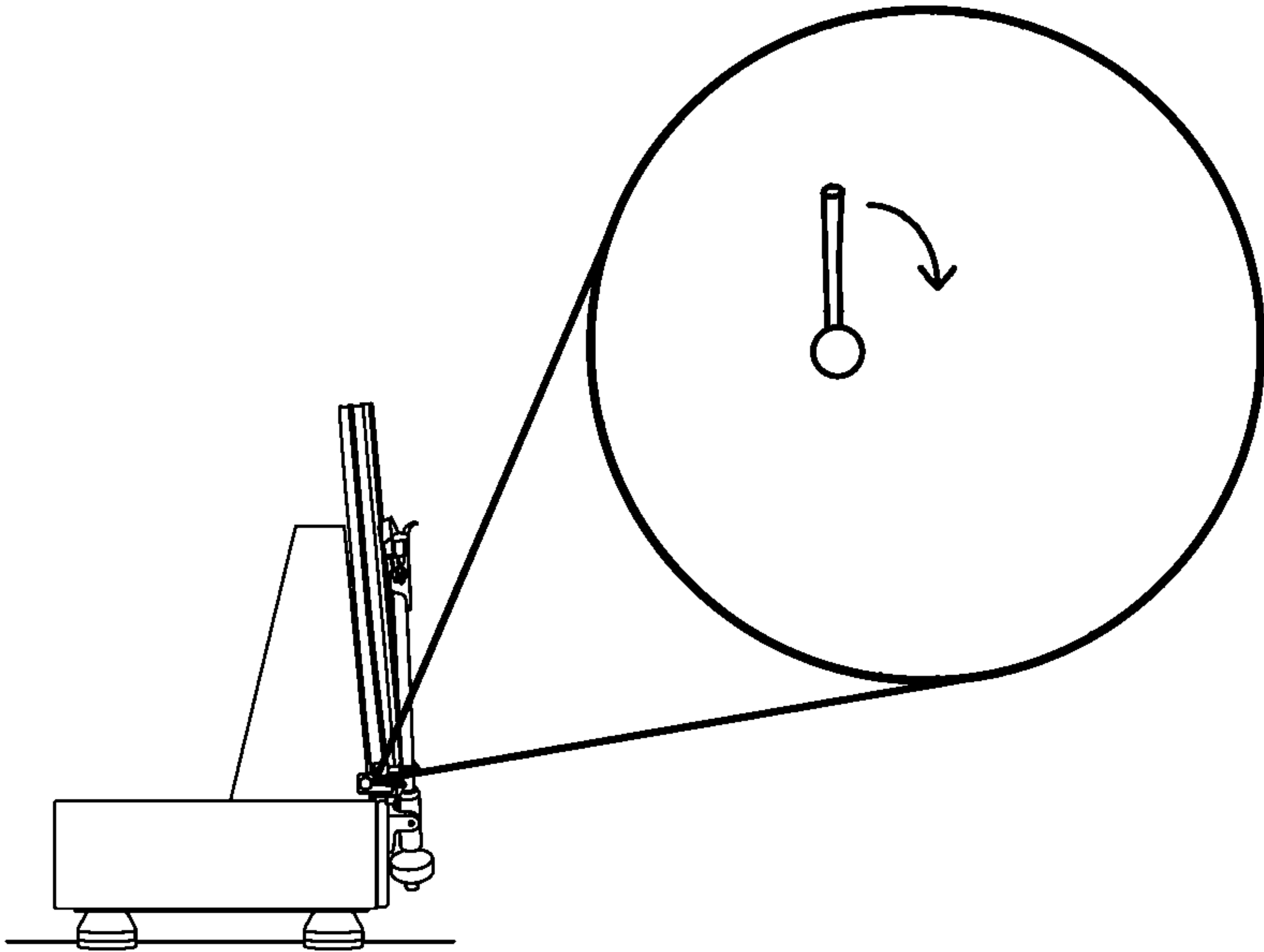
4. Turn the volume knob clockwise to power the Floating Record on, and wait for it to get up to speed.





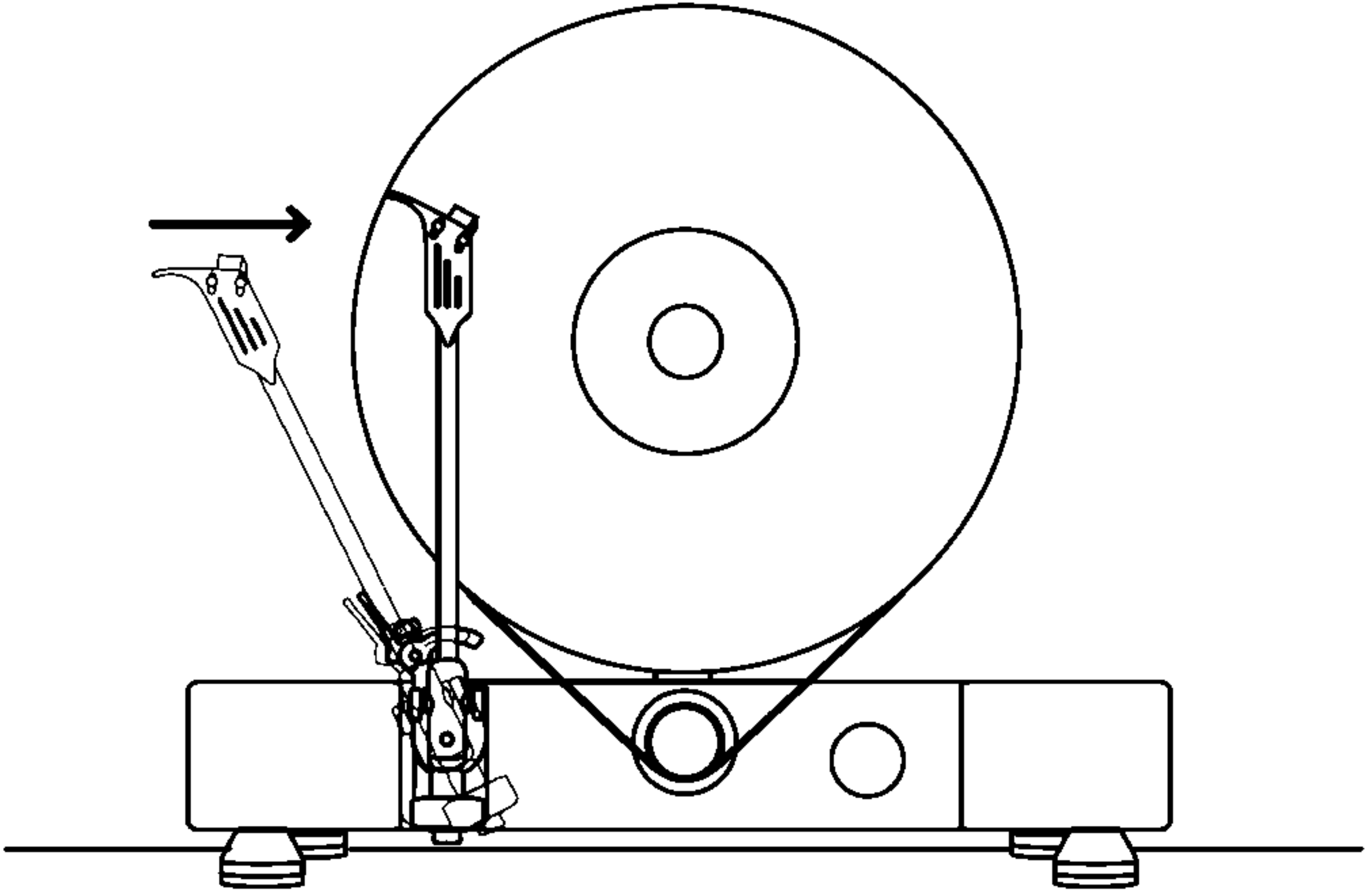
5. Gently pull the cueing arm toward you in order to lift the stylus.

**NOTE:** Be sure to remove the clear plastic stylus cover by pulling it straight up and off.

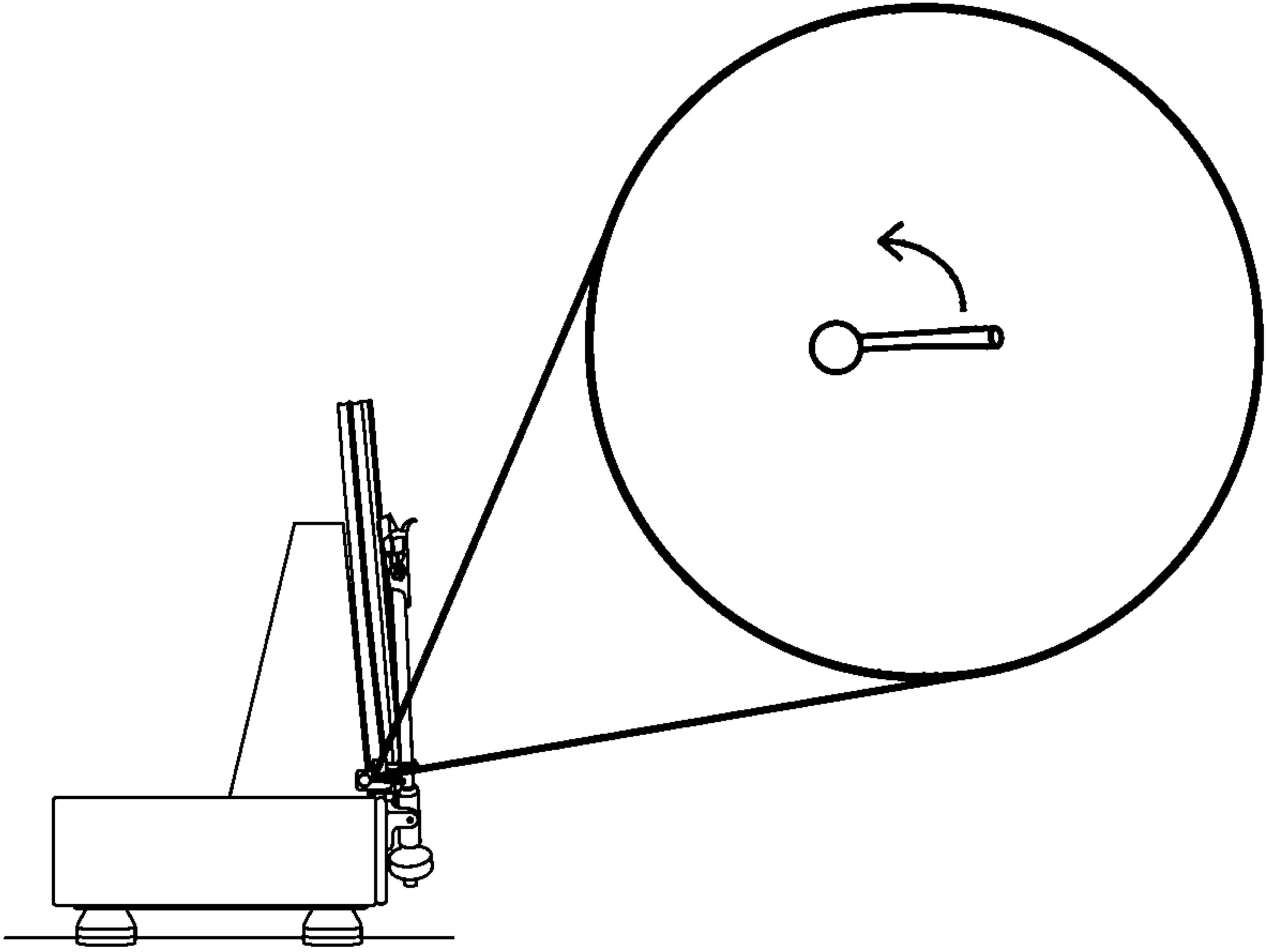


# HOW TO USE (CONT.)

6. Release the tonearm from its cradle and position it over the record to your desired track.



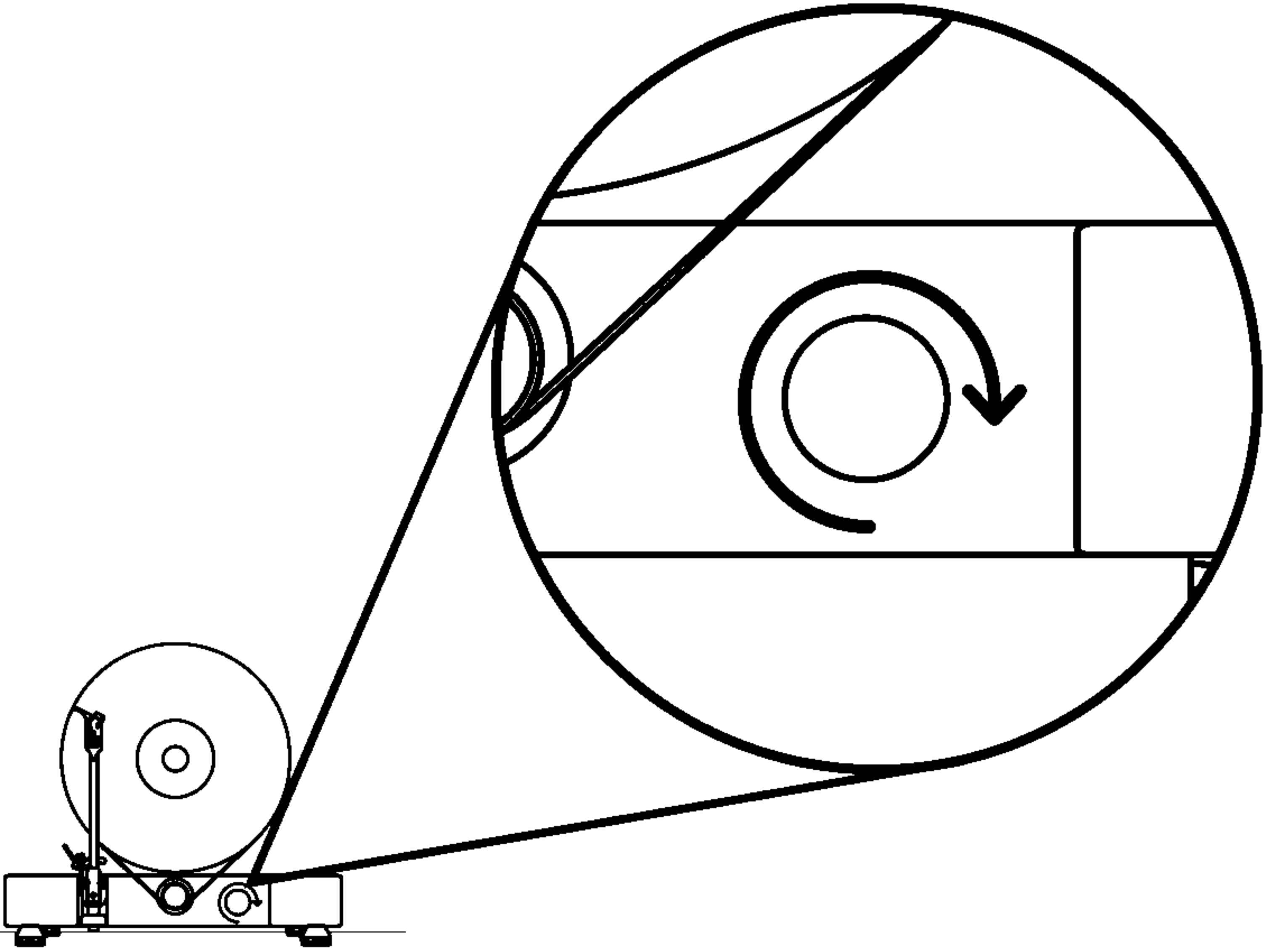
7. Drop the stylus by gently pushing the cueing arm away from you.



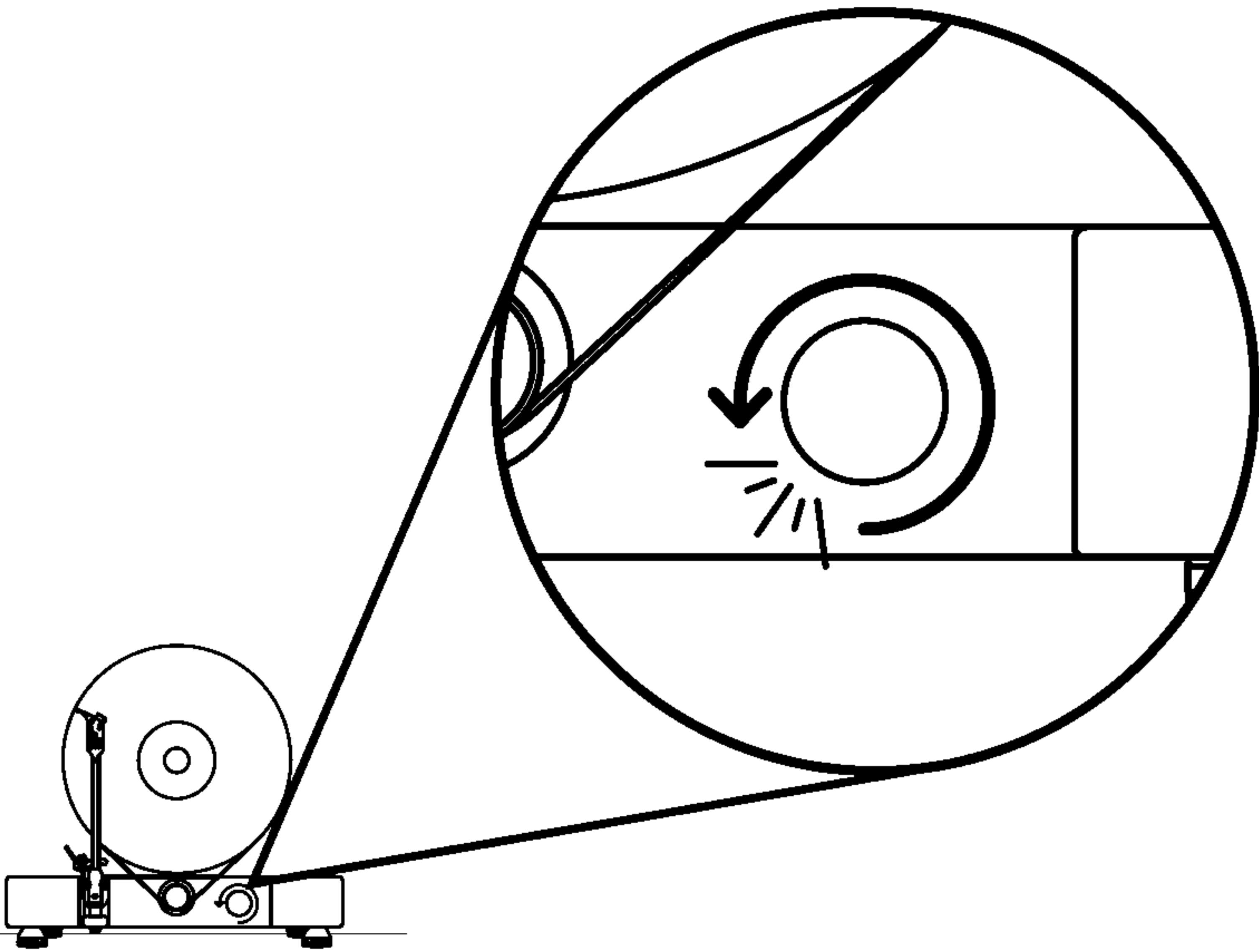
# HOW TO USE (CONT.)

8. Use the volume knob to adjust to your desired volume.

**NOTE:** Turning the volume knob clockwise increases volume, while turning counter-clockwise decreases volume.



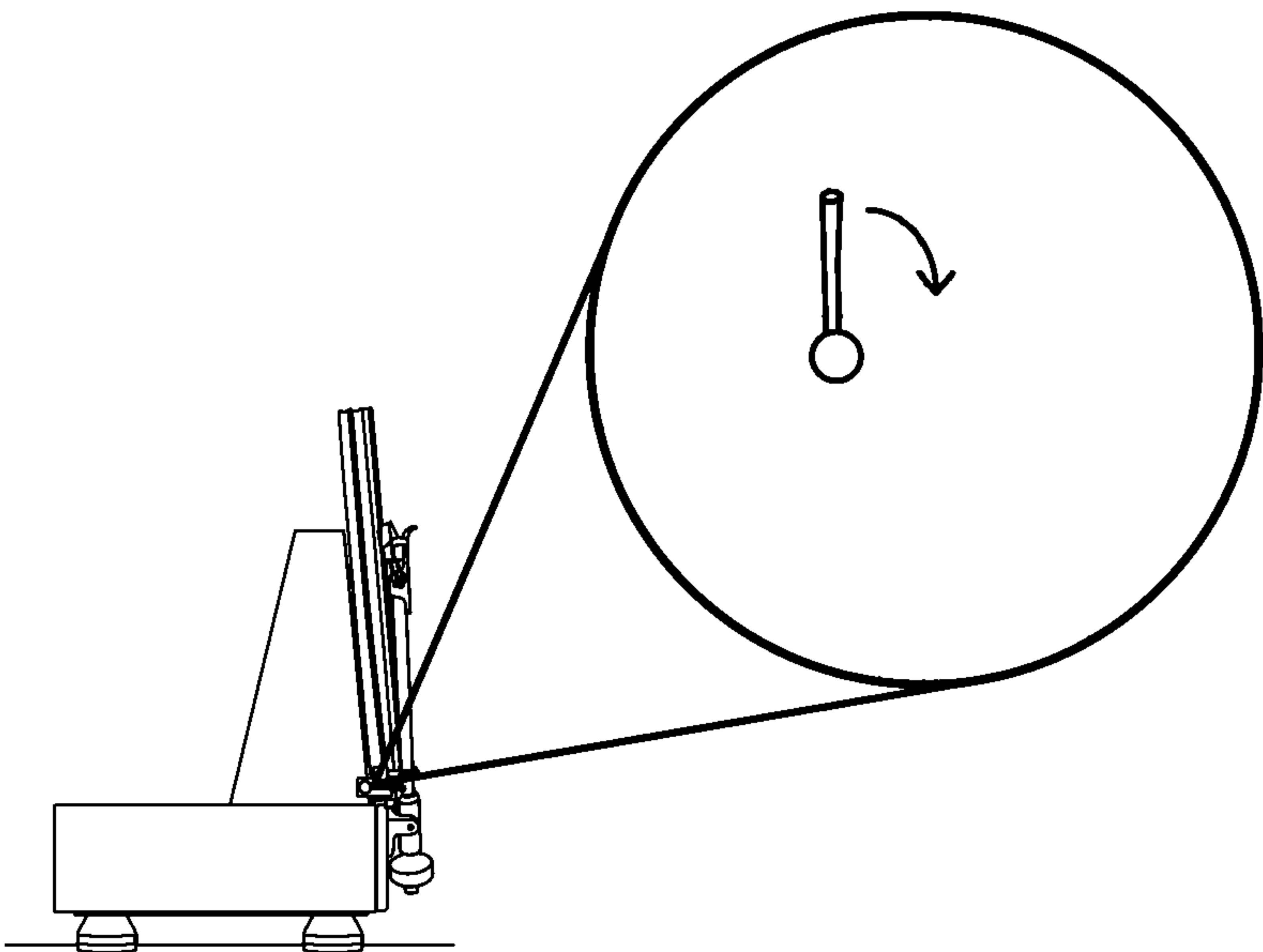
9. To power off the Floating Record, turn the volume knob counter-clockwise until it clicks.





# HOW TO USE (CONT.)

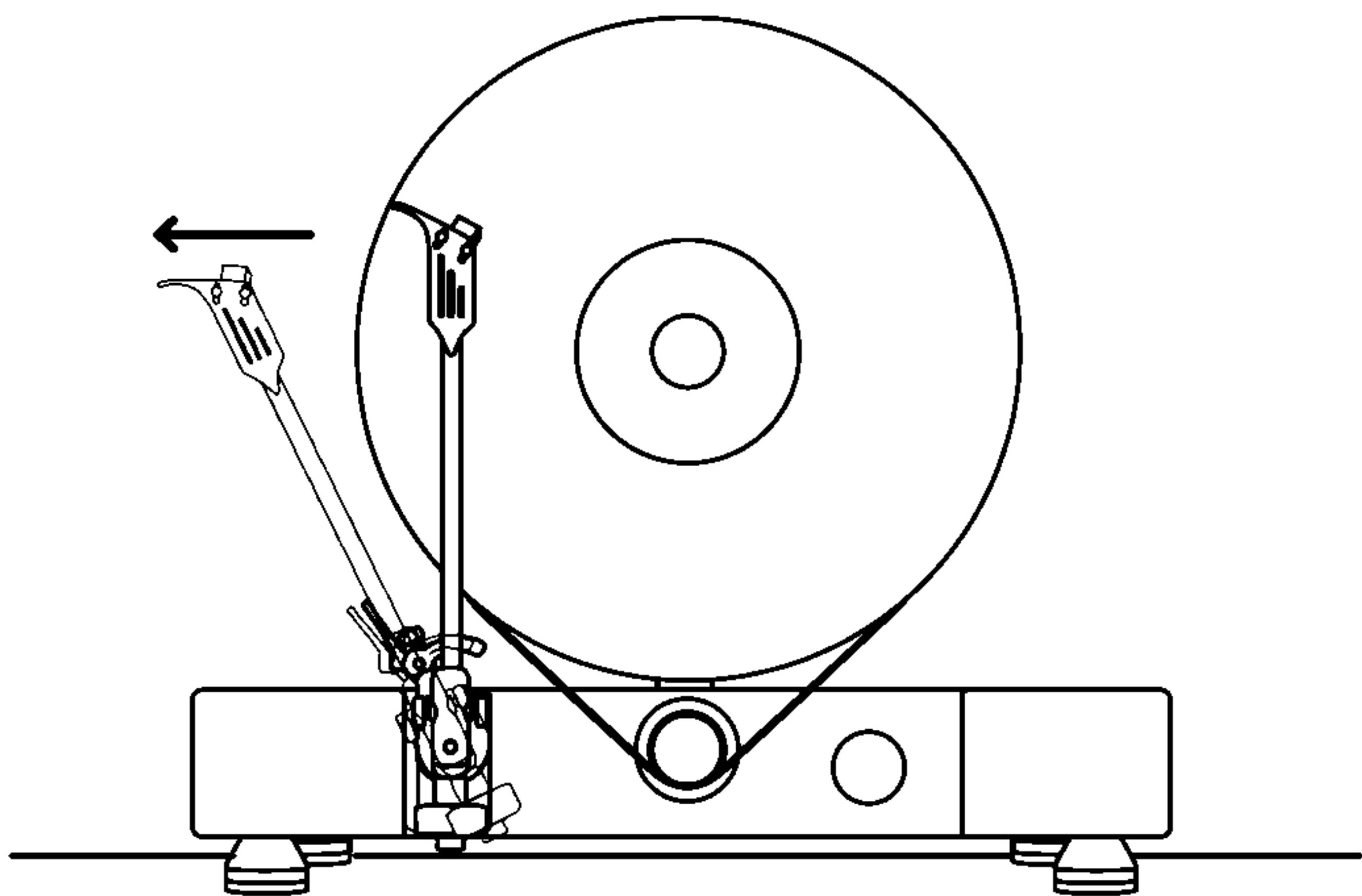
- 10.** Lift the stylus off of the record by pulling the cueing arm toward you.



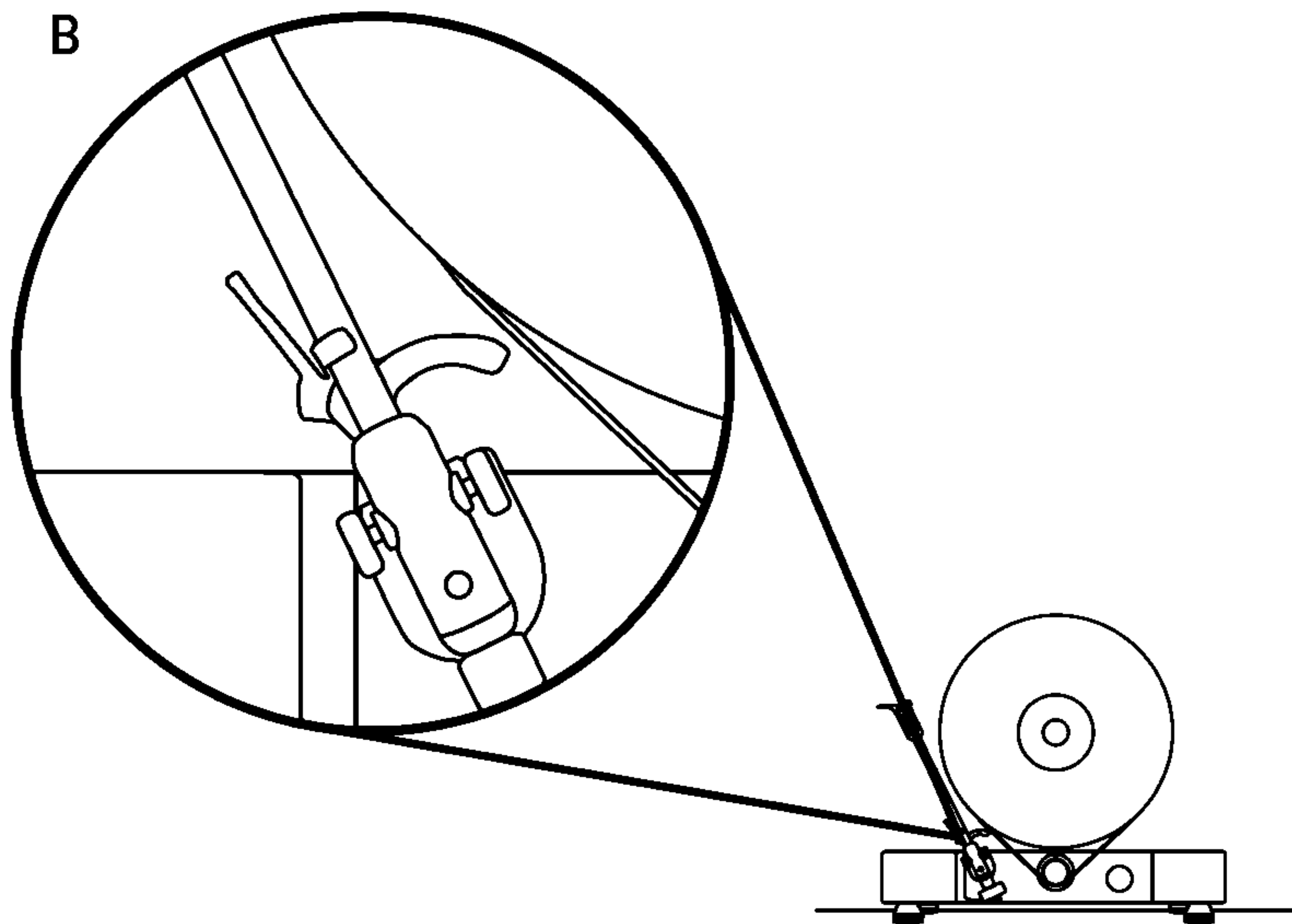
**11.** Be sure to place the tonearm in the cradle between uses.

**NOTE:** Keep the stylus protected by putting the stylus cover on between uses.

A



B



# HOW TO USE EXTERNAL SPEAKERS

**1.** First, ensure that you have a stereo receiver with RCA inputs.

**NOTE:** RCA cables are not included.

**2.** Connect RCA cables from your stereo receiver into the RCA outputs on the Floating Record.

**3.** The onboard speakers on the Floating Record will still be active, even while connected to an external speaker system. You can mute the onboard speakers by pressing the “Mute” button on the back of the base.

**4.** When using external speakers, the volume must be controlled via the external system, not the onboard volume knob.

# MAINTENANCE

Maintain your Floating Record by regularly dusting it with a clean, dry, microfiber cloth. Be sure to turn off your Floating Record and protect the stylus using the provided plastic stylus cover when not in use. We recommend to clean your records regularly using specialized record-cleaning equipment.

# DETAILED SPECIFICATIONS

- Walnut or Maple Veneer Wood Base
- Super-refined MDF with miter-folded box construction
- Fully-adjustable Carbon-Fiber Tone-Arm w/ dynamically set tracking force
- AT95E Audio-Technica Dual Magnet Cartridge with Elliptical Diamond Stylus
- 2" Neodymium Full-Range Stereo Speakers
- Built in Hi-Fi phono stage with RIAA equalization curve
- Onboard 2x20W Digital Stereo Amplifier
- Manual Silicone Belt-Drive System (33 ⅓ or 45 RPM)
- AC Stepper motor with high precision, Crystal locked, motor control circuit
- Low resonance, high mass, Acrylic Plinth and Platter
- RCA Line Level Out fed from Hi-Fi phono pre-amp
- Built in Hi-Fi headphone amp
- Universal AC to 12VDC 5A power supply compatible with US standard 60 Hz, 110/120 VAC or European standard 50 Hz, 220/240 VAC (region-specific cables are included for operation in countries around the world)
- 17.5" Wide x 10.25" Deep x 16" Tall
- 13.5 lbs





The lightning flash with arrowhead symbol within the equilateral triangle is intended to alert the user to the presence of uninsulated “dangerous voltage” within the product’s enclosure that may be of sufficient magnitude to constitute a risk of electric shock.



The exclamation point within the equilateral triangle is intended to alert the user to the presence of important operation and maintenance (servicing) instructions in the literature accompanying this appliance.

## SAFETY INSTRUCTIONS

1. Read these instructions.
2. Keep these instructions.
3. Heed all warnings.
4. Follow all instructions.



5. **WARNING:** To reduce the risk of fire or electric shock, do not expose this apparatus to rain or moisture. The apparatus shall not be exposed to dripping or splashing and no objects filled with liquids, such as vases or bowls, shall be placed on the apparatus. Do not use this apparatus near water.
6. The appliance should be cleaned only as recommended by the manufacturer. Clean only with a dry cloth.
7. Do not block any of the ventilation openings. Install in accordance with the manufacturer’s instructions.
8. Do not install near any heat sources such as radiators, heat registers, stoves, or other apparatus (including amplifiers) that produce heat.
9. Protect the power cord from being walked on or pinched particularly at plugs, convenience receptacles, and the point where they exit from the apparatus.
10. Care should be taken so that objects do not fall and liquids are not spilled into the enclosure through openings.
11. Only use attachments/accessories

specified by the manufacturer. Do not use attachments not recommended by the product manufacturer as they may cause hazards.

12. Use only with a cart, stand, tripod, bracket or table specified by the manufacturer, or sold with the apparatus. When a cart is used, use caution when moving the cart/apparatus combination to avoid injury from tip-over.

13. Unplug this apparatus during lightning storms or when unused for long periods of time.

14. The user should not attempt any service to the appliance beyond that described in the operating instructions. All other servicing should be referred to qualified service personnel.

Servicing is required when the apparatus has been damaged in any way, such as power-supply cord or plug is damaged, liquid has been spilled or objects have fallen into the apparatus, the apparatus has been exposed to rain or moisture, does not operate normally, or has been dropped.

15. Where a mains plug is used as the disconnect device, the disconnect device shall remain readily operable.

16. Please keep the unit in a good ventilation environment. Slots and openings in the cabinet are provided for ventilation and to ensure reliable operation of the product and to protect it from overheating, and these openings must not be blocked or covered. The openings should never be blocked by placing the product on a bed, sofa, rug, or other similar surface. This product should not be placed in a built-in installation such as a bookcase or rack unless proper ventilation is the manufacturer’s instructions have been adhered to.

17. Apparatus shall not be exposed to dripping or splashing and no objects filled with liquids, such as vases, shall be placed on apparatus.

18. Replacement Parts – When replacement parts are required, be sure the service technician has used replacement parts specified by the manufacturer or have the same characteristics as the original part. Unauthorized substitutions may result in fire, electric shock, or other hazards.

19. Upon completion of any service or repairs to this product, ask the service technician to perform safety checks to determine that the product is in proper operating condition.

20. This product should be operated only from the type of power source indicated on the rating label. If you are not sure of the type of power supply to your home,

consult your product dealer or local power company. For products intended to operate from battery power, or other sources, refer the operating instructions. 21. This product is not intended to be mounted to a wall or ceiling.



**CAUTION:** To reduce the risk of electric shock, do not remove any cover. No user-serviceable parts inside. Refer servicing to qualified service personnel only.



**CAUTION:** To reduce the risk of electric shock, do not use this polarized plug with an extension cord, receptacle or other outlet unless the blades can be fully inserted to prevent blade exposure.

### WARRANTY

The manufacturer accepts no responsibility for damage caused by not adhering to these instructions for use and/or by transportation or storage of the unit without the original packaging. Modification or change to any part of the product by unauthorized persons releases the manufacturer from any liability over and above the lawful rights of the customer.

GRAMOVOX is a Registered Trademark of Gramovox LLC  
This guide was produced by Gramovox LLC  
Copyright © 2015. All rights reserved.

The information was correct at the time of going to press. The manufacturer reserves the right to make changes to the technical specification without prior notice as deemed necessary to uphold the ongoing process of technical development.

This device complies with Part 15 of the FCC Rules Operation is Subject to the following two conditions (1) This device may not Cause harmful interference, and (2) this device must accept any Interference received.

Including interference that may cause Undesired operation.  
This Class B digital apparatus meets all requirements of the Canadian Interference-Causing Equipment Regulations.

Unauthorized modification of this unit may cause it to no longer comply with FCC regulations and void your authority to use this device.

Cet appareil numérique de la classe B respecte toutes les exigences du Règlement matériel brouilleur du Canada.

**NOTE:** This equipment has been tested and found to comply with the limits for a Class B digital device, pursuant to part 15 of the FCC Rules. These limits are designed to provide reasonable protection against harmful interference in a residential installation. This equipment generates, uses and can radiate radio frequency energy and, if not installed and used in accordance with the instructions, may cause harmful interference to radio communications. However, there is no guarantee that interference will not occur in a particular installation. If this equipment does cause harmful interference to radio or television reception, which can be determined by turning the equipment off and on, the user is encouraged to try to correct the interference by one or more of the following measures:

- Reorient or relocate the receiving antenna.
- Increase the separation between the equipment and receiver.
- Connect the equipment into an outlet on a circuit different from that to which the receiver is connected.
- Consult the dealer or an experienced radio/TV technician for help.

(c) The provisions of paragraphs (a) and (b) of this section do not apply to digital devices exempted from the technical standards under the provisions of §15.103.  
(d) For systems incorporating several digital devices, the statement shown in paragraph (a) or (b) of this section needs to be contained only in the instruction manual for the main control unit.

**NOTE:** Changes or modifications made to this device not expressly approved by Gramovox LLC could void the user's authority to operate the equipment.



# CONTACT INFO

[support@gramovox.com](mailto:support@gramovox.com)

844-472-6686

M-F 9am - 5pm CST

GRAMOVVOX.COM