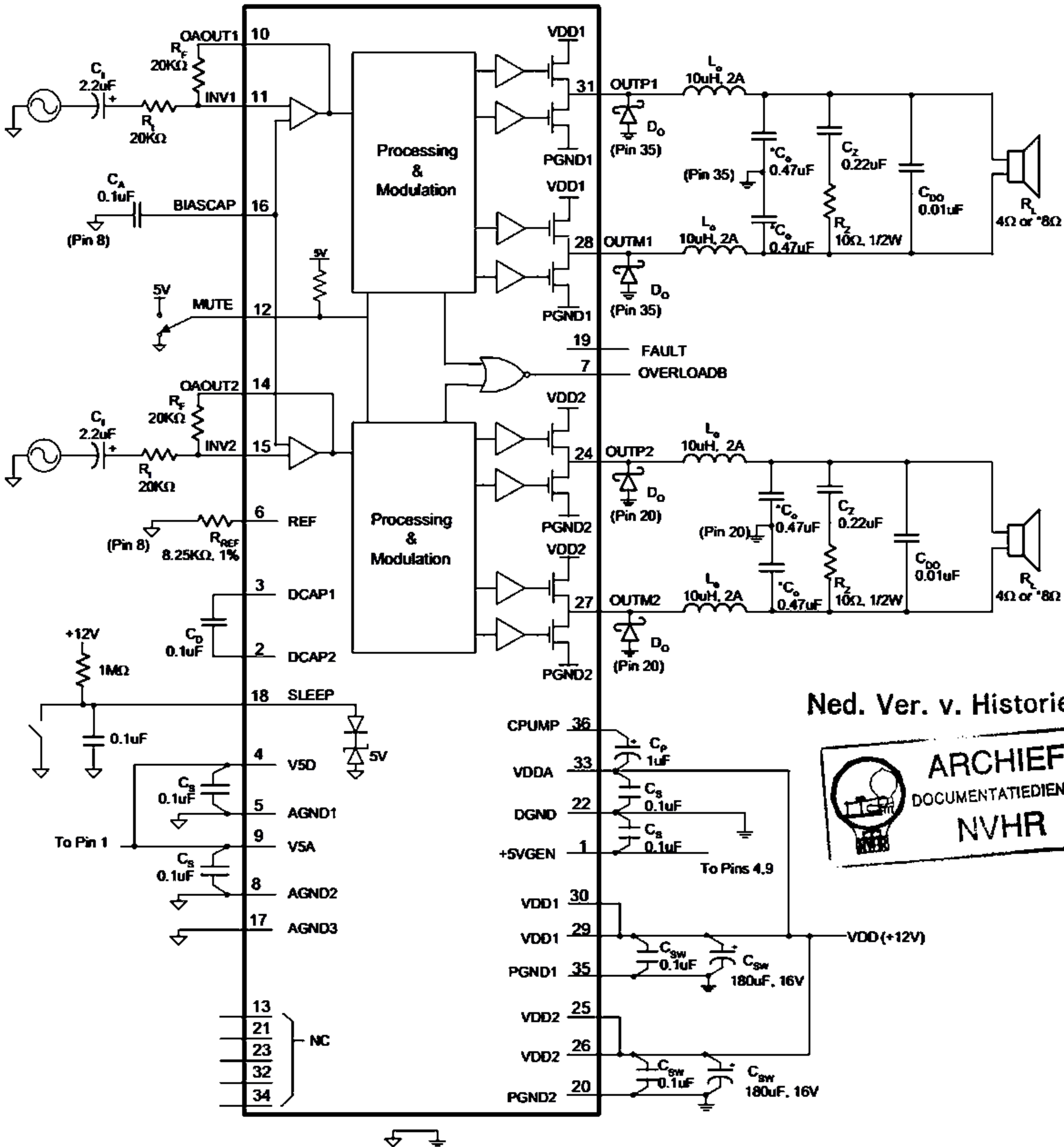


# TA2024C



Ned. Ver. v. Historie

