

ECC 85 OA 910 No.1 EBF 89 B 016 ECH 81 B 017 EBF 89 B 018 EBF 89 B 021 2-DA 616

AM-ZF - 460 kHz  
FM-ZF - 10.7 MHz

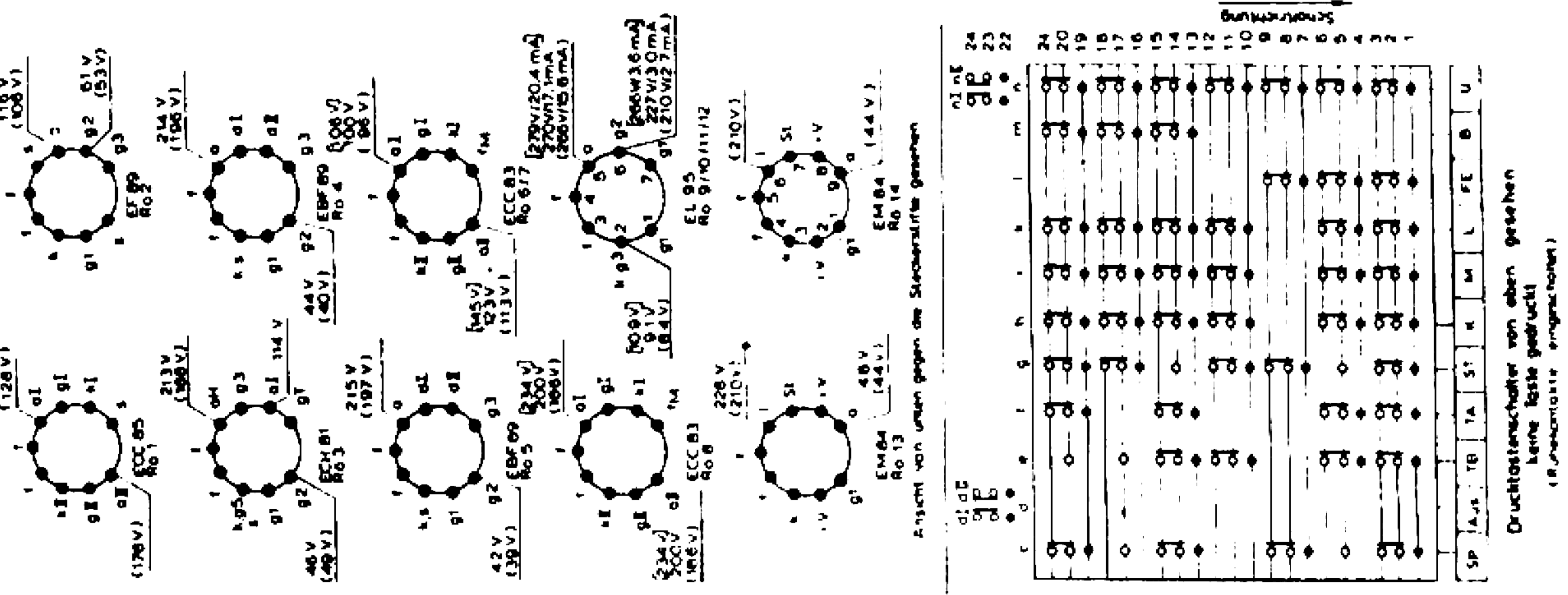
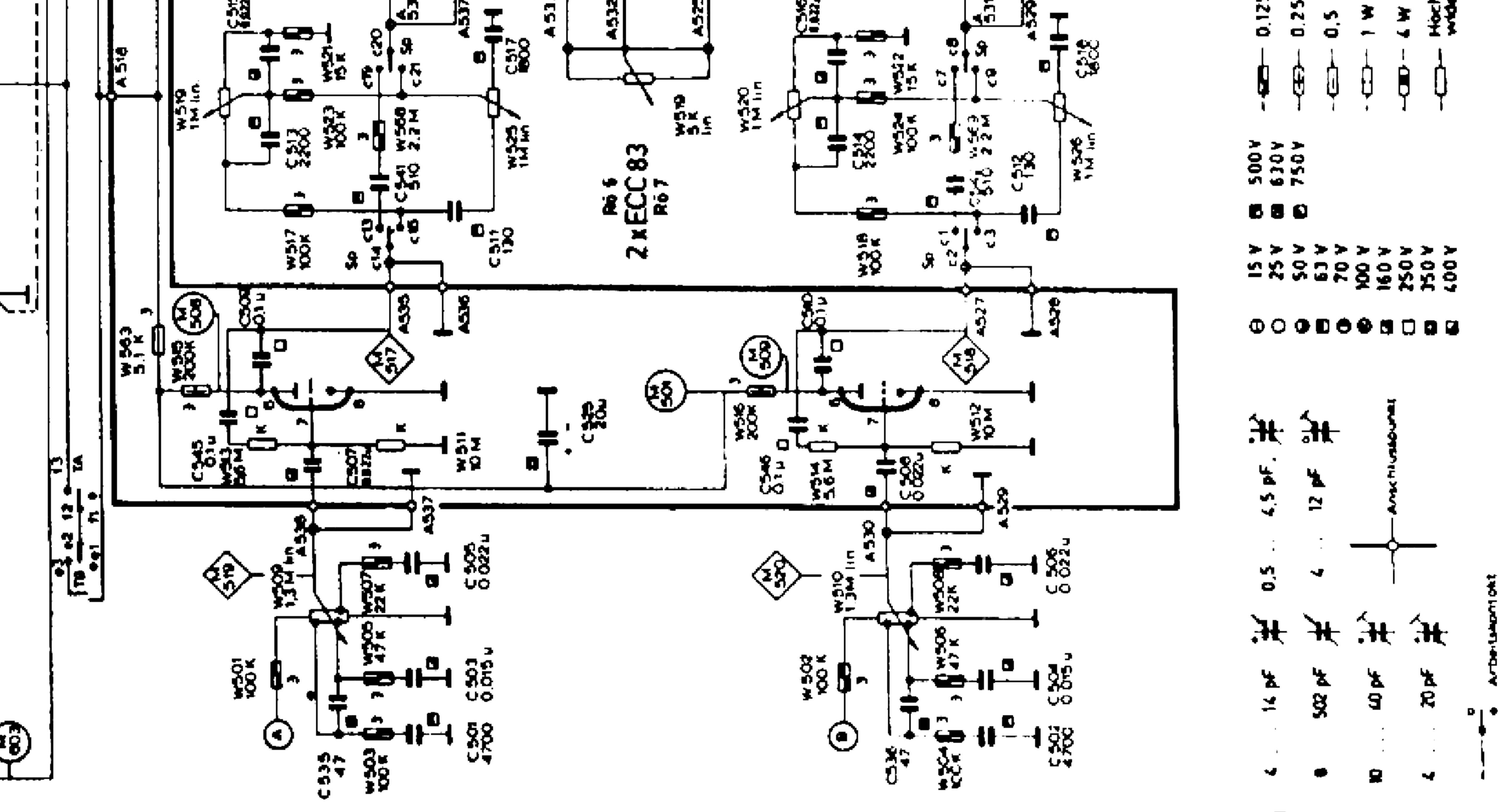
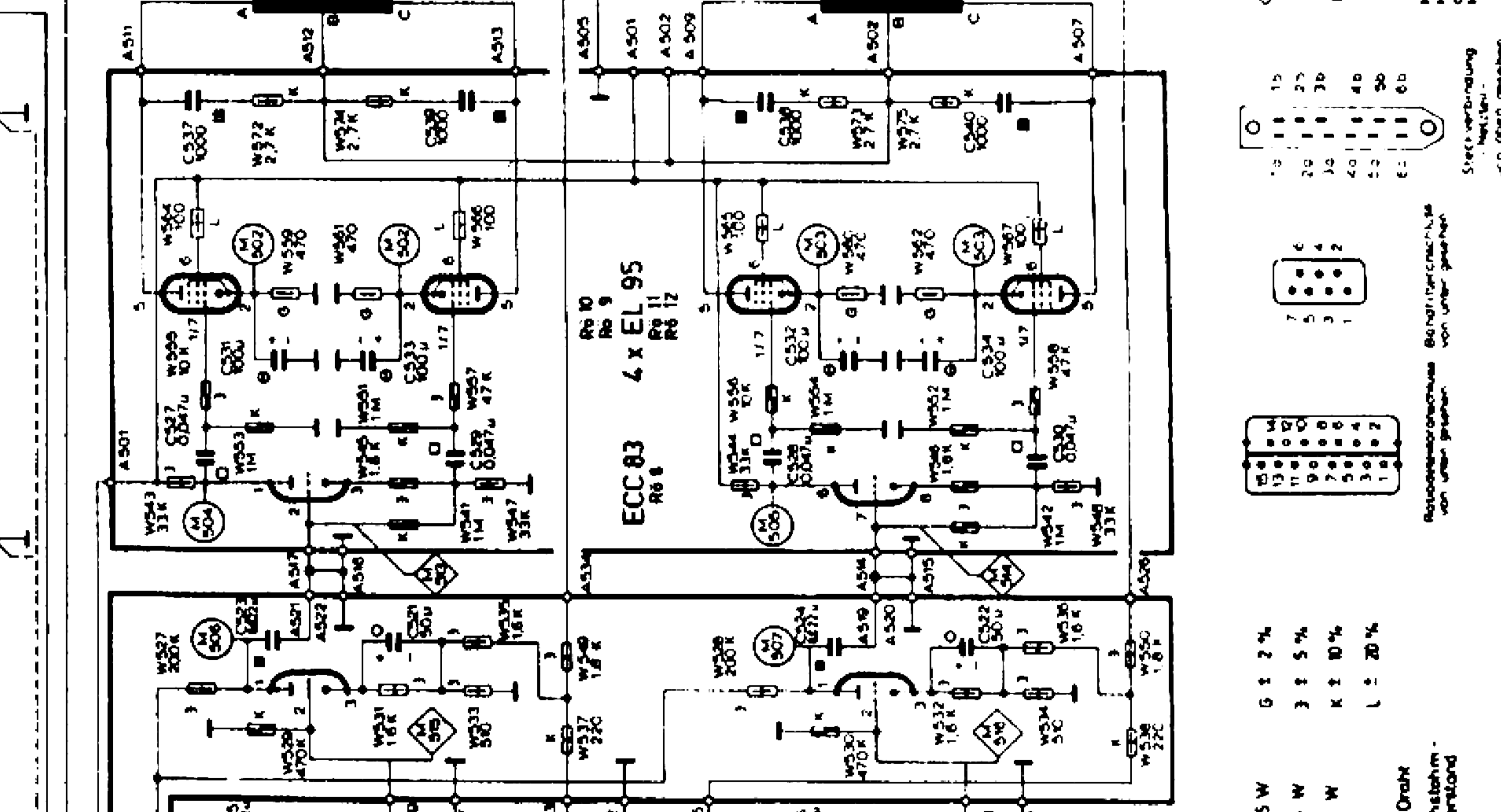
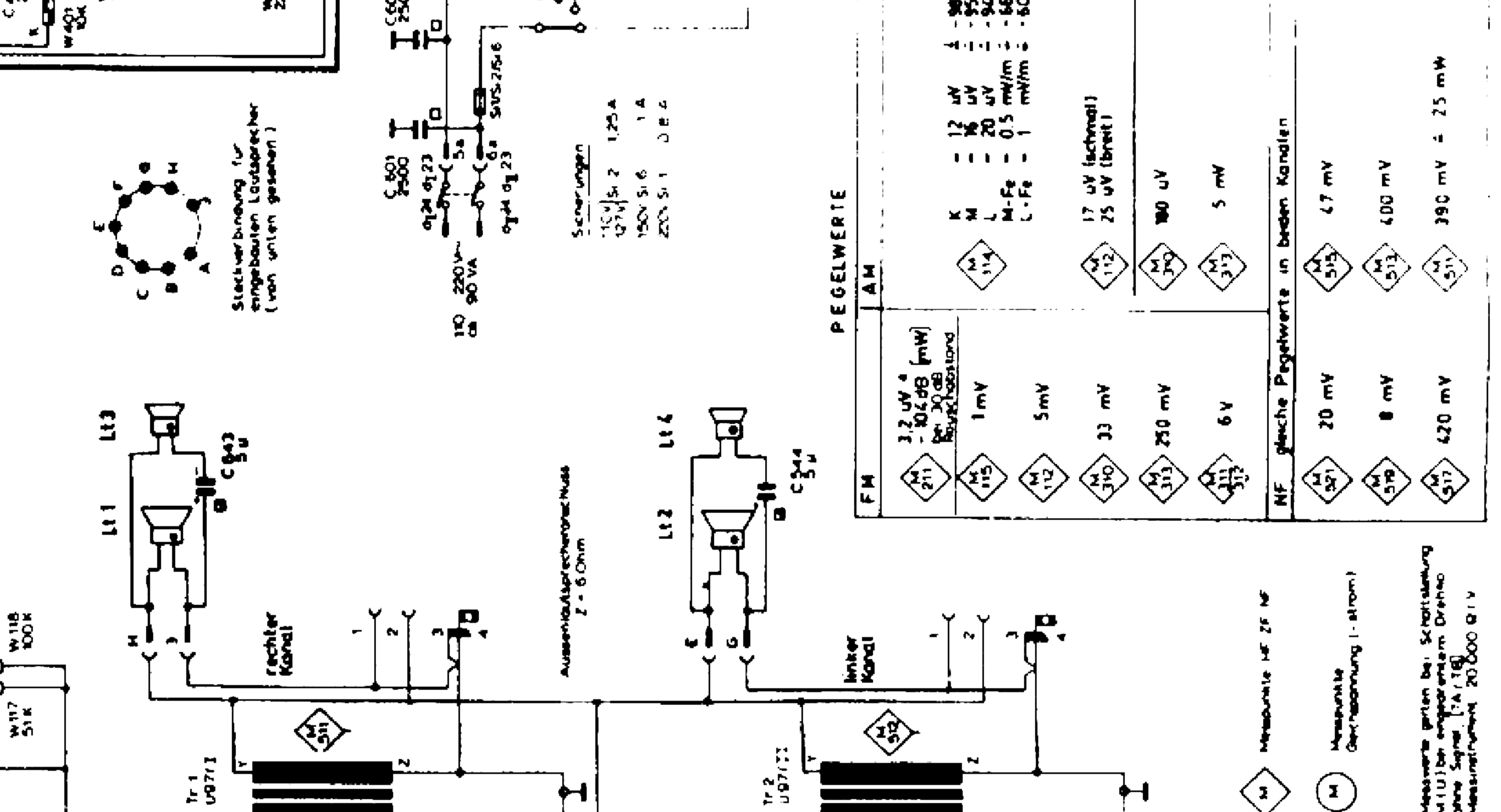
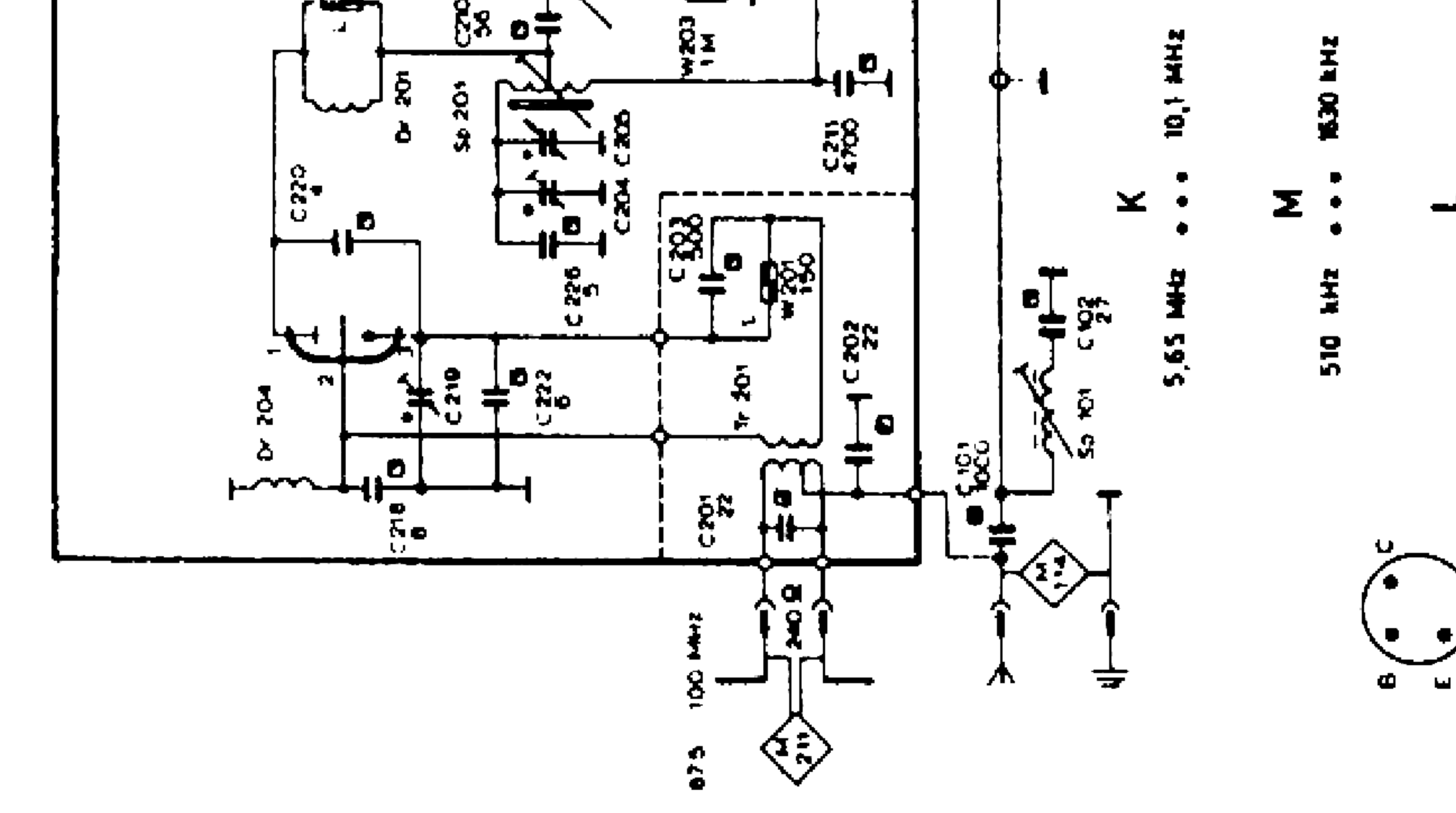
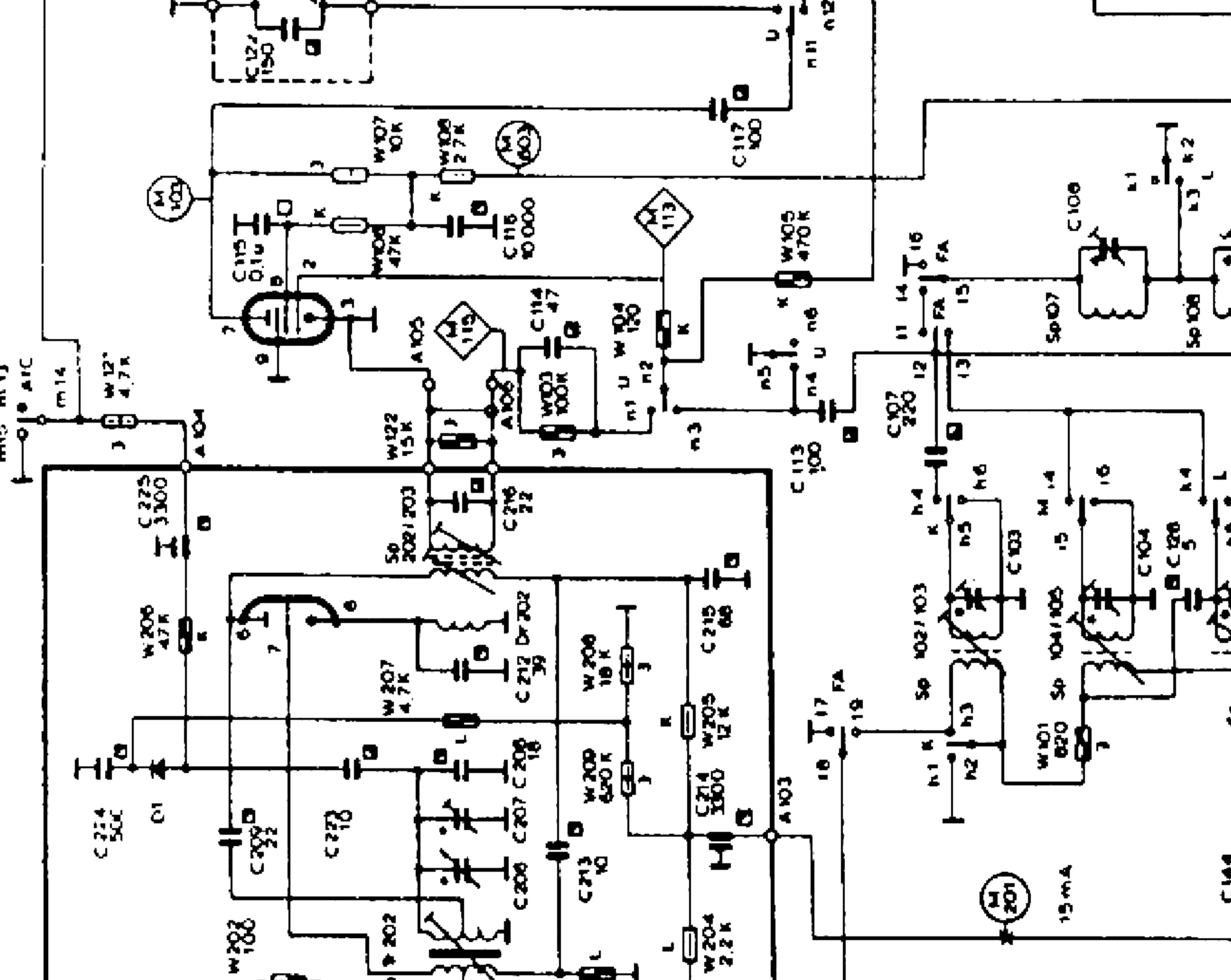
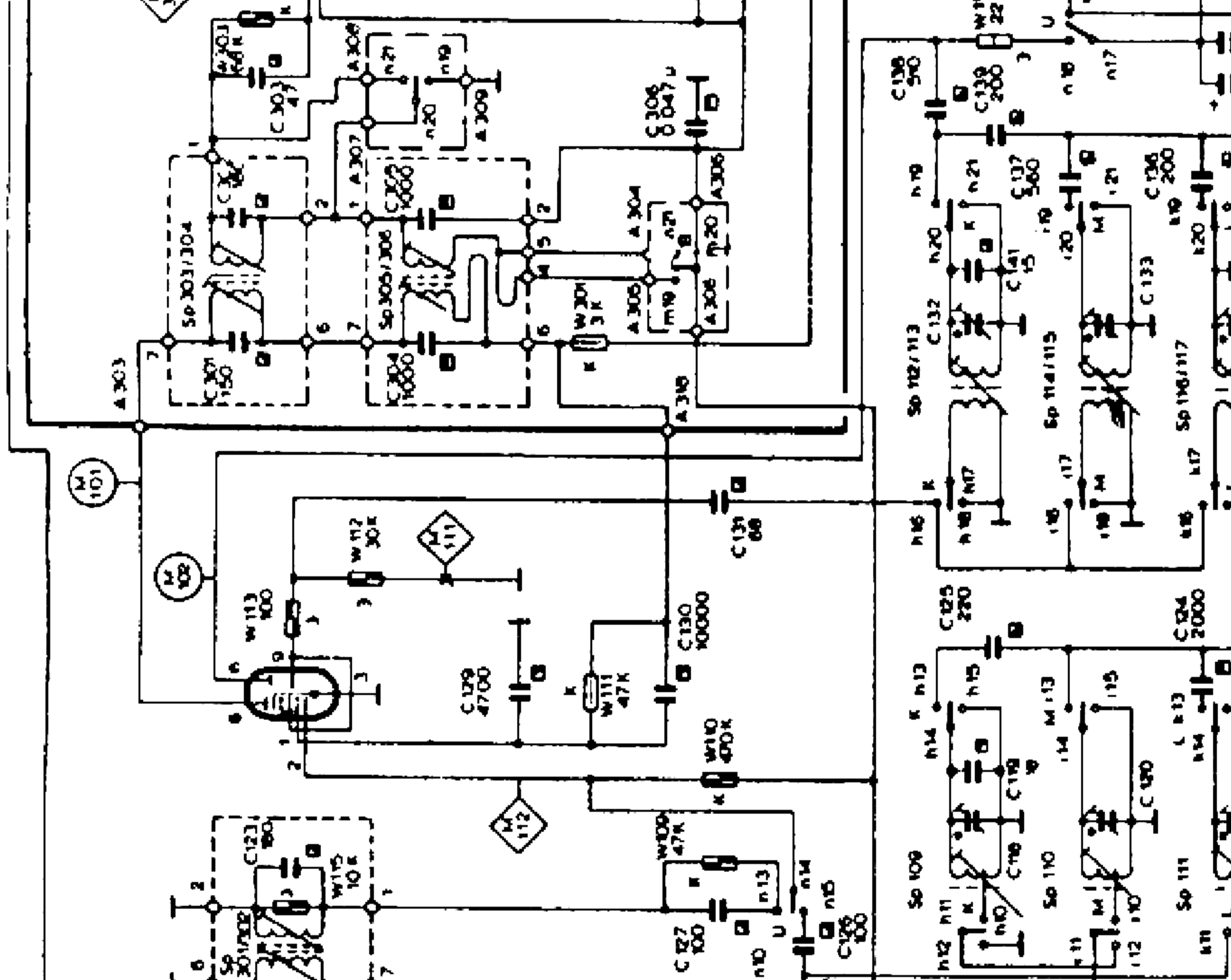
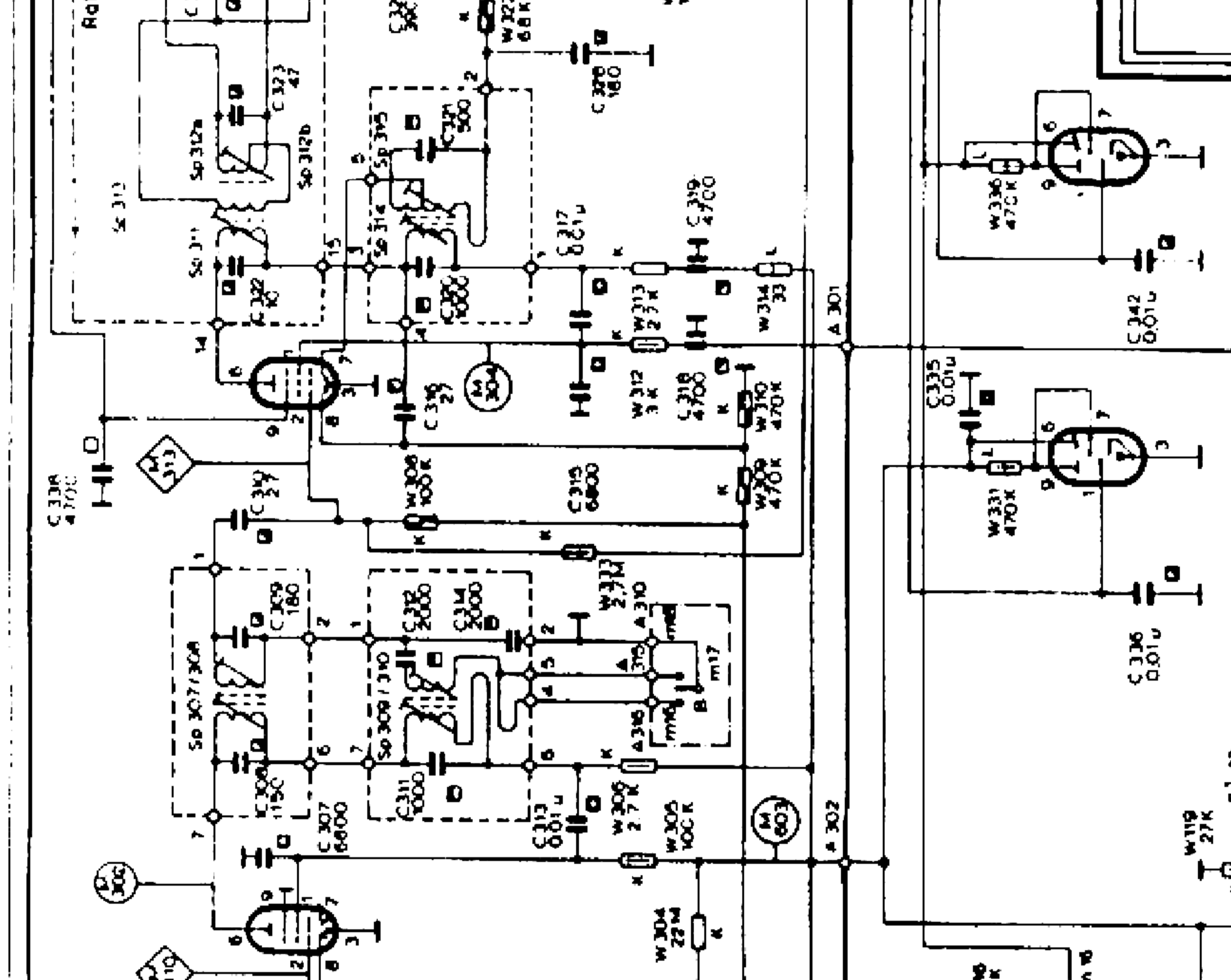
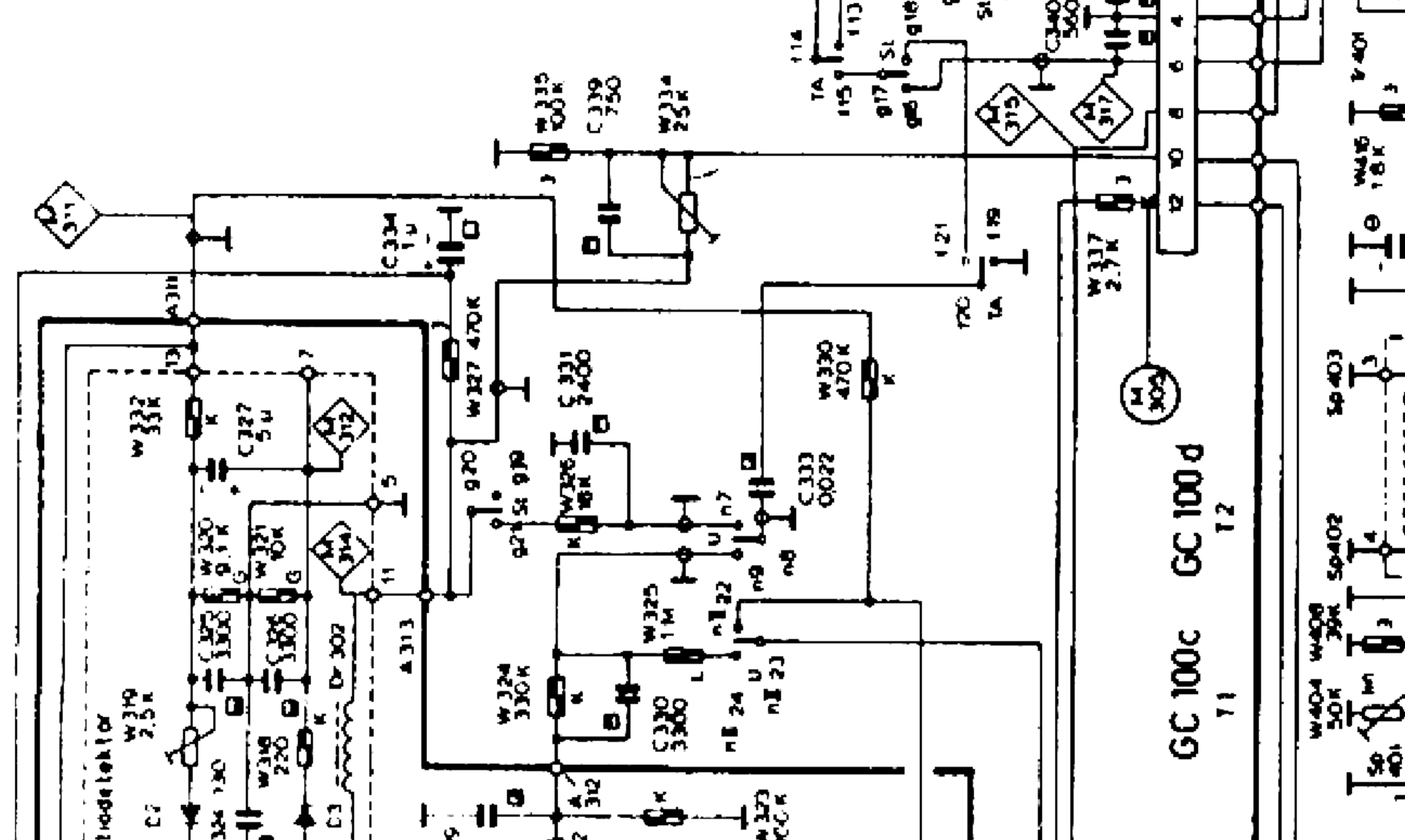
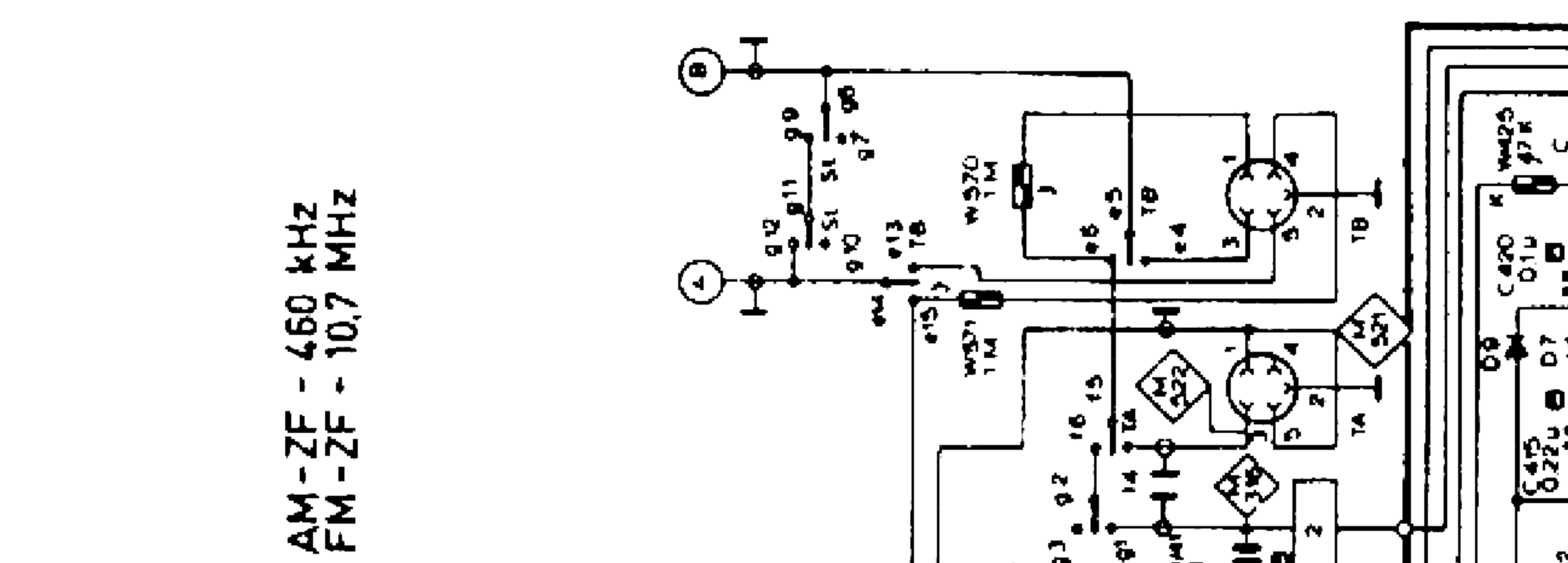
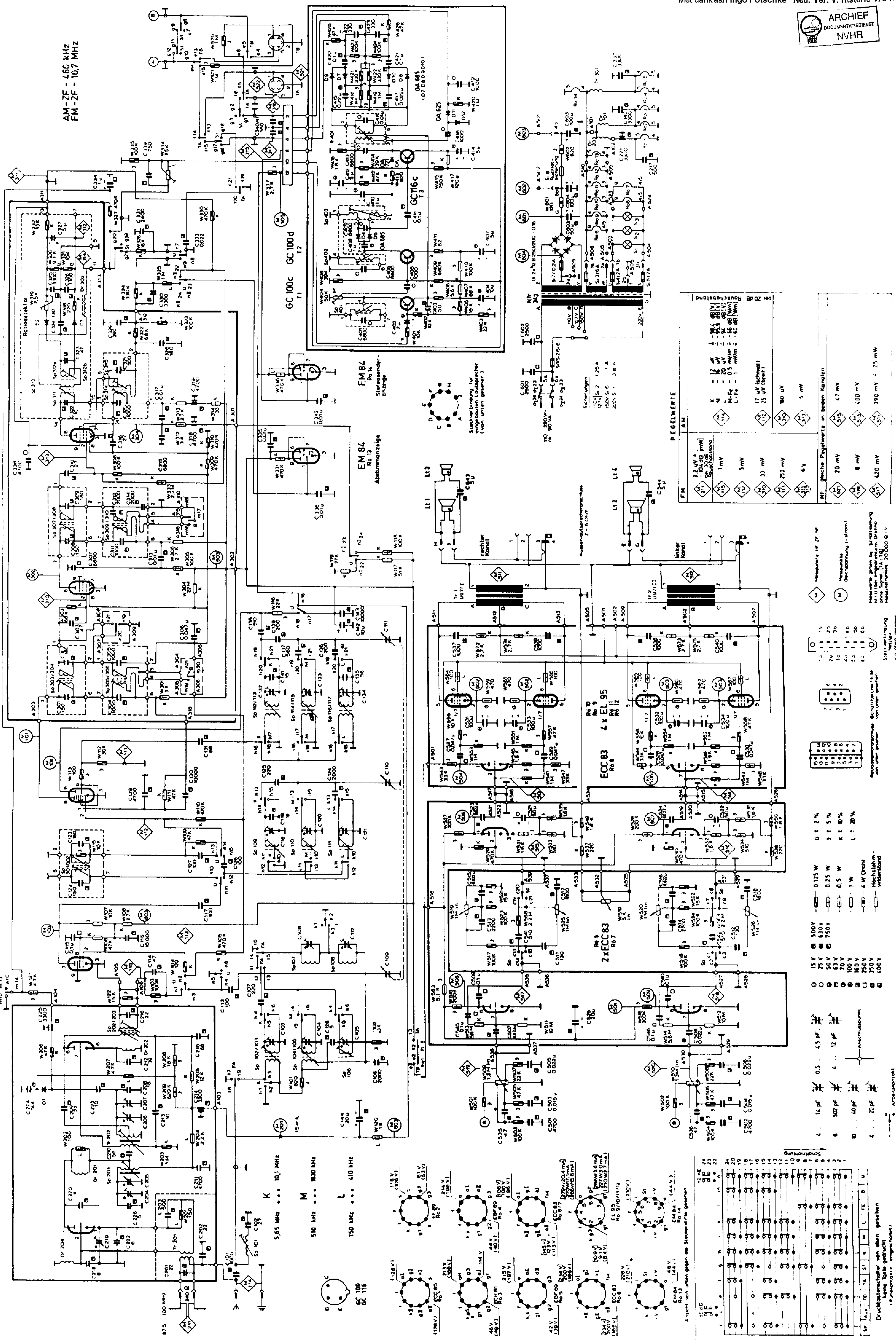


Table with 2 columns: AM and FM. Rows include signal strength (K, L, M), frequency (17.5V, 25V), and other parameters. Includes a note: 'Messwerte in beiden Kanälen'.

Table with 2 columns: AM and FM. Rows include signal strength (K, L, M), frequency (17.5V, 25V), and other parameters. Includes a note: 'Messwerte in beiden Kanälen'.

Table with 2 columns: AM and FM. Rows include signal strength (K, L, M), frequency (17.5V, 25V), and other parameters. Includes a note: 'Messwerte in beiden Kanälen'.

Table with 2 columns: AM and FM. Rows include signal strength (K, L, M), frequency (17.5V, 25V), and other parameters. Includes a note: 'Messwerte in beiden Kanälen'.

Table with 2 columns: AM and FM. Rows include signal strength (K, L, M), frequency (17.5V, 25V), and other parameters. Includes a note: 'Messwerte in beiden Kanälen'.

Table with 2 columns: AM and FM. Rows include signal strength (K, L, M), frequency (17.5V, 25V), and other parameters. Includes a note: 'Messwerte in beiden Kanälen'.

Table with 2 columns: AM and FM. Rows include signal strength (K, L, M), frequency (17.5V, 25V), and other parameters. Includes a note: 'Messwerte in beiden Kanälen'.

Vertical text on the right edge of the page, possibly a page number or reference code.