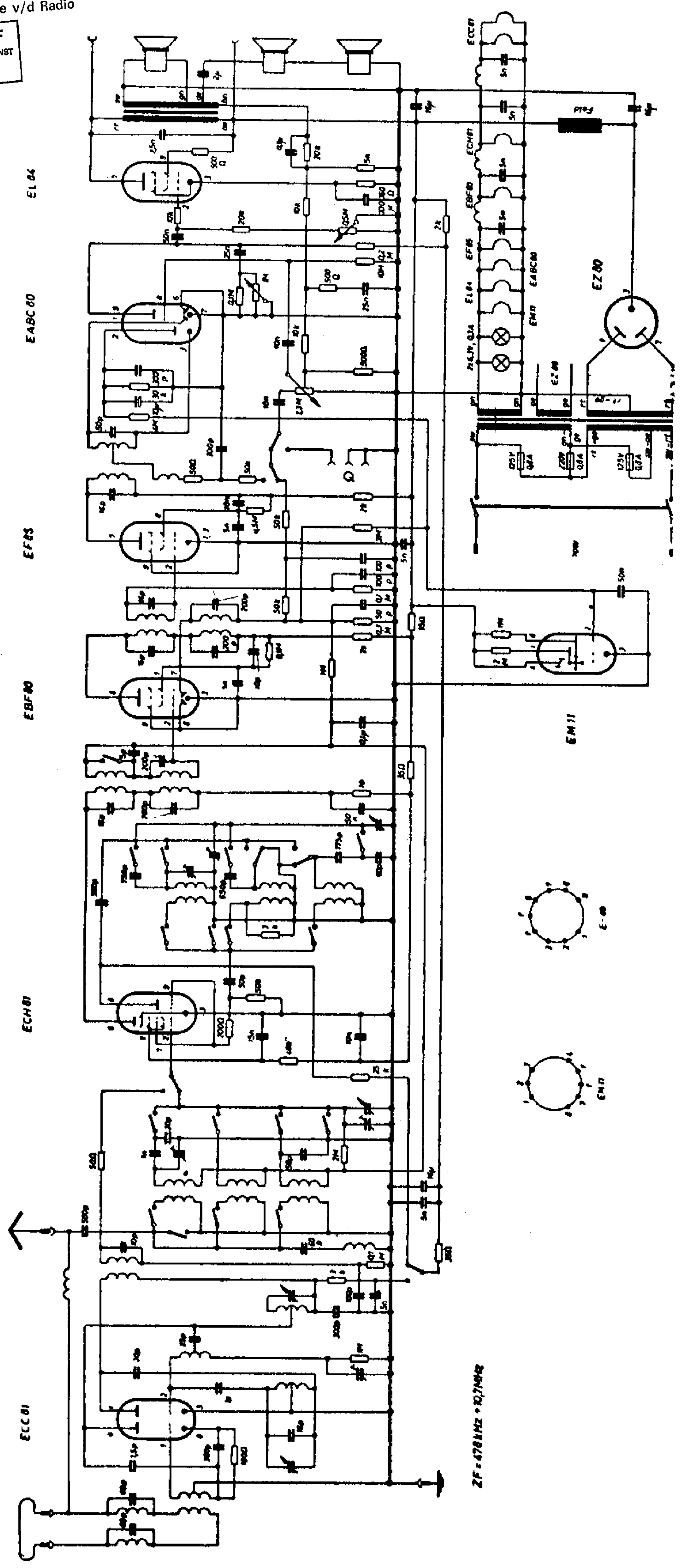
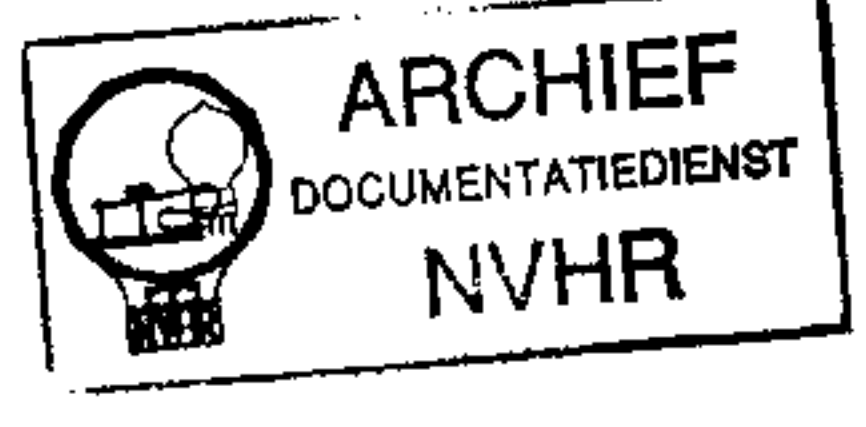


# Elektro-Akustik Hartmannsdorf Athene II

Ned. Ver. v. Historie v/d Radio



ZF = 470 kHz ± 10,7 MHz

