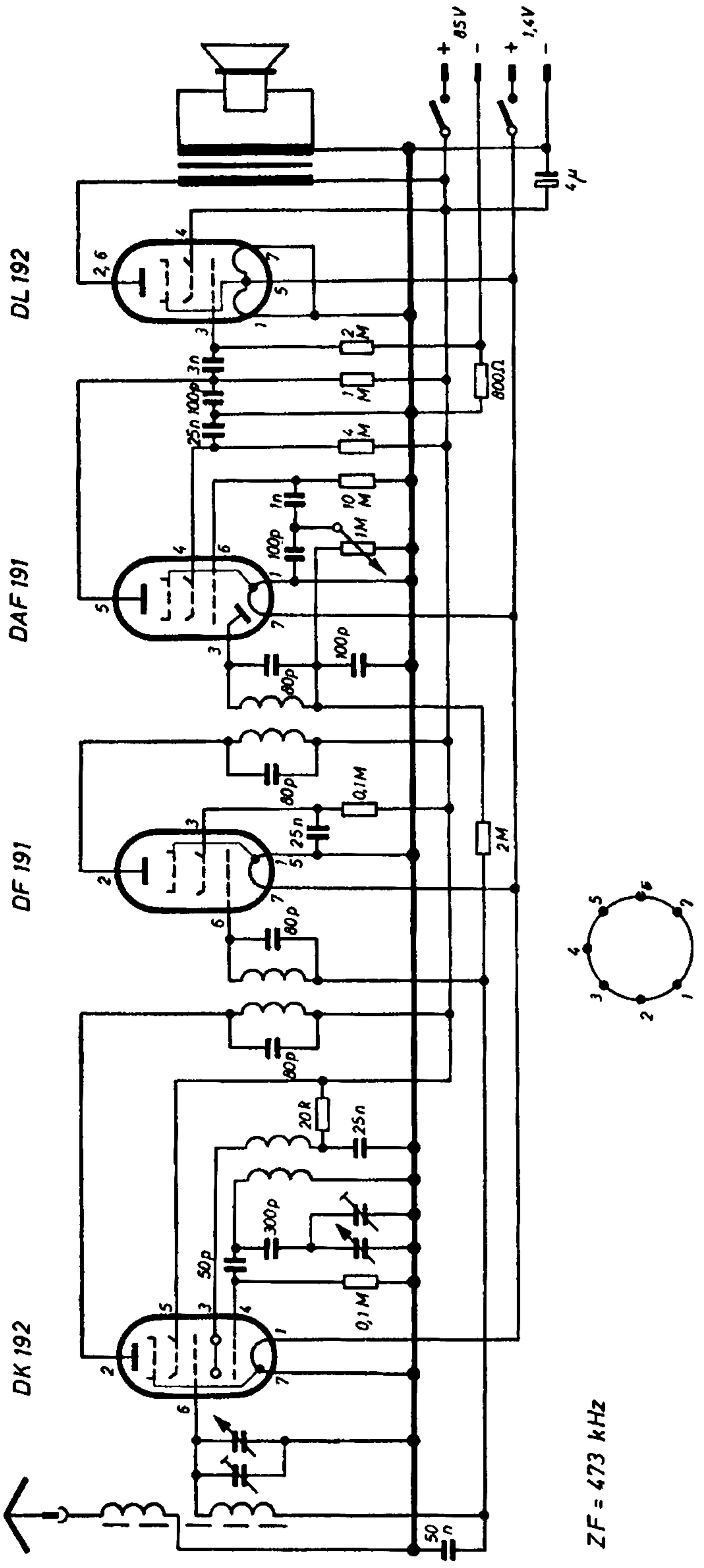


ZF = 473 kHz



ZF = 473 kHz

