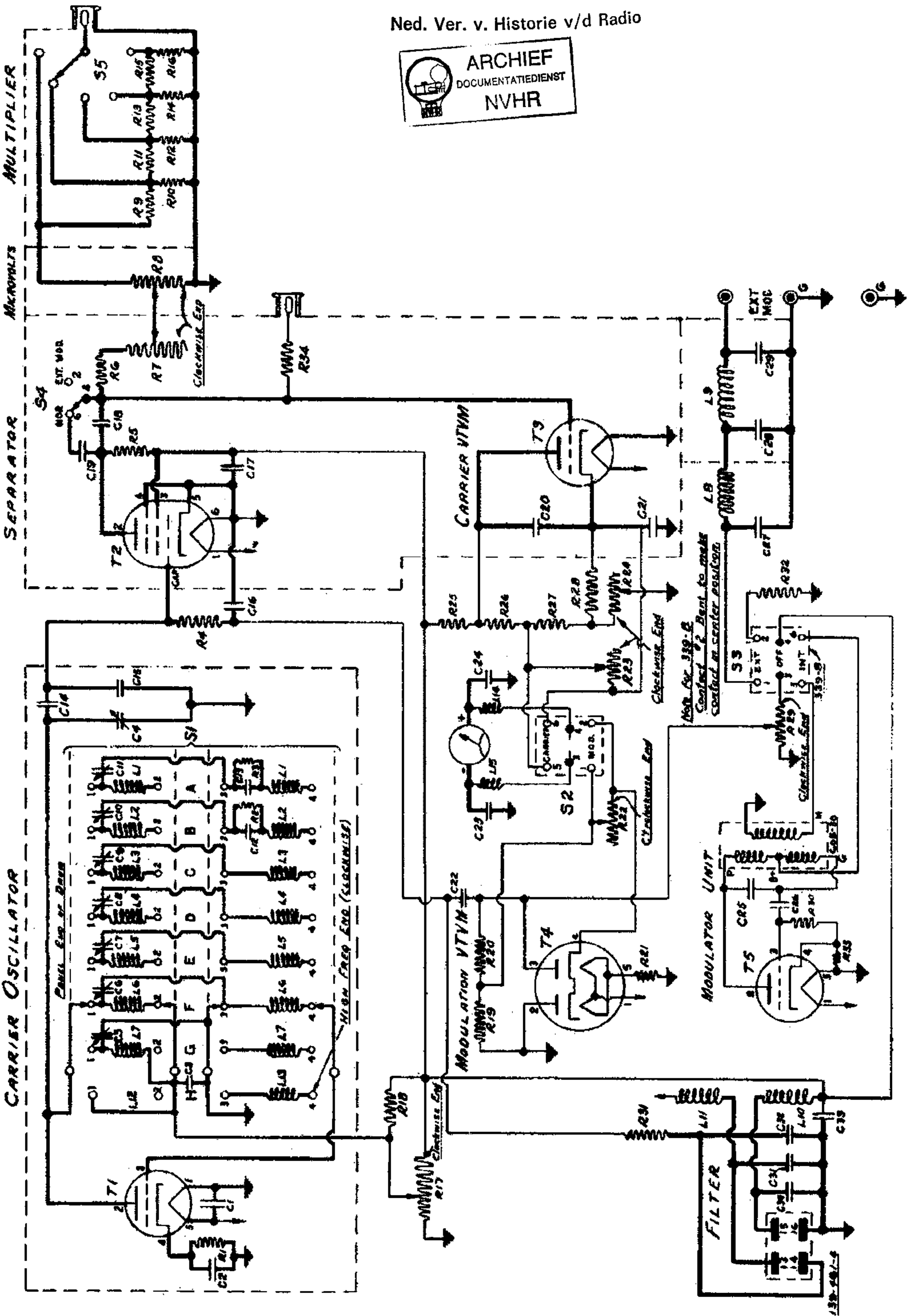
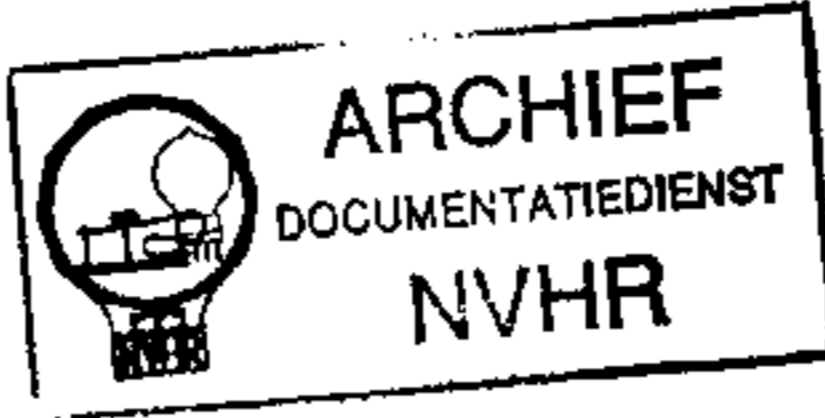


GENERAL RADIO COMPANY

Ned. Ver. v. Historie v/d Radio



GENERAL RADIO COMPANY

PARTS LIST

RESISTORS

R-1 = 500 Ω	R-18 = 20,000 Ω
R-2 = 0.1 M Ω	R-19 = 15,000 Ω
R-3 = 0.2 M Ω	R-20 = 15,000 Ω
R-4 = 50,000 Ω	R-21 = 8 Ω
R-5 = 2000 Ω	R-22 = 10,000 Ω
R-6 = 450 Ω	R-23 = 2500 Ω
R-7 = 50 Ω	R-24 = 1000 Ω
R-8 = 95 Ω	R-25 = 0.1 M Ω
R-9 = 95 Ω	R-26 = 20,000 Ω
R-10 = 11.7 Ω	R-27 = 500 Ω
R-11 = 99 Ω	R-28 = 10,000 Ω
R-12 = 12.2 Ω	R-29 = 2500 Ω
R-13 = 99 Ω	R-30 = 2 M Ω
R-14 = 12.2 Ω	R-31 = 0.5 M Ω
R-15 = 99 Ω	R-32 = 50,000 Ω
R-16 = 11 Ω	R-33 = 750 Ω
R-17 = 10,000 Ω	R-34 = 500 Ω

CONDENSERS

C-1 = 0.02 μ f	C-18 = 0.0005 μ f
C-2 = 0.005 μ f	C-19 = 0.005 μ f
C-3 = 0.02 μ f	C-20 = 0.02 μ f
C-4 = 1400 μ f	C-21 = 0.02 μ f
C-5 = 10 μ f	C-22 = 1.0 μ f
C-6 = 70 μ f	C-23 = 0.00025 μ f
C-7 = 70 μ f	C-24 = 0.00025 μ f
C-8 = 70 μ f	C-25 = 0.25 μ f \pm 5%
C-9 = 10 μ f	C-26 = 0.02 μ f
C-10 = 10 μ f	C-27 = 0.002 μ f
C-11 = 10 μ f	C-28 = 0.001 μ f
C-12 = 0.02 μ f	C-29 = 0.001 μ f
C-13 = 0.02 μ f	C-30 = 0.1 μ f
C-14 = 17-22 μ f	C-31 = 0.1 μ f
C-15 = 15 μ f	C-32 = 0.1 μ f
C-16 = 0.0005 μ f	C-33 = 0.25 μ f \pm 5%
C-17 = 0.02 μ f	

SWITCHES

S1 = Band Change Switch
S2 = Motor Switch
S3 = Modulation Switch
S4 = External Modulation Switch
S5 = Multiplier Switch

TUBES

T1 = RCA-76
T2 = RCA-89
T3 = RCA-955
T4 = RCA-84
T5 = RCA-76

TYPE 605-P1 POWER SUPPLY

CONDENSERS

C-1 = 0.002 μ f
C-2 = 0.002 μ f
C-3 = 1 μ f

FUSES

F-1 = 2.5 amp.
F-2 = 2.5 amp.
F-3 = 0.1 amp.

RESISTORS

R-1 = 650 Ω
R-2 = 0.5 M Ω
R-3 = 5000 Ω
R-4 = 1.5 Ω

SWITCHES

S-1 = Power Switch
S-2 = Plate Switch

TUBE

T1 = RCA-84

PILOT LAMP

PL = 5-6 volt

TYPE 605-P10 POWER SUPPLY

CONDENSERS

C-1 = 0.1 μ f
C-2 = 0.1 μ f
C-3 = 0.1 μ f
C-4 = 1 μ f
C-5 = 2 μ f

RESISTORS

R-1 = 0.75 Ω
R-2 = 1000 Ω
R-4 = 0.5 M Ω
R-5 = 650 Ω

SWITCHES

S-1 = Power Switch
S-2 = Plate Switch

FUSES

F1 = 2.5 Amp.
F2 = 0.1 Amp.

METER

M1 = Weston, Type 506, 200-8V.
