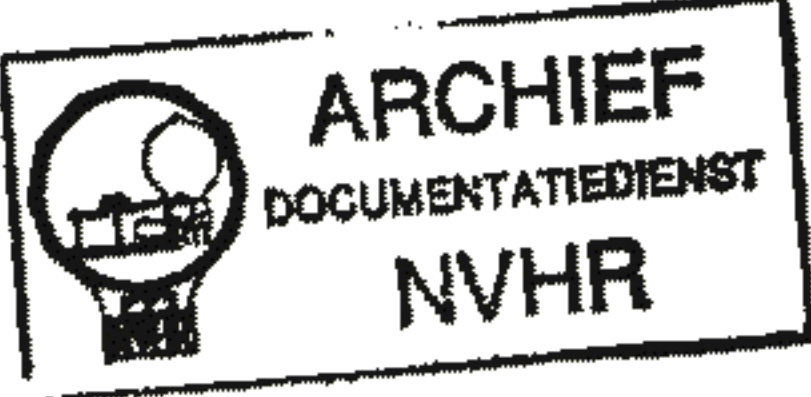


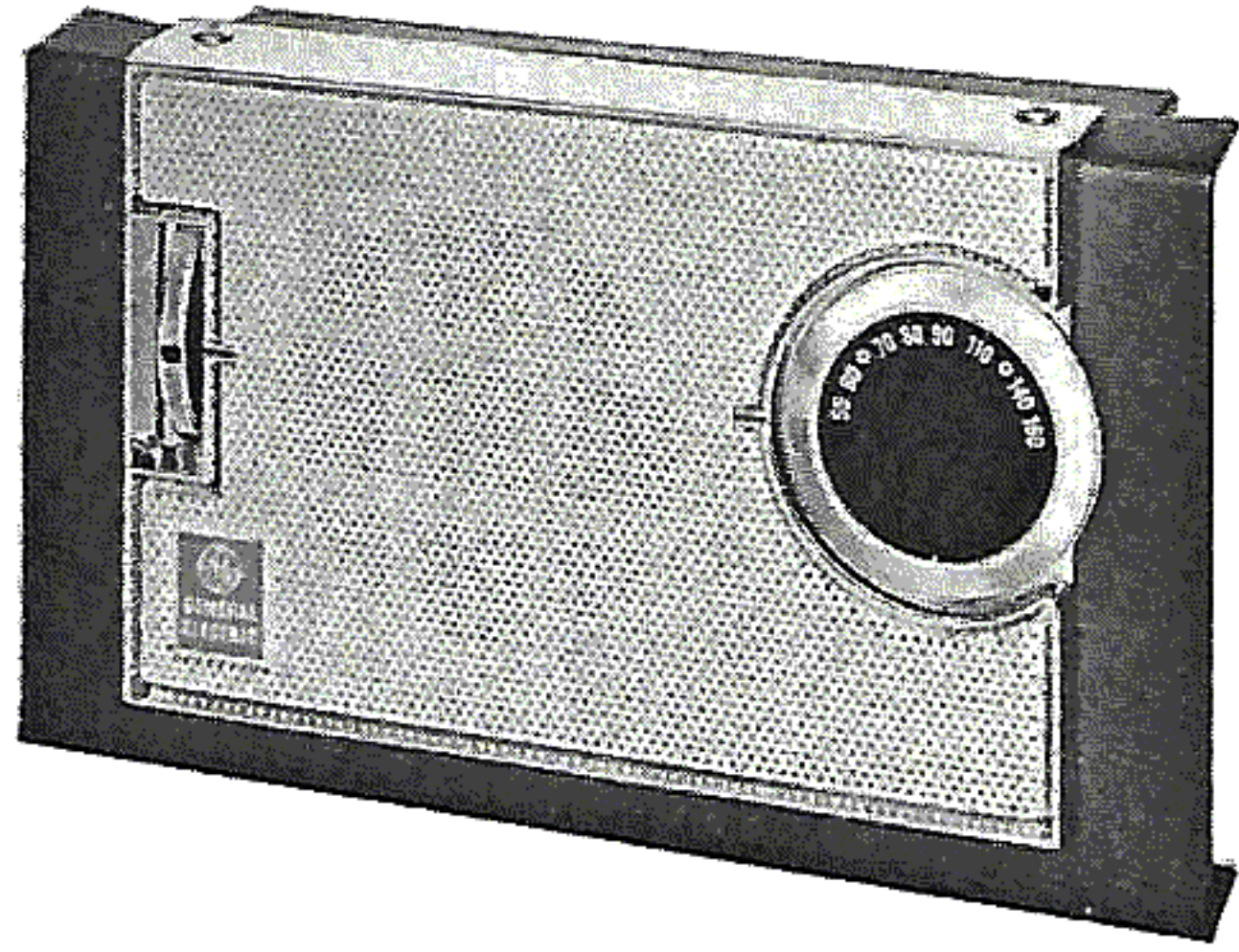


PHOTOFACT®

Met dank aan Jef Bos



TRADE NAME : General Electric Models R310A, R315A
 SUPPLIER : General Electric Company
 Product Service - Radio Receiver Dept.
 1001 Broad Street, Utica, N. Y.
 TYPE SET : 5 Transistor AM Receiver
 POWER SUPPLY : 10/ 16/ 24 Volts AC
 RATING : 17MA @ 6.5VDC
 TUNING RANGE: BROADCAST 540 - 1620KC

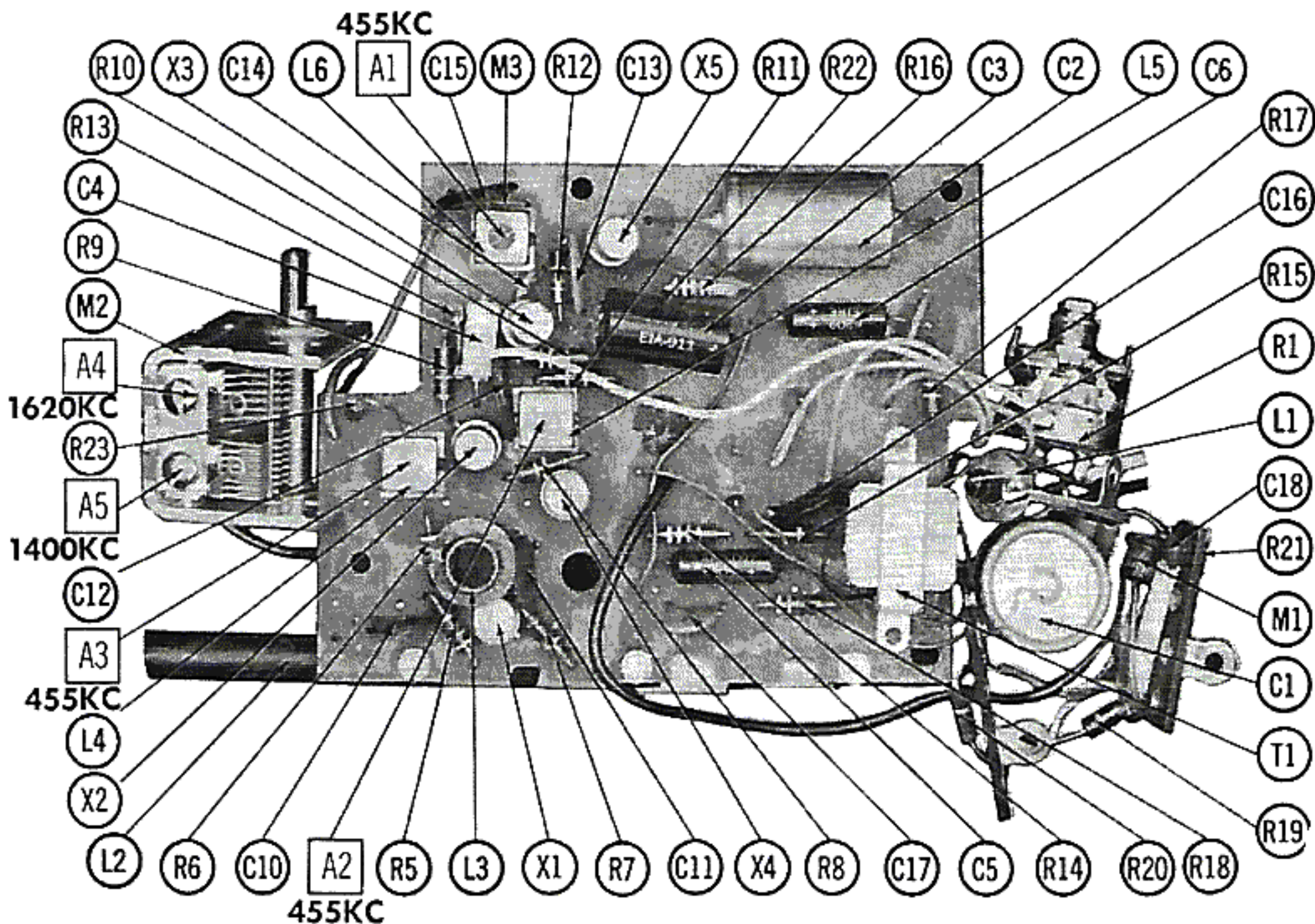


ALIGNMENT INSTRUCTIONS

Check for specified source voltage.
 Fashion loop of several turns of wire and connect generator across loop.
 Adjust output of generator to radiate only enough signal into receiver to obtain a suitable indication.
 Suggested Alignment Tools:

A1 thru A5..... GENERAL CEMENT #5000, 5066, 8290
 WALSCO #2512, 2525, 2528

	SIGNAL GENERATOR FREQUENCY	RADIO DIAL SETTING	INDICATOR	ADJUST	REMARKS
1.	455KC (400v Mod.)	Tuning gang fully open.	Output Meter across voice coil.	A1, A2, A3	Adjust for maximum. Repeat as required.
2.	1620KC	"	"	A4	Adjust for maximum.
3.	1400KC	"	"	A5	Adjust for maximum.



HOWARD W. SAMS & CO., INC. Indianapolis 6, Indiana

WIRING DATA

General-use Unshielded Hook-up Wire	Use BELDEN No. 8530 (Solid 22AWG)	Available
	8524 (Stranded 22AWG)	in
	8570 (Stranded 26AWG)	12 Colors

TRANSISTORS

ITEM No.	ORIG. TYPE	USE	REPLACEMENT DATA			NOTES	G. E. PART No.
			DELCO PART No.	GENERAL ELECTRIC PART No.	RCA PART No.		
X1		Converter	DS-25	GE-1		PNP	RS-5101 or ER-15X4
X2		1st IF Amp.	DS-25	GE-1		PNP	RS-5201 or ER-15X5
X3		2nd IF Amp.	DS-25	GE-1		PNP	RS-5301 or ER-15X6
X4		Driver	DS-26	GE-2	2N406	PNP	RS-5505 or ER-15X7
X5		Output	DS-26	GE-2	2N408	PNP	RS-5602 or ER-15X9

ELECTROLYTIC CAPACITORS

ITEM No.	RATING		REPLACEMENT DATA						
	CAP.	VOLT.	G. E. PART No.	AEROVOX PART No.	CORNELL-DUBILIER PART No.	GENERAL ELECTRIC PART No.	GENERAL INSTRUMENT PART No.	MALLORY PART No.	SPRAGUE PART No.
C1	300	15	ER-31X5	PRS1210	BR250-15	QT1-30	BL2240	TC50025	TVA-1161
C2	500	10	ER-31X4	PRS1170	BR500-12	QT1-30	BL2232	TC1505	TVA-1132
C3	200	4.5	ER-31X9	PTT31	NLW200-12	MT1-24	MLV200-8	TT6X200	TE-1104
C4	6	15	ER-31X1	CRE455A	NLW8-15	MT1-5	BL1142	TT25X6	TE-1153
C5	4	50	①	CRE753A	NLW4-50	MT1-3	BL1370	TT50X4	TE-1302.1
C8	4	50	①	CRE753A	NLW4-50	MT1-3	BL1370	TT50X4	TE-1302.1

① Some versions may use 2mfd in this application (Part #ER-31X2).

FIXED CAPACITORS

ITEM No.	RATING	REMARKS	REPLACEMENT DATA						
			AEROVOX PART No.	CENTRALAB PART No.	CORNELL-DUBILIER PART No.	ELMENCO PART No.	MALLORY PART No.	SPRAGUE PART No.	
C10	.0033			DM-302					
C11	.005		TTD-005	CK-502	H1			TA-250	TG-D50
C12	.01		TTD-01	CK-103	H2			TA-110	TG-S10
C13	.05		TTD-05	CK-503	H5			TA-150	TG-S50
C14	5 10%		NPO-DI 5.0	DTZ-4R7	C10V5C		CCTO-050	CNO-547	10TCC-V50
C15	.02		TTD-02	CK-203	H3			TA-120	TG-S20
C16	.02		TTD-02	CK-203	H3			TA-120	TG-S20
C17	.1 10V		TTD-1	CK-104	H6			TA-010	TG-P10
C18	.001			DM-102					

CONTROLS

All wattages 1/2 watt, or less, unless otherwise listed.

ITEM No.	USE	RESISTANCE	REPLACEMENT DATA				
			G. E. PART No.	CENTRALAB PART No.	CLAROSTAT PART No.	CTS-IRC PART No.	MALLORY PART No.
R1	Volume & Switch	10K	ER-49X4 (867B325-1)				

DESCRIPTION

COILS (RF-IF)

ITEM No.	USE	REPLACEMENT DATA					NOTES
		G. E. PART No.	MERIT PART No.	MILLER PART No.	STANCOR PART No.	WORKMAN PART No.	
L1	Choke (1MH) ①	ER-36X2					① Wound on 2.2meg
L2	Loopstick	ER-83X2					
L3	Osc.	ER-35X2					
L4	1st IF	ER-61X1					
L5	2nd IF	ER-61X4	BC-575	2067	RTC-9267		
L6	3rd IF	ER-61X3	BC-576	2068	RTC-9268		

TRANSFORMER (AUDIO OUTPUT)

ITEM No.	IMPEDANCE		REPLACEMENT DATA					NOTES
			G. E. PART No.	MERIT PART No.	STANCOR PART No.	THORDARSON PART No.	TRIAD PART No.	
	PRI.	SEC.						
T1	350Ω	3-4Ω	ER-64X4			TR-22	TY-33X	

SPEAKER

ITEM No.	TYPE	REPLACEMENT DATA		NOTES
		G. E. PART No.	QUAM PART No.	
SP1	3 1/2" PM 3-4Ω 3 1/2" PM 8-10Ω 3 1/2" PM 8-10Ω	ER-95X4 ER-95X5 ER-95X7	3A05R	Model R310A Model R315A Remote Speaker Model R315A Remote Speaker

POWER RECTIFIERS

ITEM No.	MEASURED CURRENT	ORIGINAL Part or Type No.	RECTIFIERS		
			MALLORY PART No.	RCA PART No.	SARKES TARZIAN PART No.
M1	17MA	ER-57X2	A50	1N2858	10H

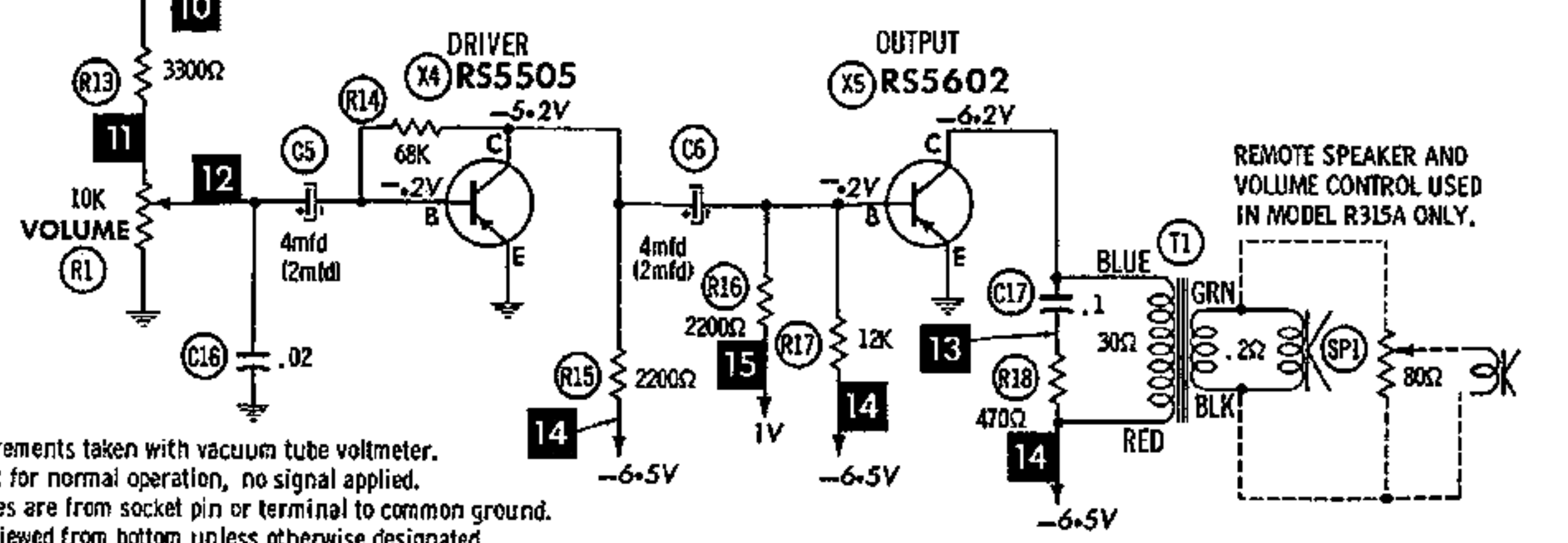
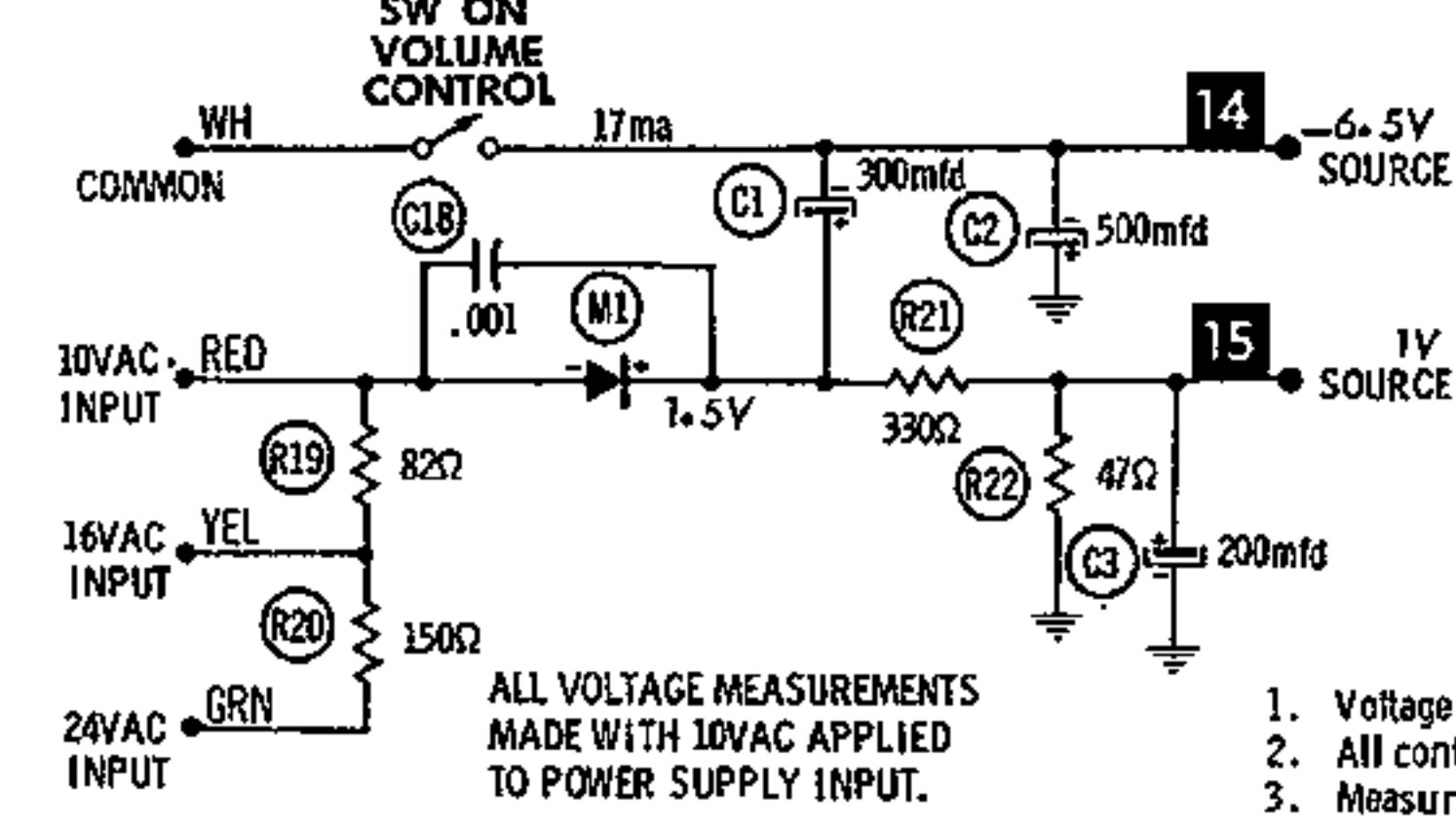
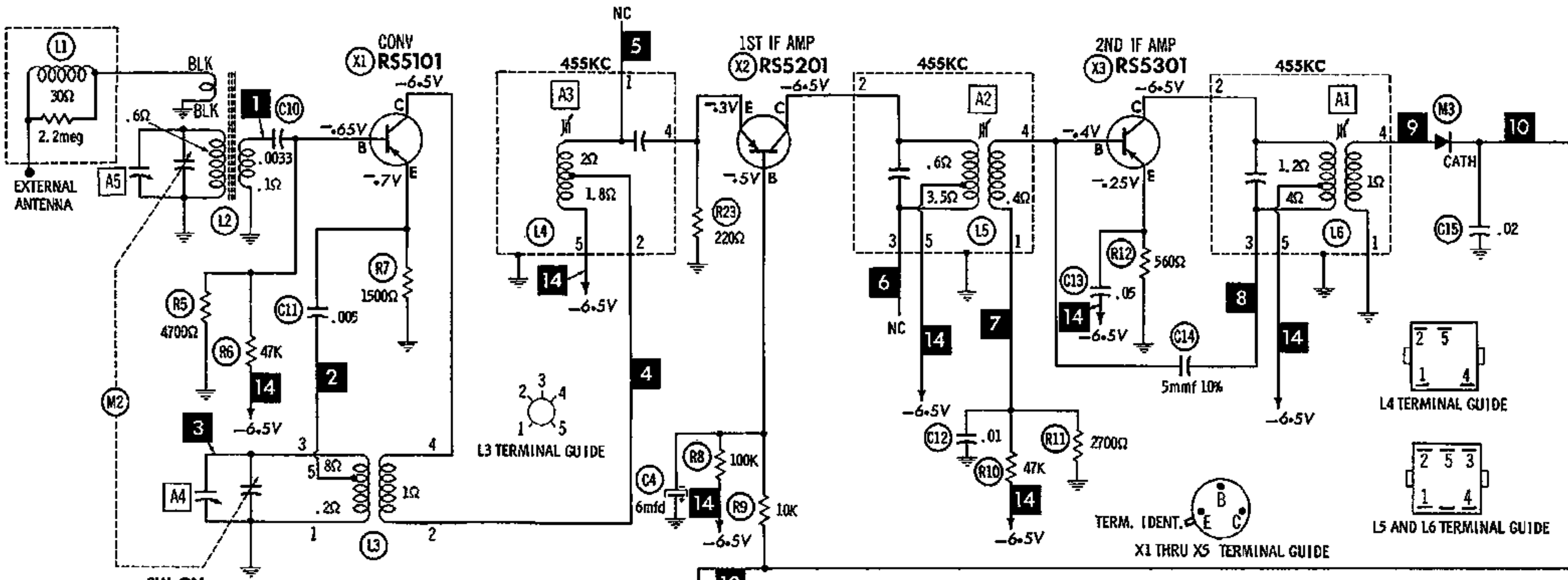
MISCELLANEOUS

ITEM No.	PART NAME	G. E. PART No.	NOTES
M2	Tuning Cap.	ER-30X2	
M3	Detector	ER-16X1	

CABINETS & CABINET PARTS

(When Ordering Specify Model, Chassis & Color)

ITEM	PART No.	ITEM	PART No.
Knob - Tuning	ER-43X9	Cabinet Front	ER-99X1
Knob - Volume	ER-43X8	Cabinet Back	ER-98X1
Knob - Volume, Remote	ER-43X10		



1. Voltage measurements taken with vacuum tube voltmeter.
2. All controls set for normal operation, no signal applied.
3. Measured values are from socket pin or terminal to common ground.
4. All terminals viewed from bottom unless otherwise designated.
5. Numbers assigned to terminals may not be found on the unit.
6. Supply voltage maintained at rated value for voltage readings.
7. Resistance measurements not given because of the wide variation in internal resistance of transistor.

A PHOTOFAC STANDARD NOTATION SCHEMATIC with CIRCUITRACE
 ©Howard W. Sams & Co., Inc. 1963

GENERAL ELECTRIC MODELS R310A, R315A

