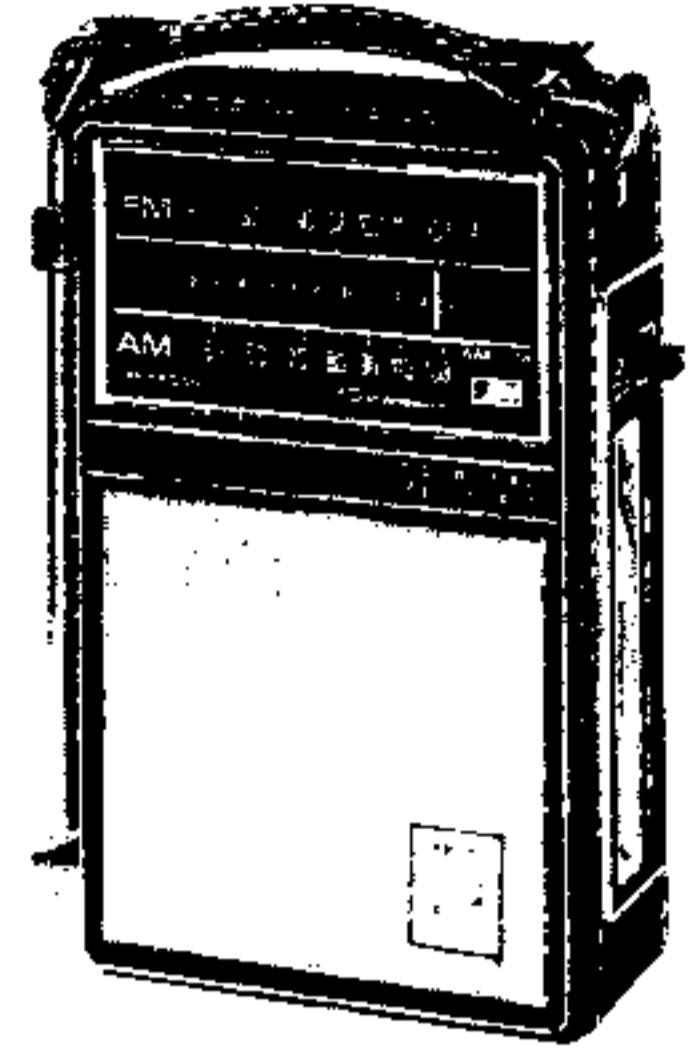


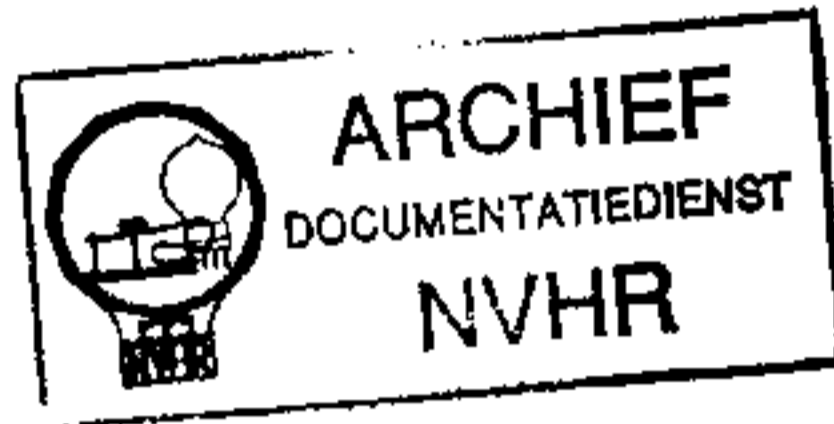


Met dank aan Jef Bos



TRADE NAME: General Electric Model P975D
 SUPPLIER: For Current Address, see Annual Index
 TYPE SET: 15-Transistor AM-FM Receiver
 POWER SUPPLY: 6 Volts DC
 RATING: (FM) 20ma @ 6VDC (No Signal, Min. Volume)
 40ma @ 6VDC (Signal, Normal Volume)
 TUNING RANGE: BROADCAST 540 -- 1630KC
 FREQ. MOD. 88 -- 108MC

Ned. Ver. v. Historie v/d Radio



ALIGNMENT INSTRUCTIONS

Check for specified source voltage. Set Volume control at maximum.
 Fashion loop of several turns of wire and connect generator across loop.
 Adjust output of generator to radiate only enough signal into receiver to obtain a suitable indication.
 Suggested Alignment Tools:

A1 thru A5, A7 thru A13.....GENERAL CEMENT #8868, 9089.....WALSCO #2541, 2587
 A6.....GENERAL CEMENT #9087.....WALSCO #2528

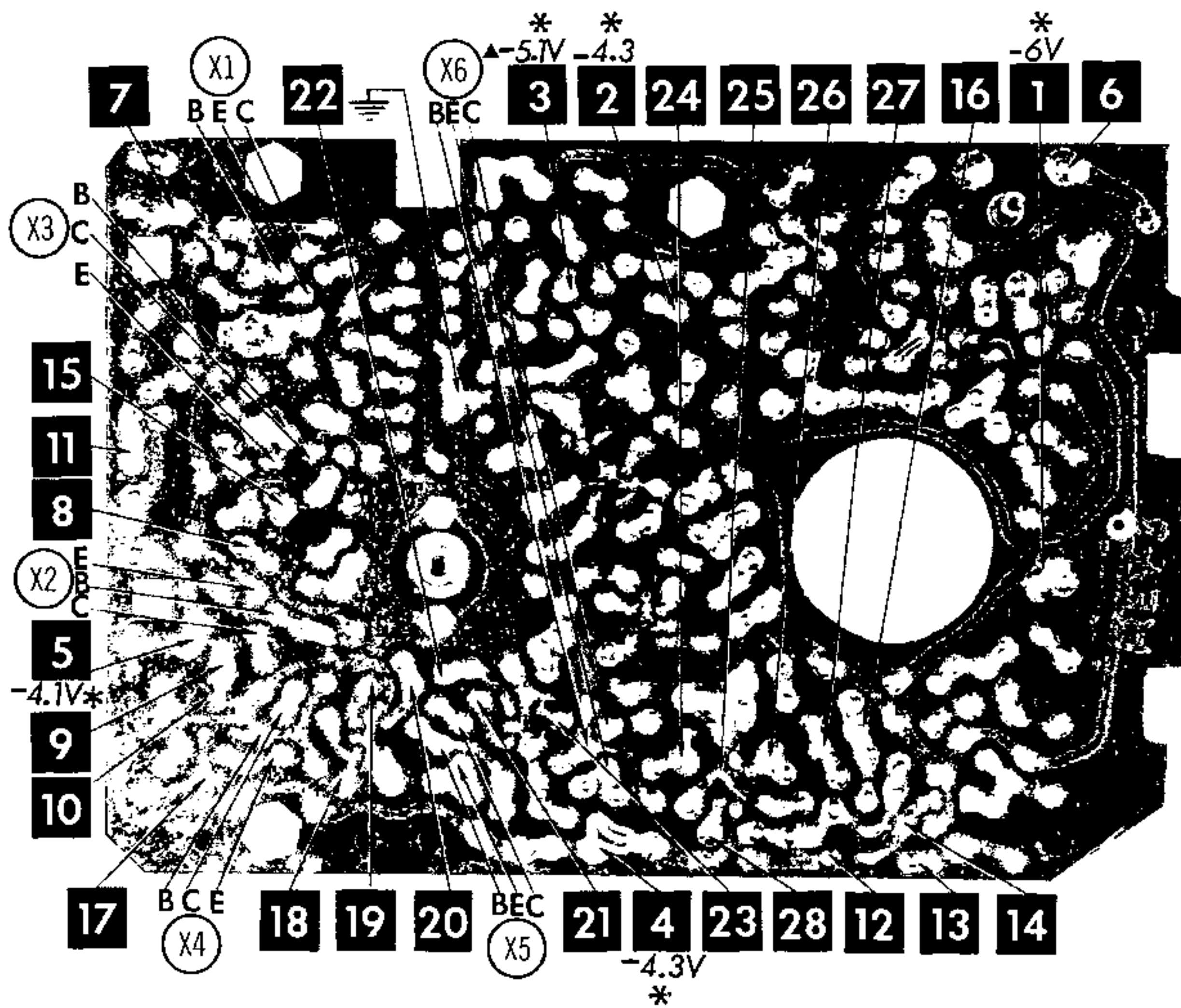
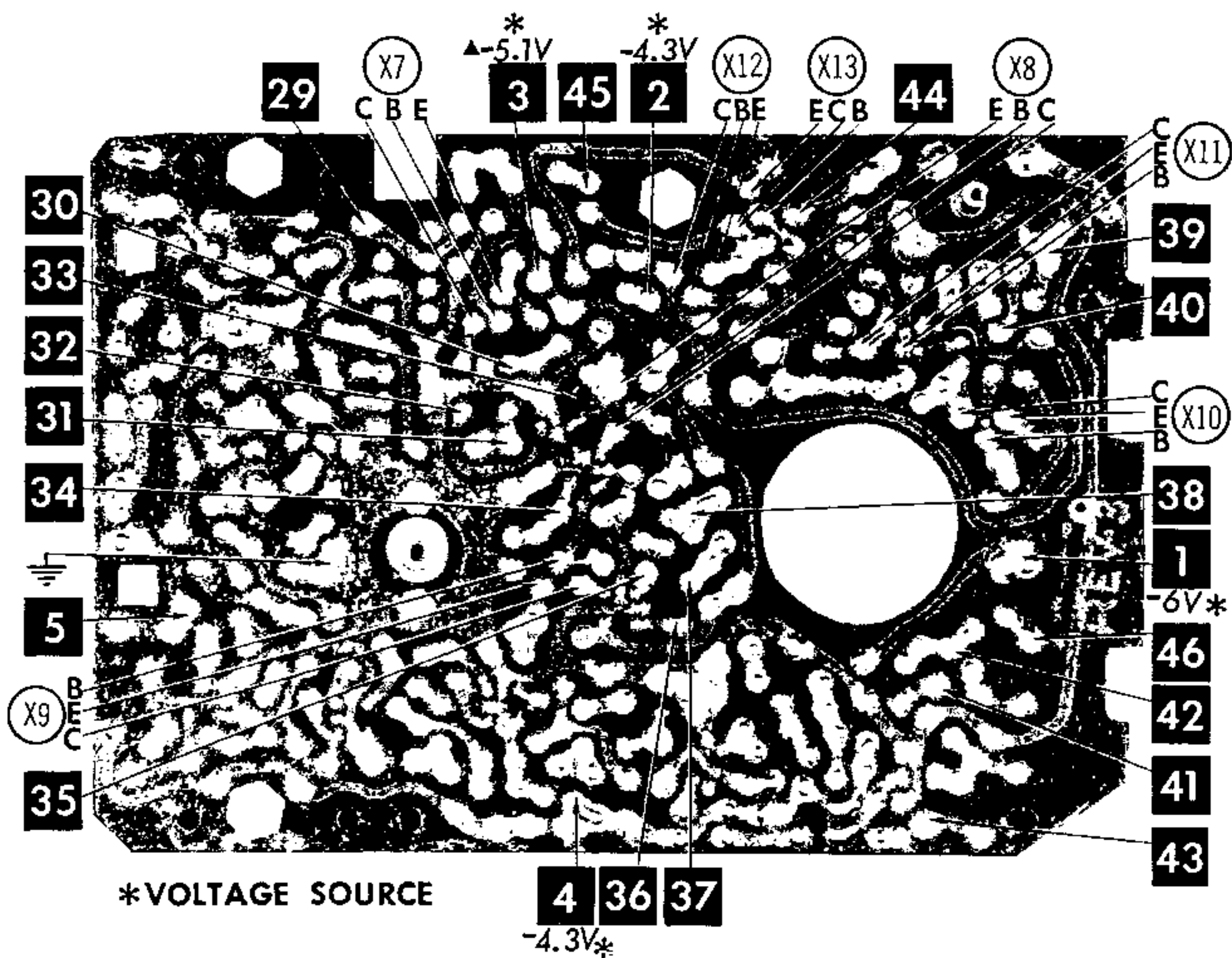
SELECTOR IN AM

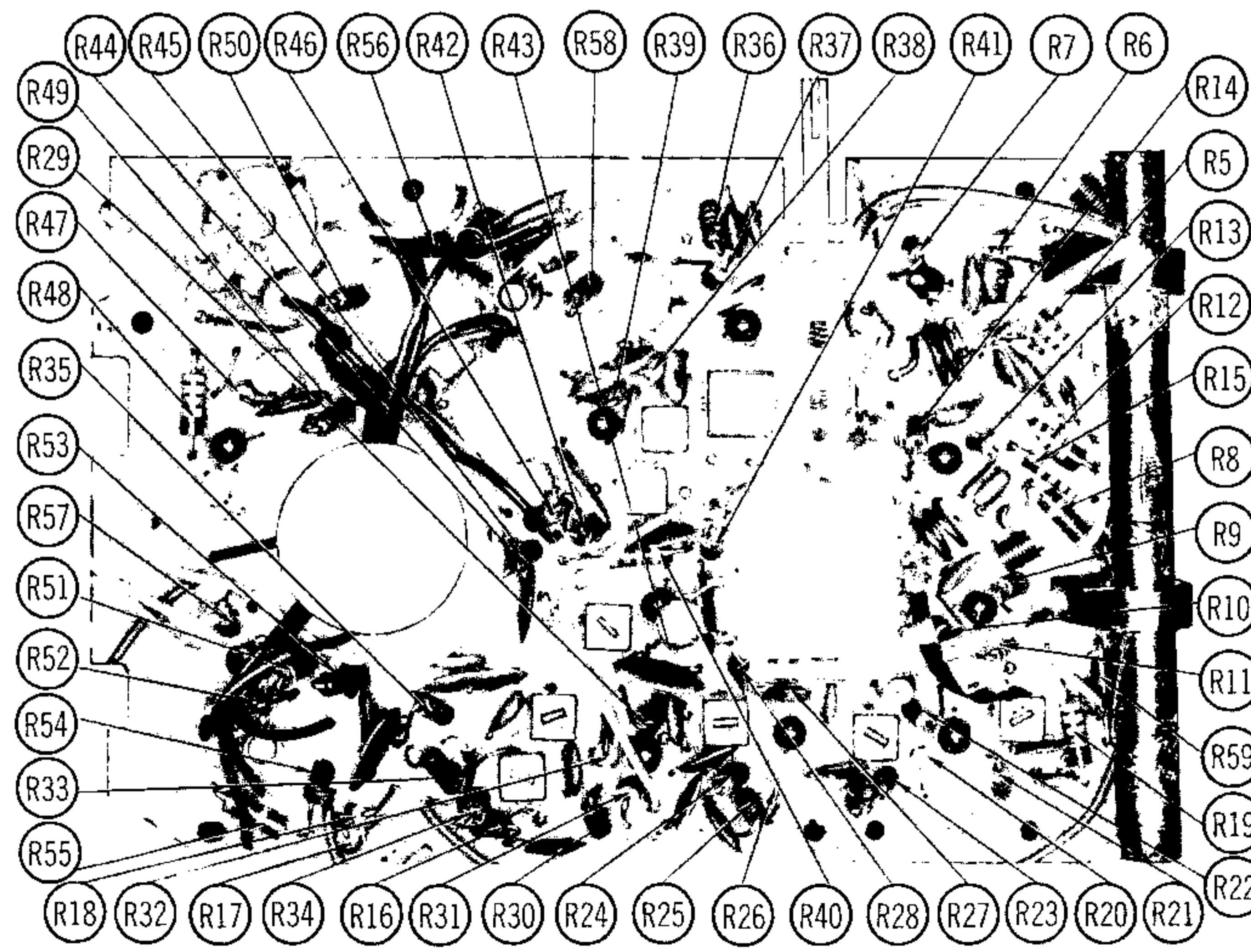
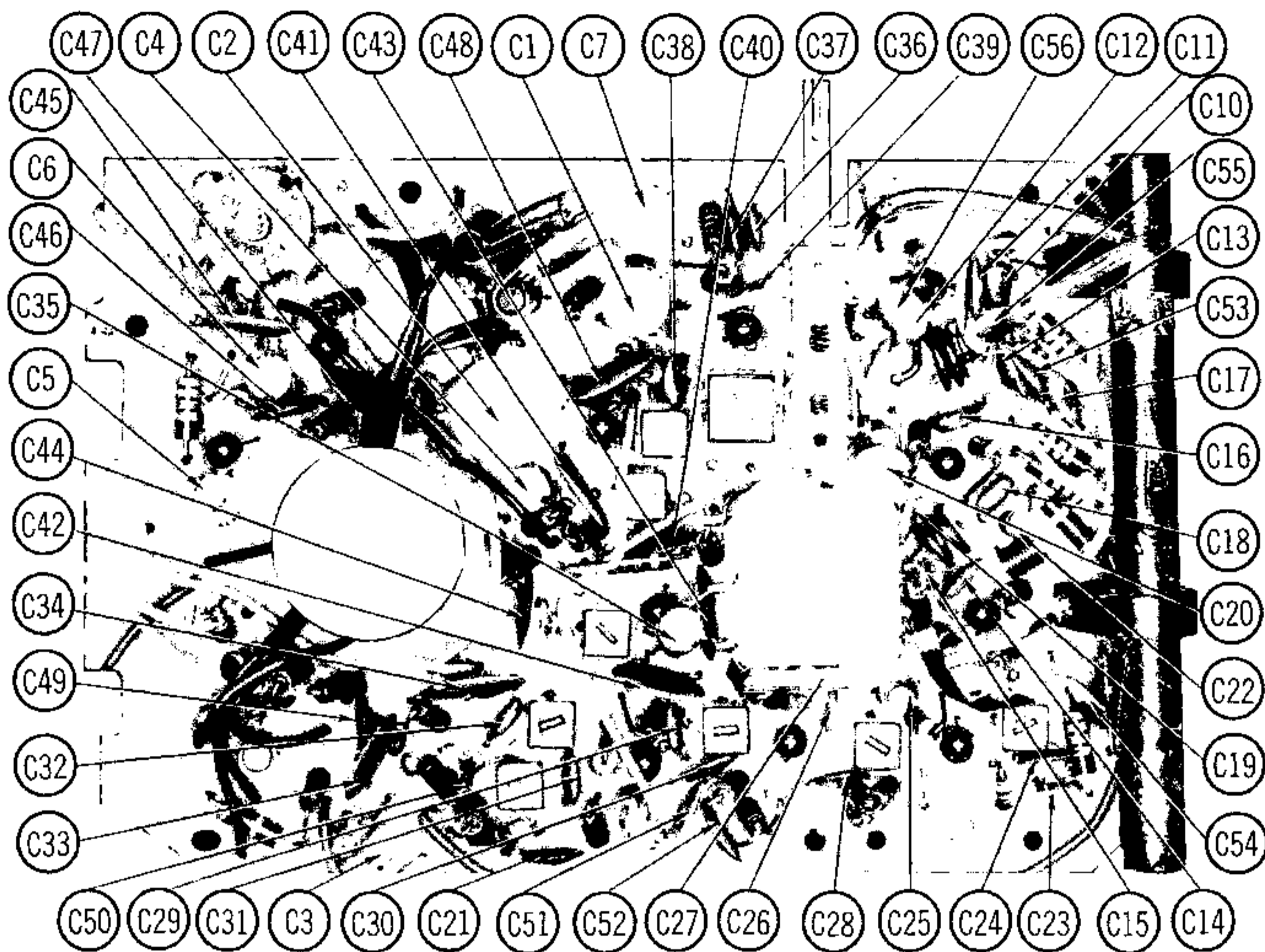
	GENERATOR FREQUENCY	DIAL SETTING	INDICATOR	ADJUST	REMARKS
1.	455KC (400v Mod.)	Tuning gang fully open.	Output Meter across Voice coil.	A1, A2, A3	Adjust for maximum. Repeat until no further improvement can be made.
2.	1630KC	"	"	A4	Adjust for maximum.
3.	1400KC	Tune to signal.	"	A5	Adjust for maximum.
4.	600KC	"	"	A6	Rock tuning gang and adjust for maximum. Repeat steps 2 thru 4 until no further improvement can be made.

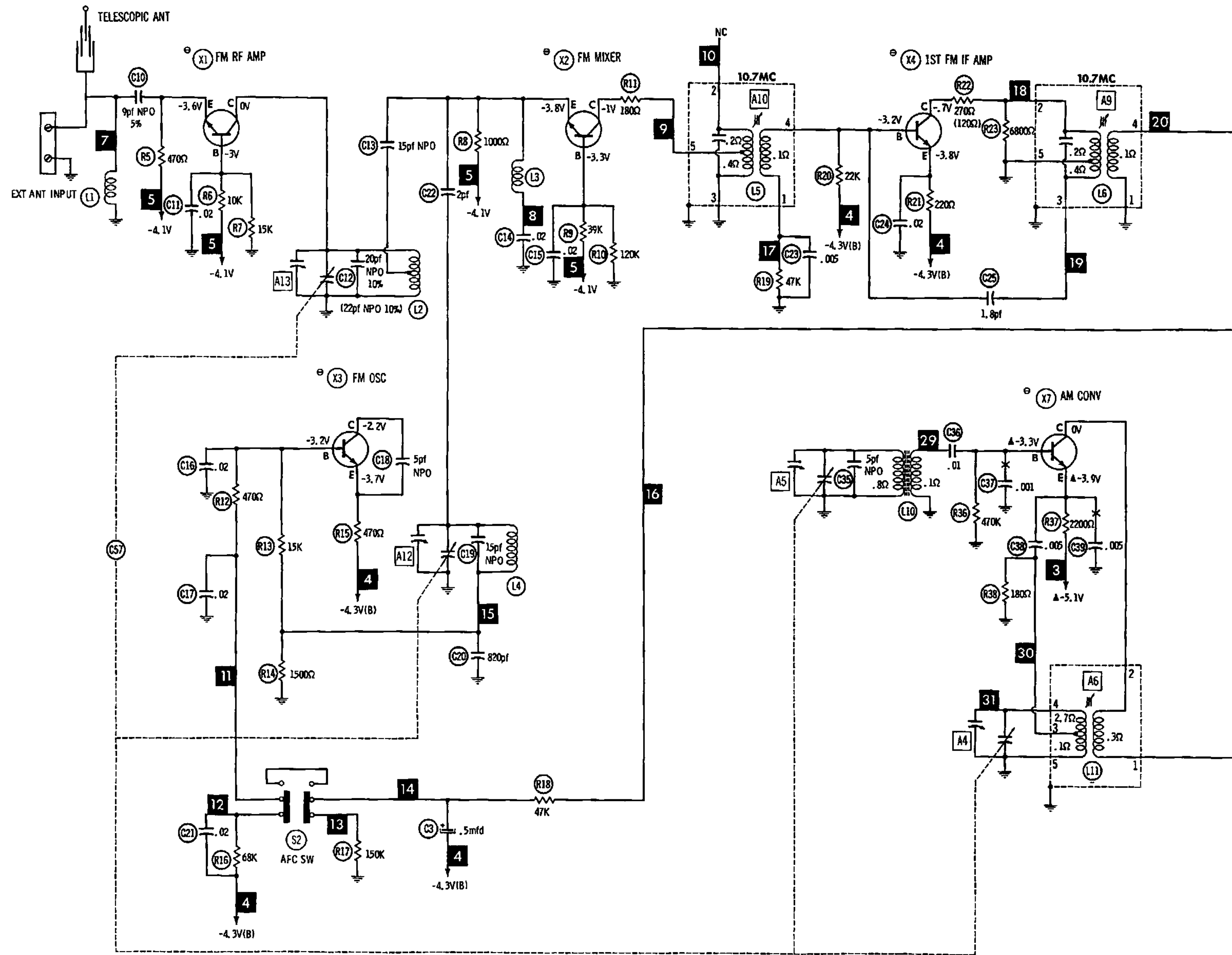
SELECTOR IN FM

Connect two matched 100K ($\pm 1\%$) resistors in series from point $\diamond A$ to $-4.3V(B)$ source. The junction of these two resistors is alignment point $\diamond C$ as shown on the schematic.

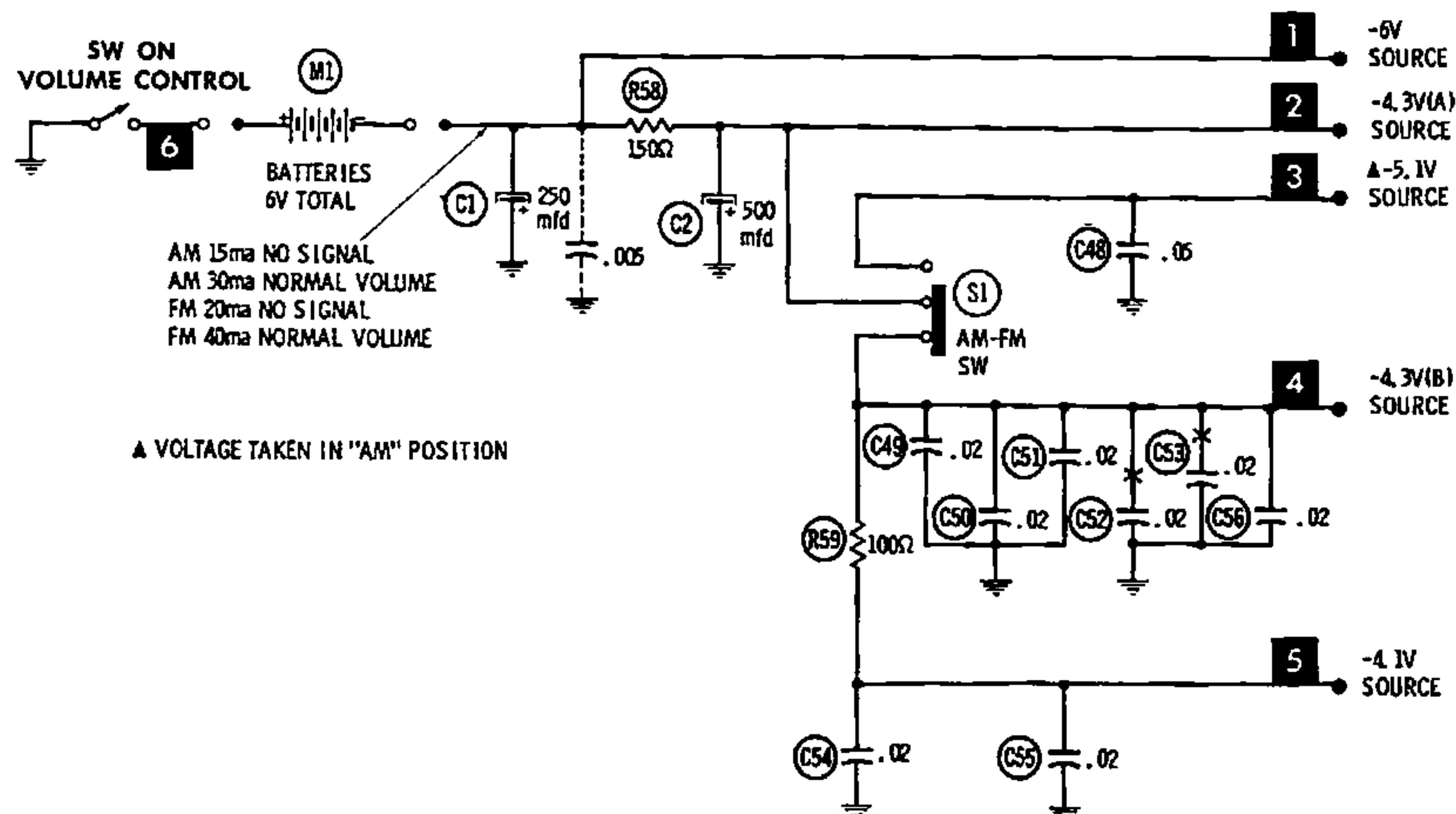
5.	10.7MC (Unmod.)	Point of non-interference.	DC probe of VTVM to point $\diamond A$; common to ground.	A7, A8, A9, A10	Adjust for maximum.
6.	"	"	DC probe to point $\diamond B$; common to point $\diamond C$.	A11	Adjust for zero reading. A positive or negative reading will be obtained on either side of the correct setting.
7.	108MC	Set at high end.	DC probe of VTVM to point $\diamond A$; common to ground.	A12, A13	Adjust for maximum.







Resistors are 1/2 watt or less and rated 10% or 20% unless otherwise indicated.



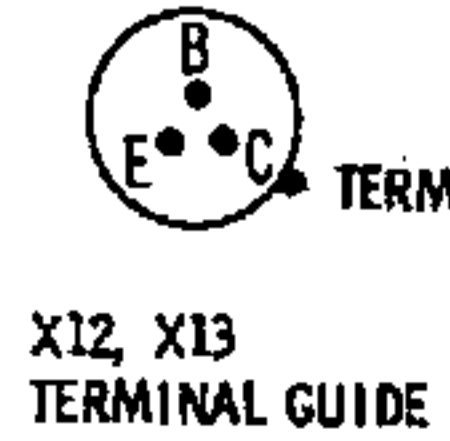
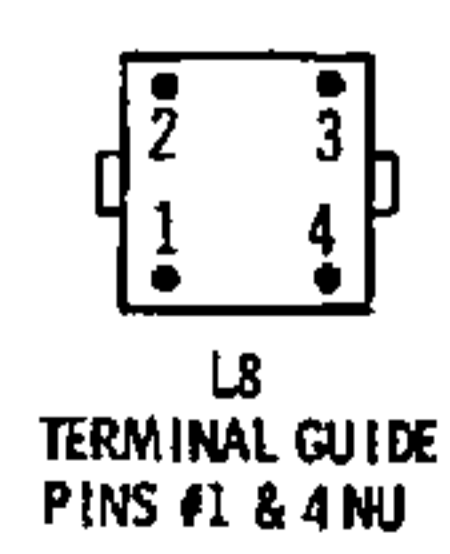
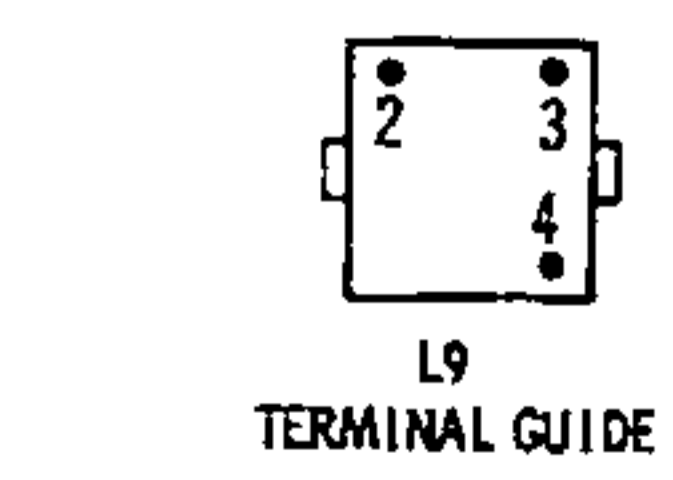
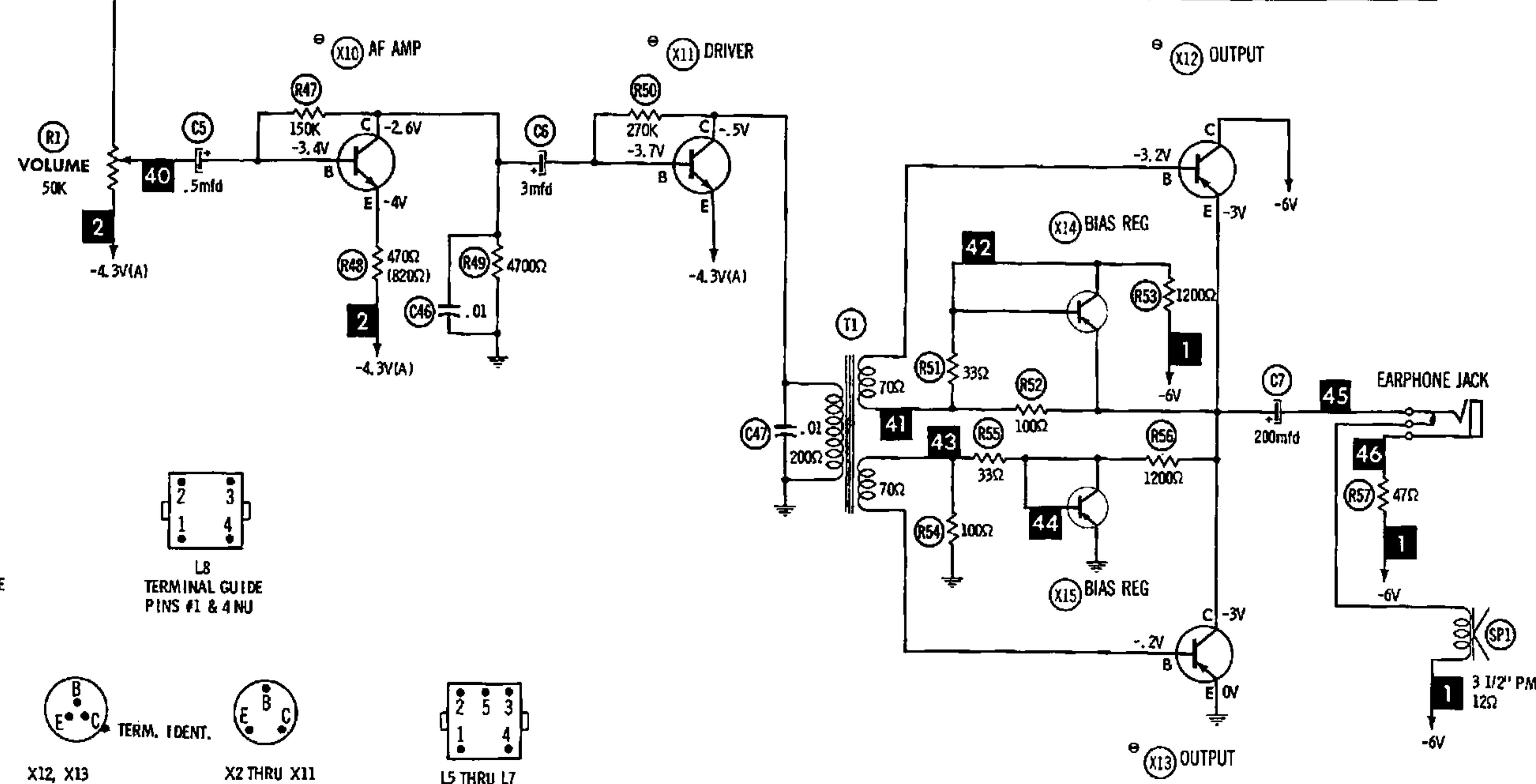
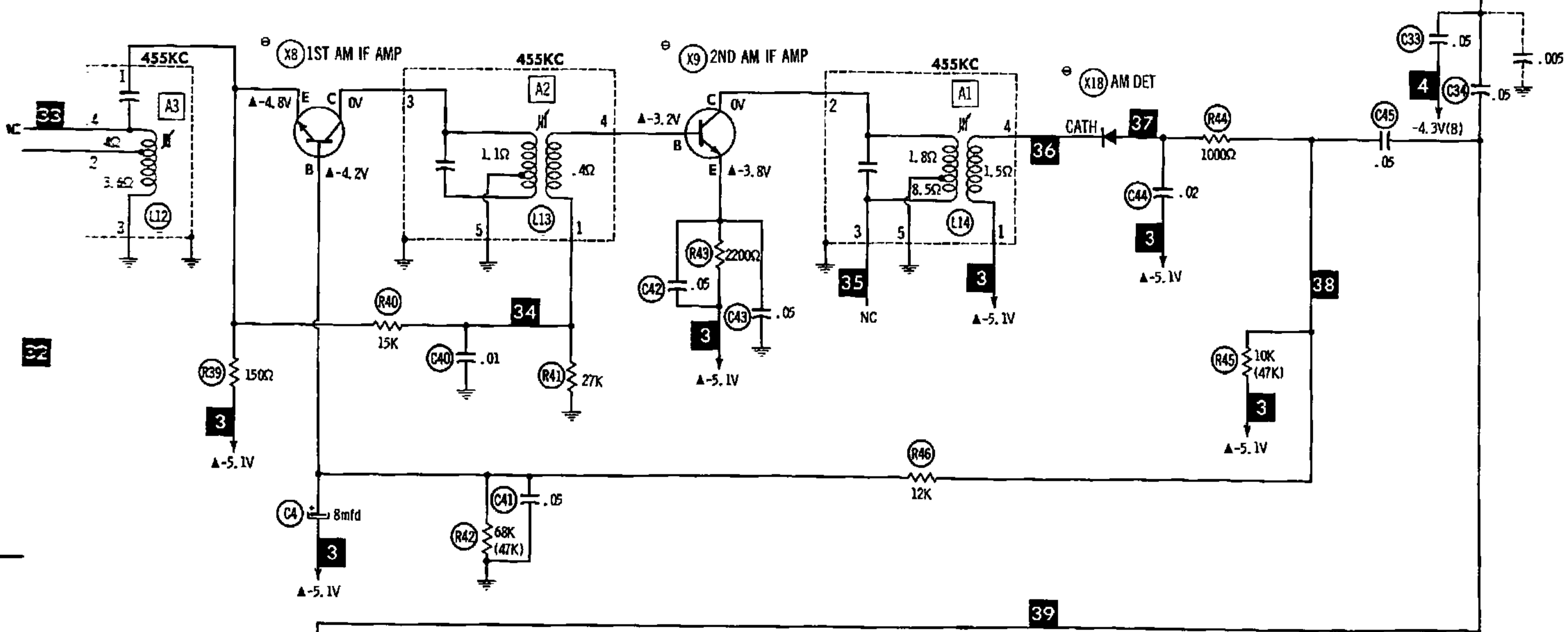
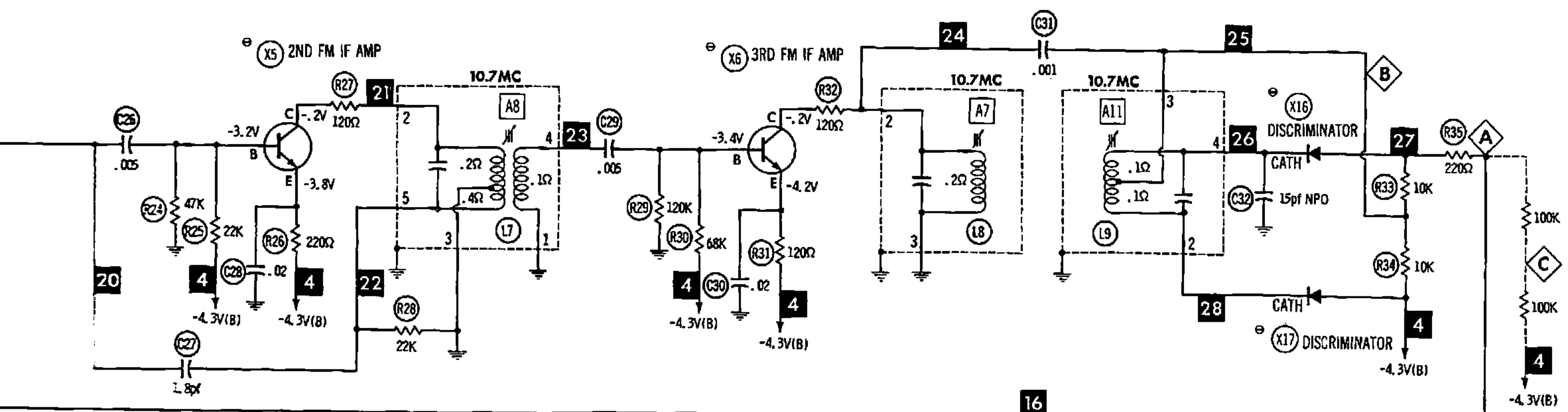
▲ VOLTAGE TAKEN IN "AM" POSITION

- ⊙ See parts list
- 1. Voltage measurements taken with vacuum tube voltmeter.
- 2. All controls set for normal operation, no signal applied.
- 3. Measured values are from socket pin or terminal to common ground.
- 4. All terminals viewed from bottom unless otherwise designated.
- 5. Numbers assigned to terminals may not be found on the unit.
- 6. Supply voltage maintained at rated value for voltage readings.
- 7. Resistance measurements not given because of the wide variation in internal resistance of transistor.

NC NO CONNECTION
NU NOT USED

A PHOTOFAC STANDARD NOTATION SCHEMATIC
with **CIRCUITRACE**

© Howard W Sams & Co., Inc. 1966



GENERAL ELECTRIC MODEL P975D