

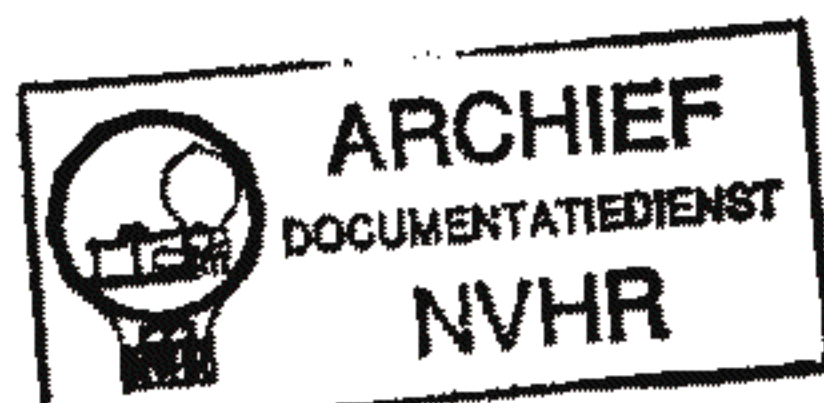
PHOTOFACT[®] with

CIRCUITRACE[®]



TRADE NAME: General Electric Model P885B
 SUPPLIER: General Electric Co.
 Product Service, Radio Receiver Dept.
 1001 Broad Street, Utica, N. Y.
 TYPE SET: 6 Transistor AM Receiver
 POWER SUPPLY: 4.5 Volts DC
 RATING: 14MA @ 4.5VDC (No Signal, Min. Volume)
 30MA @ 4.5VDC (Signal, Normal Volume)
 TUNING RANGE: BROADCAST 540 - 1620 KC

Ned. Ver. v. Historie v/d

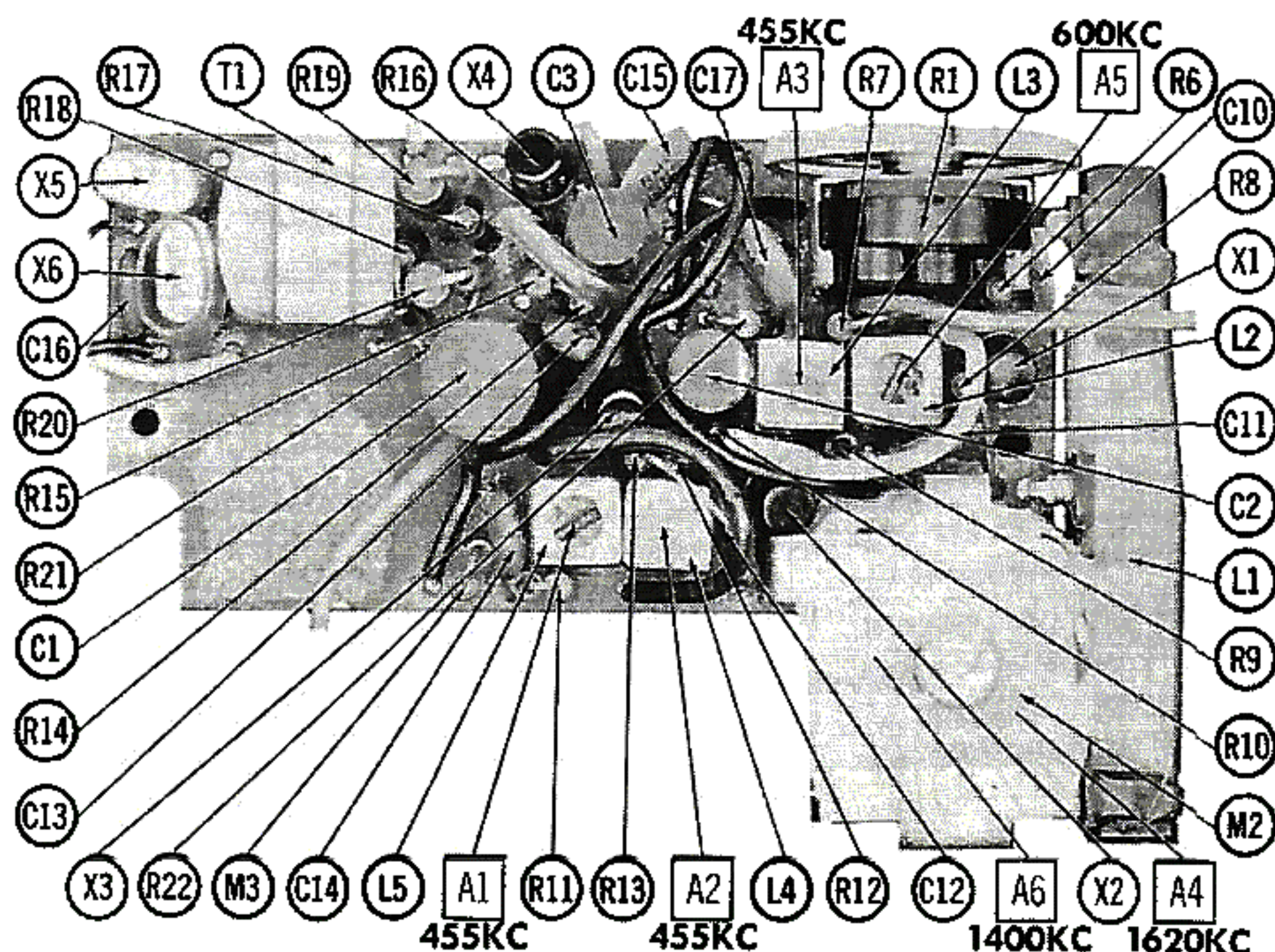


ALIGNMENT INSTRUCTIONS

Check for specified source voltage.
 Fashion loop of several turns of wire and connect generator across loop.
 Adjust output of generator to radiate only enough signal into receiver to obtain a suitable indication.
 Suggested Alignment Tools:

A1, A2, A3, A5..... GENERAL CEMENT #5067, 8282, 8606.... WALSCO #2526, 2543
 A4, A6..... GENERAL CEMENT #5000, 5066, 8290..... WALSCO #2512, 2525, 2528

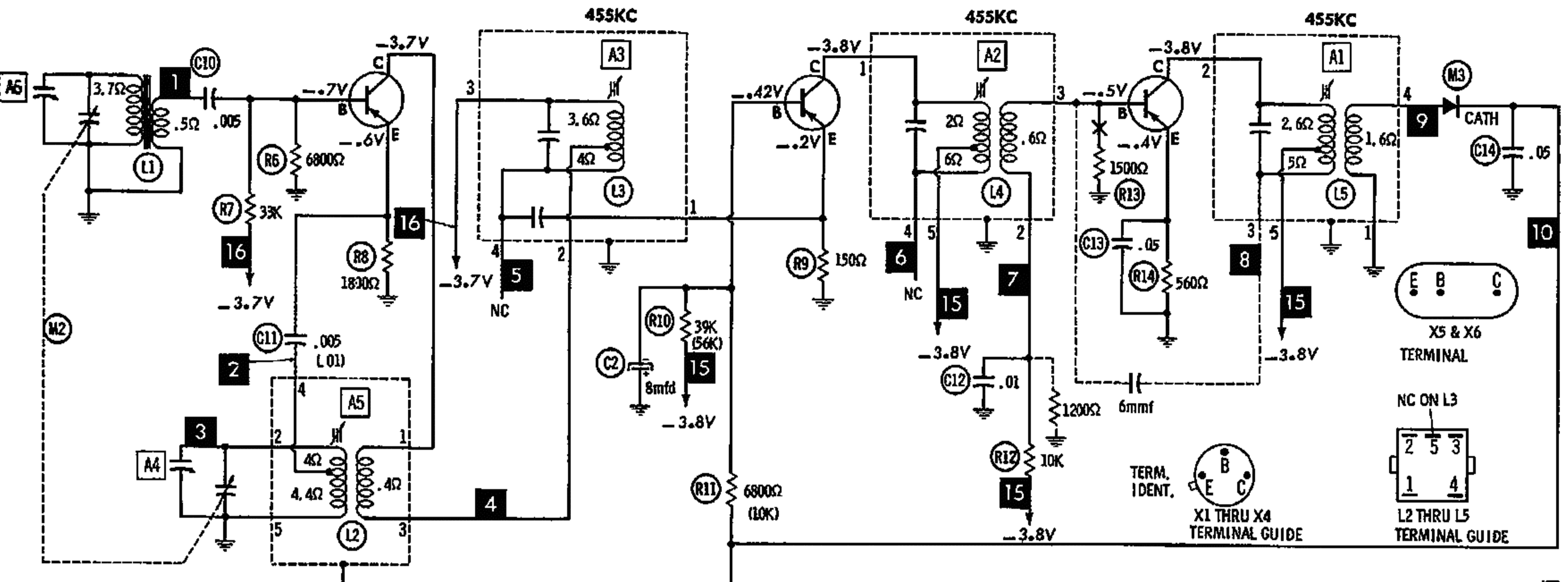
SIGNAL GENERATOR FREQUENCY	RADIO DIAL SETTING	INDICATOR	ADJUST	REMARKS
1. 455KC (400% Mod.)	Tuning gang fully open.	Output Meter across voice coil.	A1, A2, A3	Adjust for maximum. Repeat as required.
2. 1620KC	"	"	A4	Adjust for maximum.
3. 600KC	Tune to Signal.	"	A5	Rock tuning gang and adjust for maximum. Repeat steps 2 and 3.
4. 1400KC	"	"	A6	Adjust for maximum.



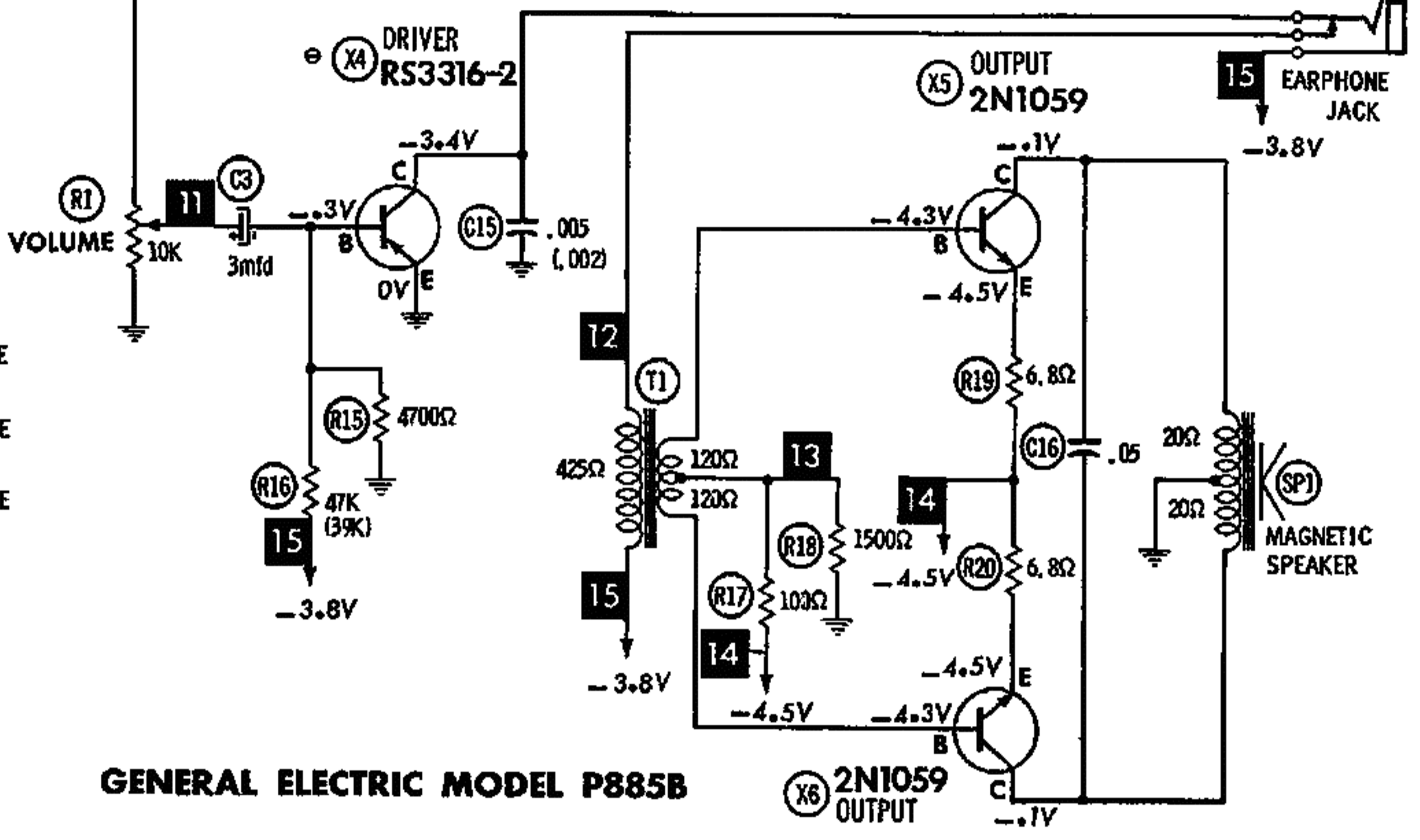
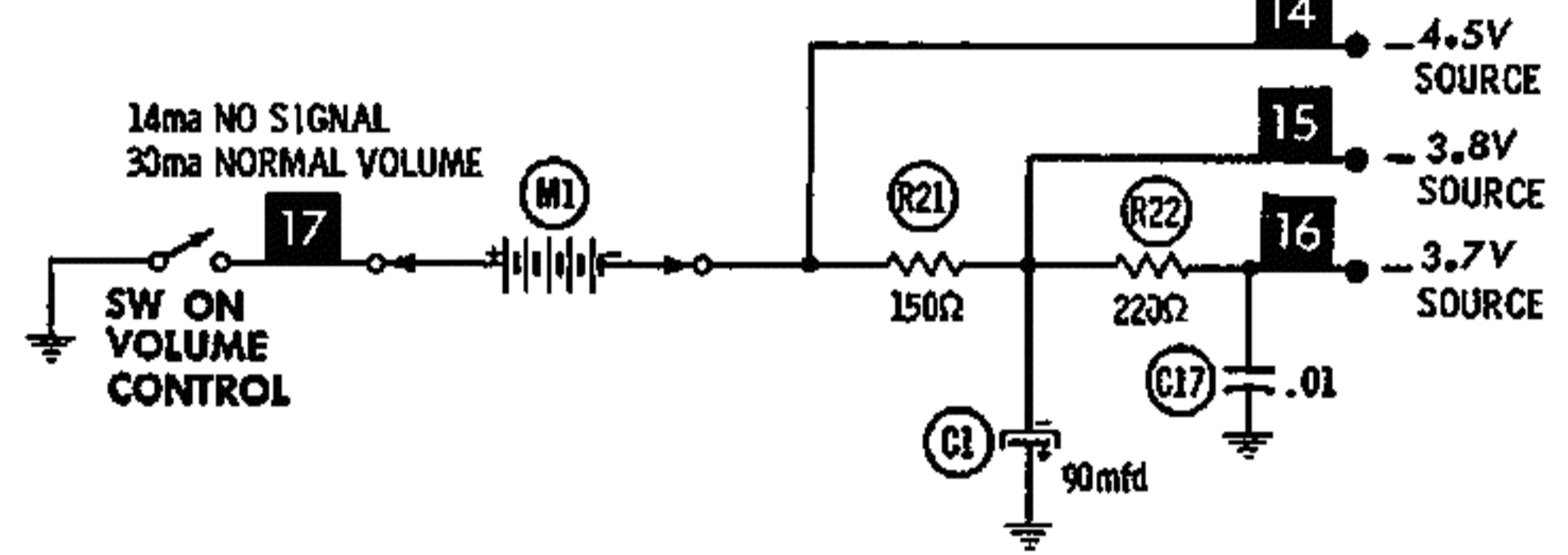
CONV
X1 RS3322

1ST IF AMP
X2 RS3323

2ND IF AMP
X3 RS3324

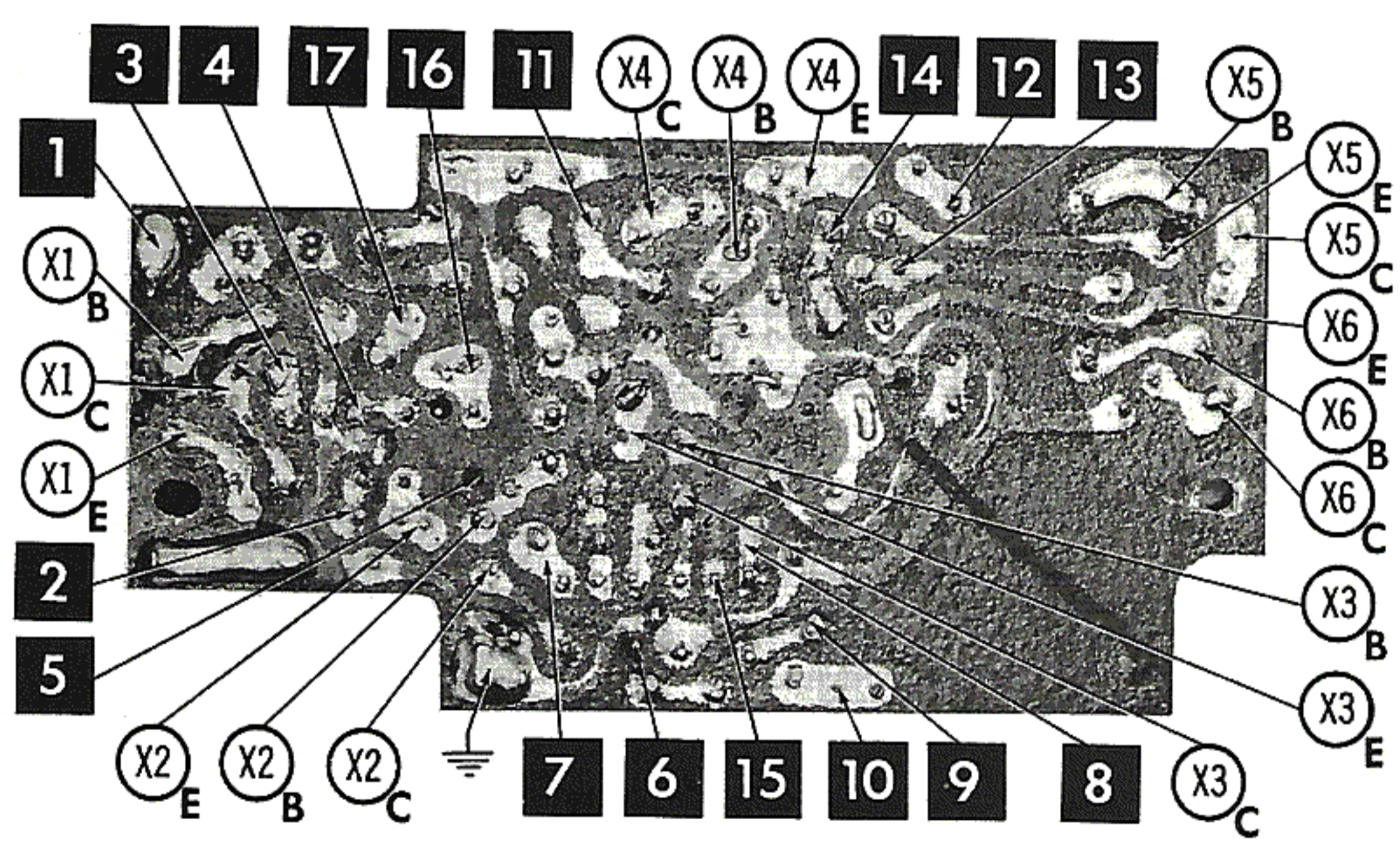


- See parts list for alternate value or application.
- 1. Voltage measurements taken with vacuum tube voltmeter.
- 2. All controls set for normal operation, no signal applied.
- 3. Measured values are from socket pin or terminal to common ground.
- 4. All terminals viewed from bottom unless otherwise designated.
- 5. Numbers assigned to terminals may not be found on the unit.
- 6. Supply voltage maintained at rated value for voltage readings.
- 7. Resistance measurements not given because of the wide variation in internal resistance of transistor.



A PHOTOFACIT STANDARD NOTATION SCHEMATIC
with CIRCUITRACE
©Howard W. Sams & Co., Inc. 1963

GENERAL ELECTRIC MODEL P885B



TRANSISTORS

ITEM No.	MFGR. PART No.	USE	REPLACEMENT DATA			NOTES
			DELCO PART No.	GENERAL ELECTRIC PART No.	RCA PART No.	
X1	RS-3322 ①	Converter	DS-25			PNP
X2	RS-3323 ②	1st IF Amplifier	DS-25			PNP
X3	RS-3324 ③	2nd IF Amplifier	DS-25			PNP
X4	RS-3316-2 ④	Driver				PNP
X5	2N1059	Output				NPN
X6	2N1059	Output				NPN

- ① Alternate Type RS-2609
 ② Alternate Type RS-2691
 ③ Alternate Type RS-2692
 ④ RS-3310, RS-3316-1, RS-2689

ELECTROLYTIC CAPACITORS

ITEM No.	RATING		REPLACEMENT DATA						
	CAP.	VOLT.	G. E. PART No.	AEROVOX PART No.	CORNELL-DUBILIER PART No.	GENERAL ELECTRIC PART No.	GENERAL INSTRUMENT PART No.	MALLORY PART No.	SPRAGUE PART No.
C1	90	5	RS-3412						
C2	8	12	RS-3017	CRE406 A	NLW8-25				TE-1127.3
C3	3	12	RS-2984	CRE402 A	NLW3-15	MT1-3			TE-1122

FIXED CAPACITORS

ITEM No.	RATING	REMARKS	REPLACEMENT DATA					
			AEROVOX PART No.	CENTRALAB PART No.	CORNELL-DUBILIER PART No.	ELMENCO PART No.	MALLORY PART No.	SPRAGUE PART No.
C10	.005	(.01) †	TTD-005	CK-502	H1		TA-250	TG-D50
C11	.005		TTD-005	CK-502	H1		TA-250	TG-D50
C12	.01		TTD-01	CK-103	H2		TA-110	TG-S10
C13	.05	(.002) †	TTD-05	CK-503	H5		TA-150	TG-S50
C14	.05		TTD-05	CK-503	H5		TA-150	TG-S50
C15	.005		TTD-005	CK-502	H1		TA-250	TG-D50
C16	.05		TTD-05	CK-503	H5		TA-150	TG-S50
C17	.01		TTD-01	CK-103	H2		TA-110	TG-S10

† Alternate Value

CONTROLS

All wattages 1/2 watt, or less, unless otherwise listed.

ITEM No.	USE	RESIST-ANCE	REPLACEMENT DATA				
			G. E. PART No.	CENTRALAB PART No.	CLAROSTAT PART No.	CTS-IRC PART No.	MALLORY PART No.
R1	Volume & Switch	10K	RS-3354				

COILS (RF-IF)

ITEM No.	USE	REPLACEMENT DATA					NOTES
		G. E. PART No.	MERIT PART No.	MILLER PART No.	STANCOR PART No.	WORKMAN PART No.	
L1	Loopstick	RS-3010					
L2	Osc.	RS-4054					
L3	1st IF	RS-3998					
L4	2nd IF	RS-3999					
L5	3rd IF	RS-4000					

DESCRIPTION

TRANSFORMER (DRIVER)

ITEM No.	TURNS RATIO		REPLACEMENT DATA					NOTES
			G. E. PART No.	MERIT PART No.	STANCOR PART No.	THORDARSON PART No.	TRIAD PART No.	
	PRI.	SEC.						
T1	2	1	RS-4001					

SPEAKER

ITEM No.	TYPE	REPLACEMENT DATA		NOTES
		G. E. PART No.	QUAM PART No.	
SP1	2" Magnetic 40Ω	RB-1292		

MISCELLANEOUS

ITEM No.	PART NAME	G. E. PART No.	NOTES
M2 M3	Tuning Cap Detector	RS-2972 RS-1811	

BATTERIES

ITEM No.	VOLTAGE	G. E. PART No.	REPLACEMENT DATA			NOTES
			BURGESS	EVEREADY	MALLORY	
M1	4.2 V		H133	E133N	TR-133	

CABINETS & CABINET PARTS

(When Ordering Specify Model, Chassis & Color)

ITEM	PART No.	ITEM	PART No.
Knob - Tuning	RS-3818	Cabinet Front	RB-1290
Knob - Volume	RS-4053	Cabinet Back	RB-1291

WIRING DATA

General-use Unshielded Hook-up Wire	Use BELDEN No. 8530 (Solid 22AWG)	Available
	8524 (Stranded 22AWG)	in
	8570 (Stranded 26AWG)	12 Colors