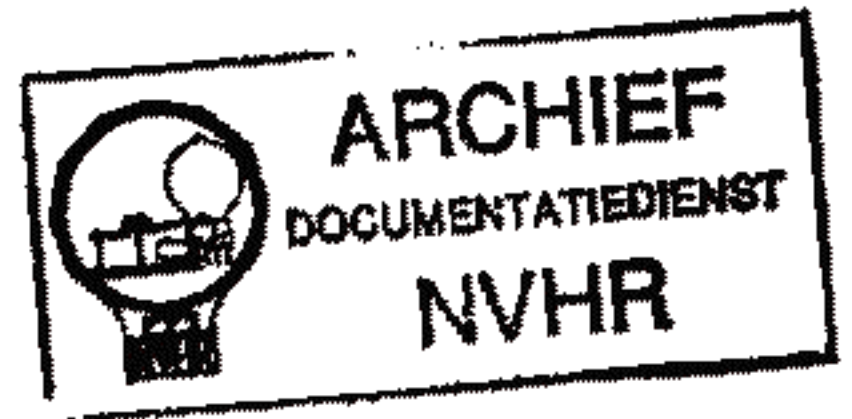




# PHOTOFACT<sup>®</sup> with

Met dank aan Jef Bos



TRADE NAME: General Electric Models P880A/B,  
P881A/B

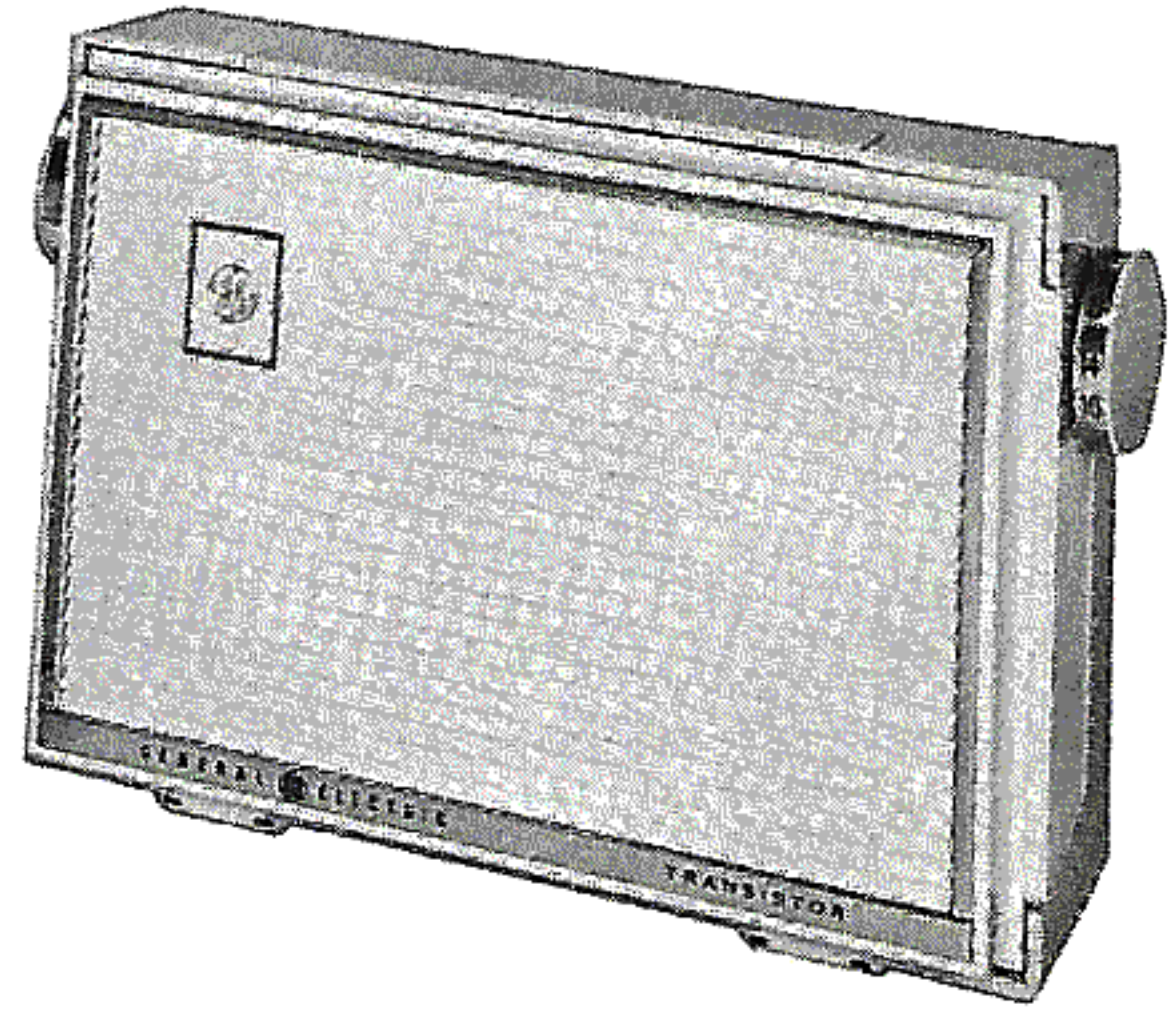
SUPPLIER: General Electric Company  
Product Service, Radio Receiver Dept.  
1001 Broad Street, Utica, N. Y.

TYPE SET: 5 Transistor AM Receiver

POWER SUPPLY: 105 - 120 VAC, 60 Cycles (or) 6VDC

RATING: 60MA@6VDC

TUNING RANGE: BROADCAST 535 - 1620KC



## ALIGNMENT INSTRUCTIONS

Check for specified source voltage.

Fashion loop of several turns of wire and connect generator across loop.

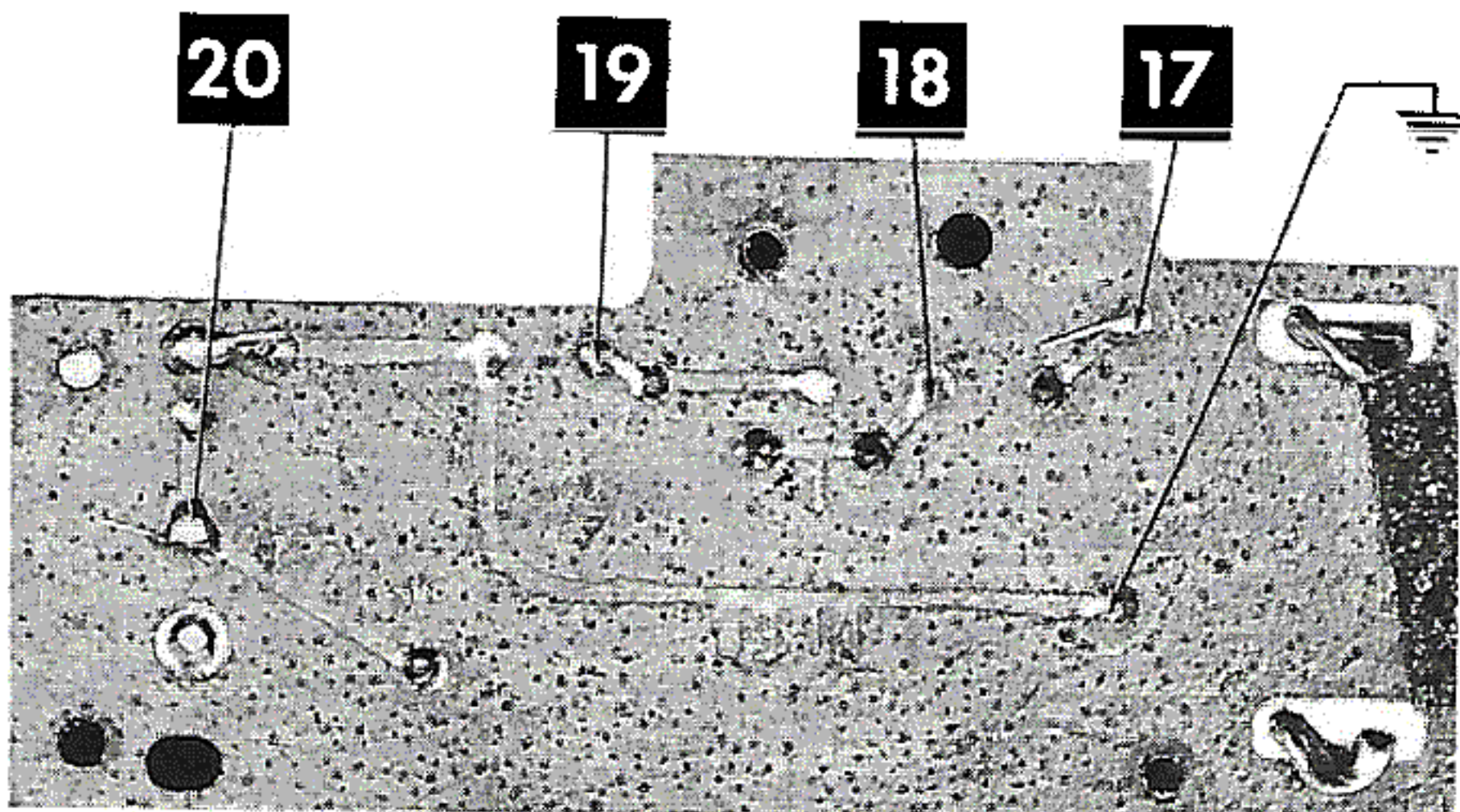
Adjust output of generator to radiate only enough signal into receiver to obtain a suitable indication.

Suggested Alignment Tools:

A1, A2, A3.....GENERAL CEMENT #5067, 8282, 8606  
WALSCO #2522, 2543

A4, A5.....GENERAL CEMENT #5000, 5066, 8290  
WALSCO #2512, 2525, 2528

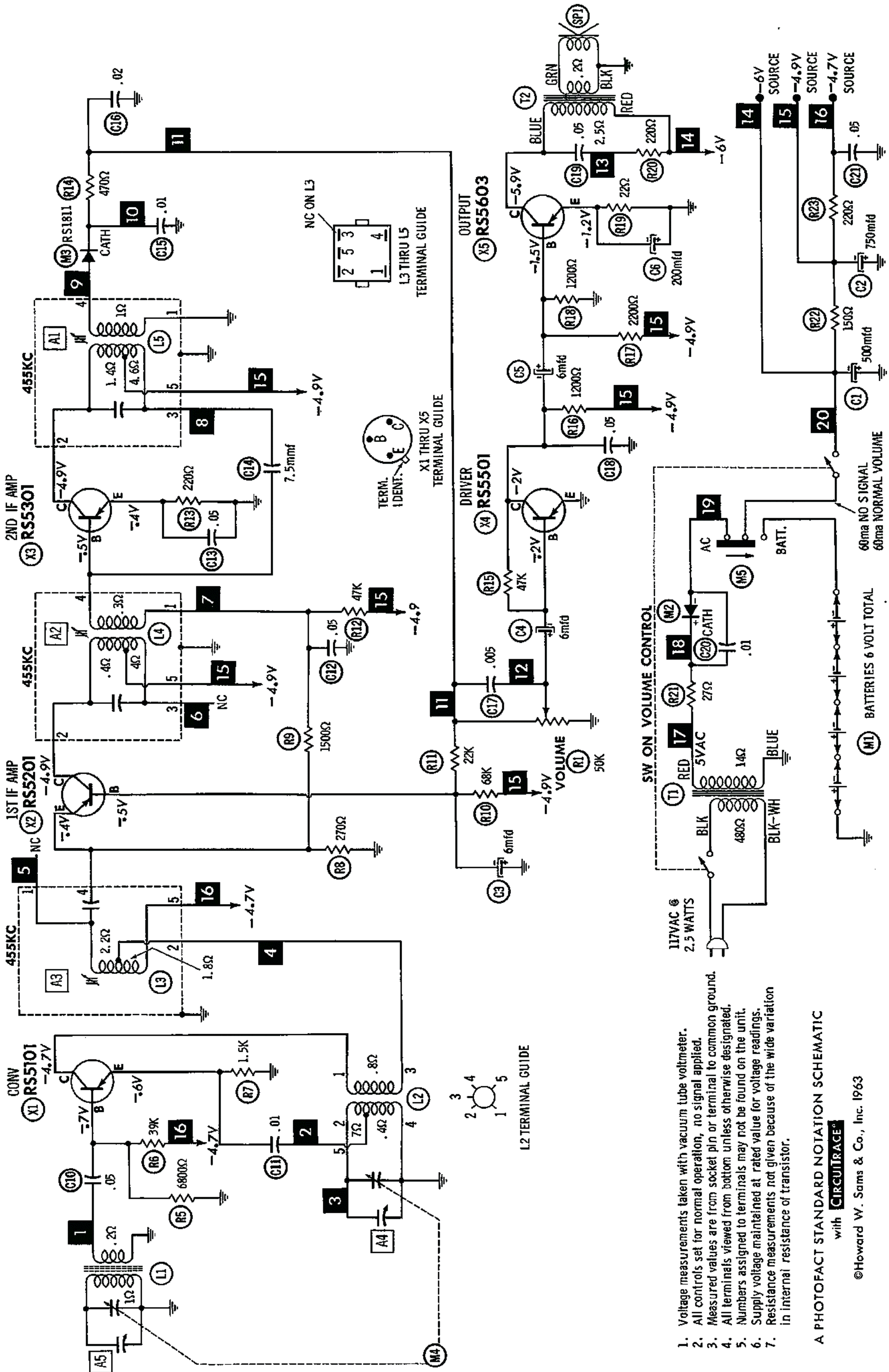
	SIGNAL GENERATOR FREQUENCY	RADIO DIAL SETTING	INDICATOR	ADJUST	REMARKS
1.	455KC (400v Mod.)	Tuning gang fully open.	Output Meter across voice coil.	A1, A2, A3	Adjust for maximum. Repeat as required.
2.	1620KC	"	"	A4	Adjust for maximum.
3.	1400KC	"	"	A5	Adjust for maximum.



A Howard W. Sams **CIRCUITRACE<sup>®</sup>** Photo

**HOWARD W. SAMS & CO., INC.** Indianapolis 6, Indiana





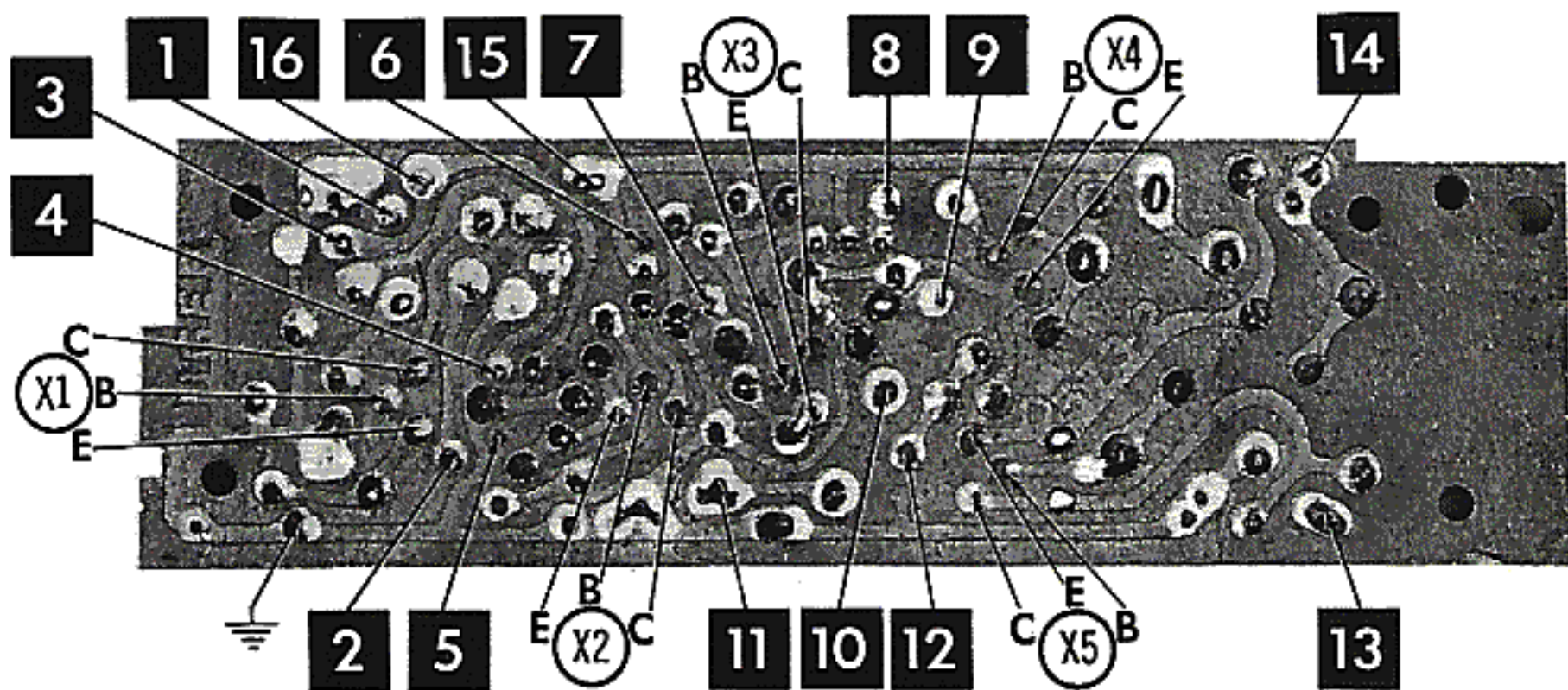
1. Voltage measurements taken with vacuum tube voltmeter.
2. All controls set for normal operation, no signal applied.
3. Measured values are from socket pin or terminal to common ground.
4. All terminals viewed from bottom unless otherwise designated.
5. Numbers assigned to terminals may not be found on the unit.
6. Supply voltage maintained at rated value for voltage readings.
7. Resistance measurements not given because of the wide variation in internal resistance of transistor.

A PHOTOFAC STANDARD NOTATION SCHEMATIC  
with **CIRCUITRAGE**

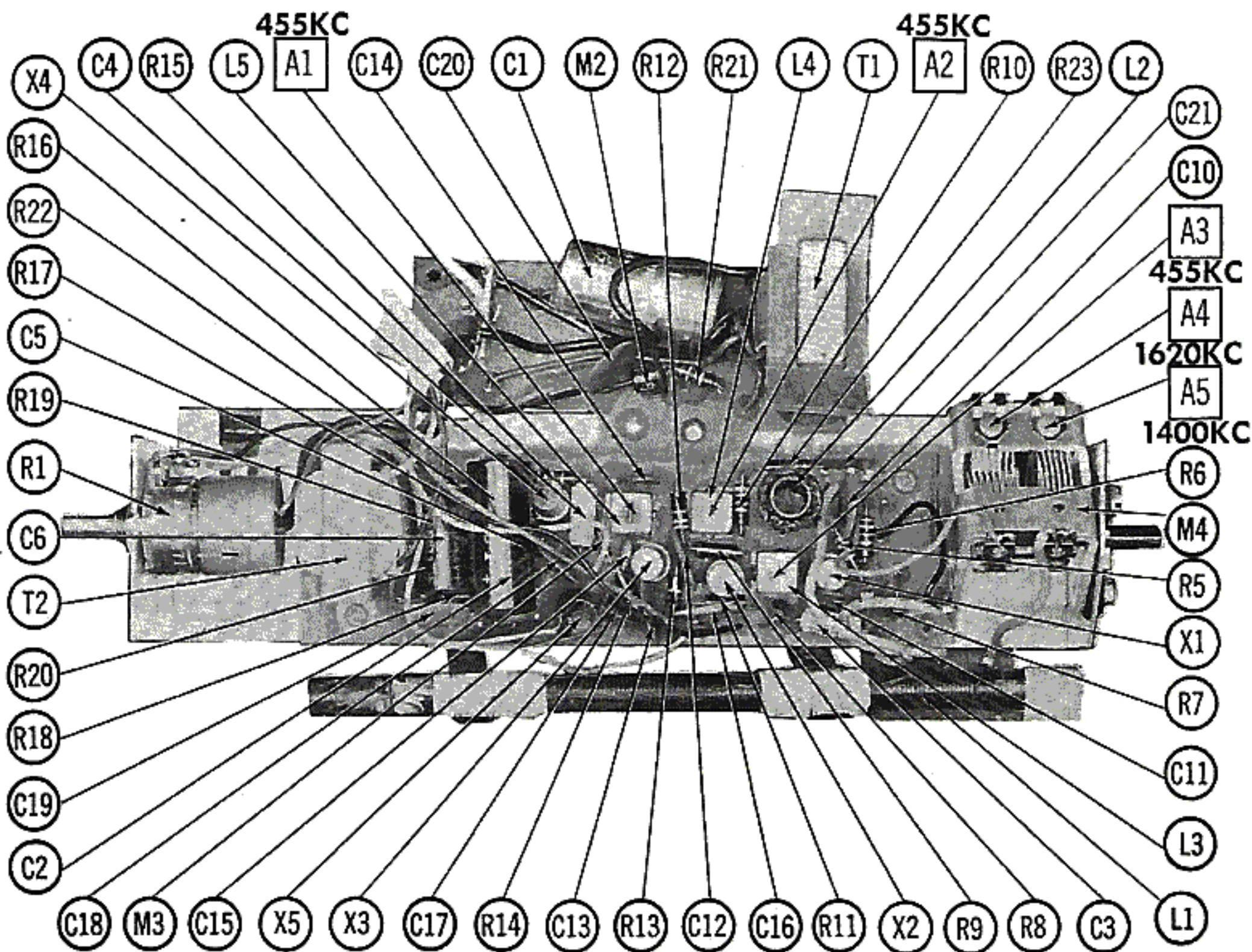
©Howard W. Sams & Co., Inc. 1963

**GENERAL ELECTRIC MODELS P880A/B, P881A/B**





A Howard W. Sams **CIRCUITRACE** Photo





## TRANSISTORS

ITEM No.	ORIG. TYPE	USE	REPLACEMENT DATA			NOTES
			DELCO PART No.	GENERAL ELECTRIC PART No.	RCA PART No.	
X1	RS-5101	Converter	DS-25	GE-1		PNP
X2	RS-5201	1st IF Amplifier	DS-25	GE-1		PNP
X3	RS-5301	2nd IF Amplifier	DS-25	GE-1		PNP
X4	RS-5501	Driver	DS-26	GE-2	2N408	PNP
X5	RS-5603	Output	DS-26	GE-2	2N408	PNP

## ELECTROLYTIC CAPACITORS

ITEM No.	RATING		REPLACEMENT DATA						
	CAP.	VOLT.	G. E. PART No.	AEROVOX PART No.	CORNELL-DUBILIER PART No.	GENERAL ELECTRIC PART No.	GENERAL INSTRUMENT PART No.	MALLORY PART No.	SPRAGUE PART No.
C1	500	15	RS-3781	PRS1220	BR500-15	QT1-30	TD-500-15	TC1505	TVA-1162
C2	750	10	RS-3530	PRS1170	BR500-12	QT1-32	TD-500-15	TC1505	TVA-1133
C3	8	15	RS-2614	PTT84	NLW6-15	MT1-5	BL1142	TT25X6	TE-1153
C4	6	15	RS-2614	PTT84	NLW6-15	MT1-5	BL1142	TT25X6	TE-1153
C5	8	15	RS-2614	PTT84	NLW6-15	MT1-5	BL1142	TT25X6	TE-1153
C6	200	4.5	RS-1814	PTT31	NLW200-12	MT1-24	MLV200-6	TT6X200	TE-1104

## FIXED CAPACITORS

ITEM No.	RATING	REMARKS	REPLACEMENT DATA					
			AEROVOX PART No.	CENTRALAB PART No.	CORNELL-DUBILIER PART No.	ELMENCO PART No.	MALLORY PART No.	SPRAGUE PART No.
C10	.05		TTD-05	CK-503	H5		TA-150	TG-S50
C11	.01		TTD-01	CK-103	H2		TA-110	TG-S10
C12	.05		TTD-05	CK-503	H5		TA-150	TG-S50
C13	.05		TTD-05	CK-503	H5		TA-150	TG-S50
C14	7.5			DD-7R7	LA10V8		GP580	10TS-V75
C15	.01		TTD-01	CK-103	H2		TA-110	TG-S10
C16	.02		TTD-02	CK-203	H3		TA-120	TG-S20
C17	.005		TTD-005	CK-502	H1		TA-250	TG-D50
C18	.05		TTD-05	CK-503	H5		TA-150	TG-S50
C19	.05		TTD-05	CK-503	H5		TA-150	TG-S50
C20	.01		TTD-01	CK-103	H2		TA-110	TG-S10
C21	.05		TTD-05	CK-503	H5		TA-150	TG-S50

## CONTROLS

All wattages 1/2 watt, or less, unless otherwise listed.

ITEM No.	USE	RESISTANCE	REPLACEMENT DATA				
			G. E. PART No.	CENTRALAB PART No.	CLAROSTAT PART No.	CTS-IRC PART No.	MALLORY PART No.
R1	Volume & Switch	50K	RS-4348 ①	F1-50K, KR-2, SU204	A47-50K-S, SWE-20, FS-3	Q11-123, 76-2, or (BU1, CF12, SS1, WF)*	UA54L, US42, or (RU54L, US42, SF1000 or (U-35, US27, SF1000)

① Part #RS-3784 in "A" version.

\* "SNAPTROL"

## COILS (RF-IF)

ITEM No.	USE	REPLACEMENT DATA					NOTES
		G. E. PART No.	MERIT PART No.	MILLER PART No.	STANCOR PART No.	WORKMAN PART No.	
L1	Loopstick	RS-3785					
L2	Osc.	RS-3585					
L3	1st IF	RS-2977					
L4	2nd IF	RS-3567					
L5	3rd IF	RS-2979					

# DESCRIPTION

## TRANSFORMER (POWER)

ITEM No.	RATING			REPLACEMENT DATA					NOTES
	PRI.	SEC. 1	SEC. 2	G. E. PART No.	MERIT PART No.	STANCOR PART No.	THORDARSON PART No.	TRIAD PART No.	
T1	117VAC Ⓢ .021A	5VAC Ⓢ .060A DC		RS-3782					

## TRANSFORMER (AUDIO OUTPUT)

ITEM No.	IMPEDANCE		REPLACEMENT DATA					NOTES
	PRI.	SEC.	G. E. PART No.	MERIT PART No.	STANCOR PART No.	THORDARSON PART No.	TRIAD PART No.	
T2	100Ω CT	3-4Ω	RS-3786					

## SPEAKER

ITEM No.	TYPE	REPLACEMENT DATA		NOTES
		G. E. PART No.	QUAM PART No.	
SPI	4" PM 3-4Ω	RB-1284	4A1	

## BATTERIES

ITEM No.	VOLTAGE	G. E. PART No.	REPLACEMENT DATA			NOTES
			BURGESS	EVEREADY	MALLORY	
M1	6		230 (or AL-2)	A100 (or E95)	M-13R (or MNI300)	4 Required

## POWER RECTIFIERS

ITEM No.	MEASURED CURRENT	ORIGINAL Part or Type No.	RECTIFIERS		
			MALLORY PART No.	RCA PART No.	SARKES TARZIAN PART No.
M2	60MA	RS-3570	A50	1N2858	2F4

## MISCELLANEOUS

ITEM No.	PART NAME	G. E. PART No.	NOTES
M3 M4 M5	Detector Tuning Cap. Switch (AC-Battery)	RS-1811 RS-4347 RS-2258	Part #RS-3783 used in "A" Versions

## CABINETS & CABINET PARTS

(When Ordering Specify Model, Chassis & Color)

ITEM	PART No.	ITEM	PART No.
Knob - Tuning, Model P880A	RS-3766	Knob - Volume, Model P880B	RS-4351
Knob - Tuning, Model P880B	RS-4349	Knob - Volume, Model P881A	RS-3769
Knob - Tuning, Model P881A	RS-3767	Knob - Volume, Model P881B	RS-4352
Knob - Tuning, Model P881B	RS-4350	Cabinet, Model P880A	RB-1282
Knob - Volume, Model P880A	RS-3768	Cabinet, Model P881A	RB-1283

## WIRING DATA

General-use Unshielded Hook-up Wire .....	Use BELDEN No. 8530 (Solid 22AWG)	Available
	8524 (Stranded 22AWG)	in
	8570 (Stranded 26AWG)	12 Colors