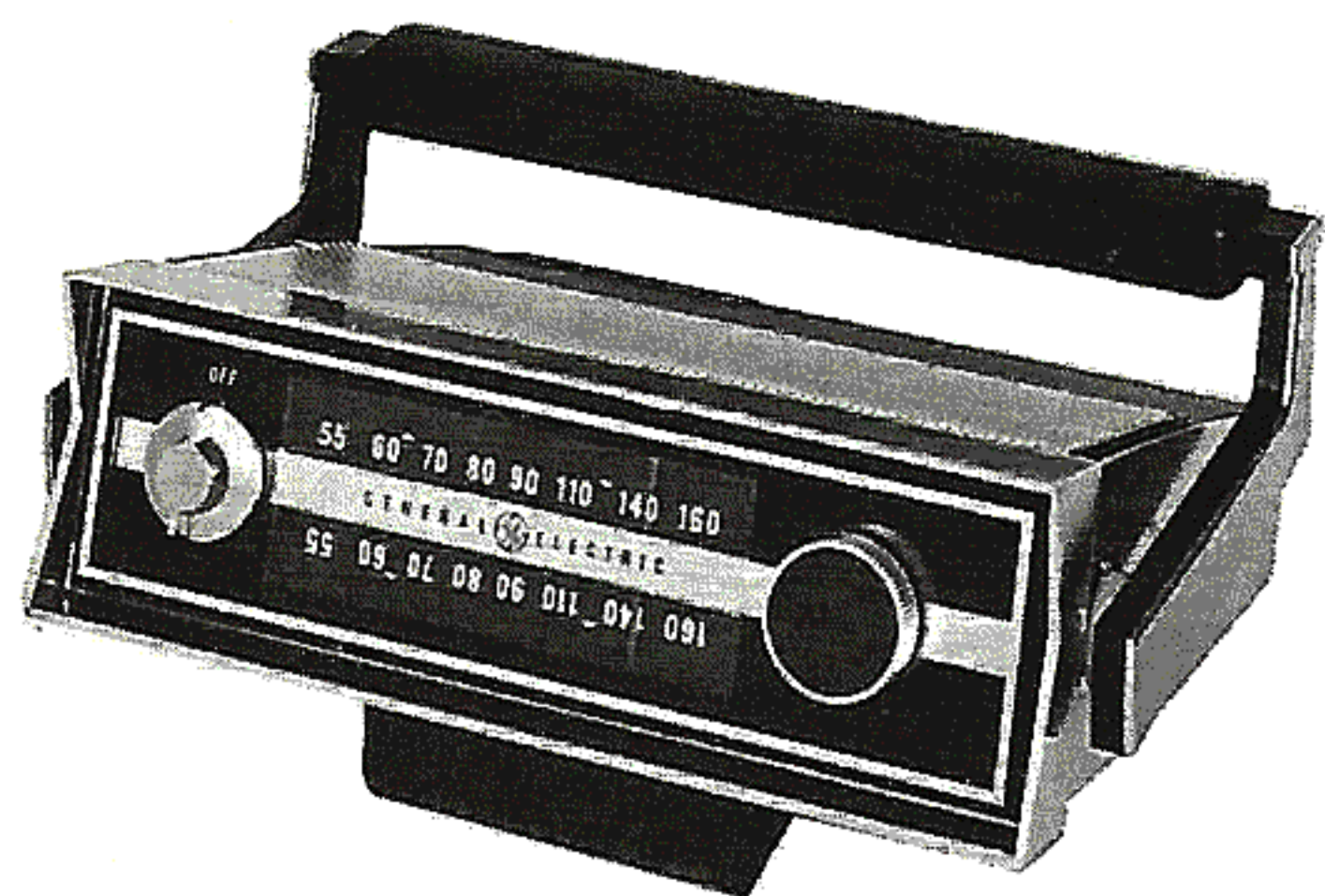


# PHOTOFACT<sup>®</sup> with

# CIRCUITRACE<sup>®</sup>

Met dank aan Jef Bos



TRADE NAME: General Electric Model P871A  
 SUPPLIER: General Electric Product Service-Radio Receiver Dept., 1001 Broad St., Utica, N. Y.  
 TYPE SET: 8 Transistor AM Receiver  
 POWER SUPPLY: 4.5Volts DC  
 RATING: 30ma @ 4.5VDC (No Signal)  
 38ma @ 4.5VDC (Normal Signal)  
 TUNING RANGE: BROADCAST 540-1630KC

Ned. Ver. v. Historie v/d



## ALIGNMENT INSTRUCTIONS

Check for specified source voltage.

Fashion loop of several turns of wire and connect generator across loop.

Adjust output of generator to radiate only enough signal into receiver to obtain a suitable indication.

Suggested Alignment Tools: A1 thru A4, A6

GENERAL CEMENT #5067, 8282, 8606

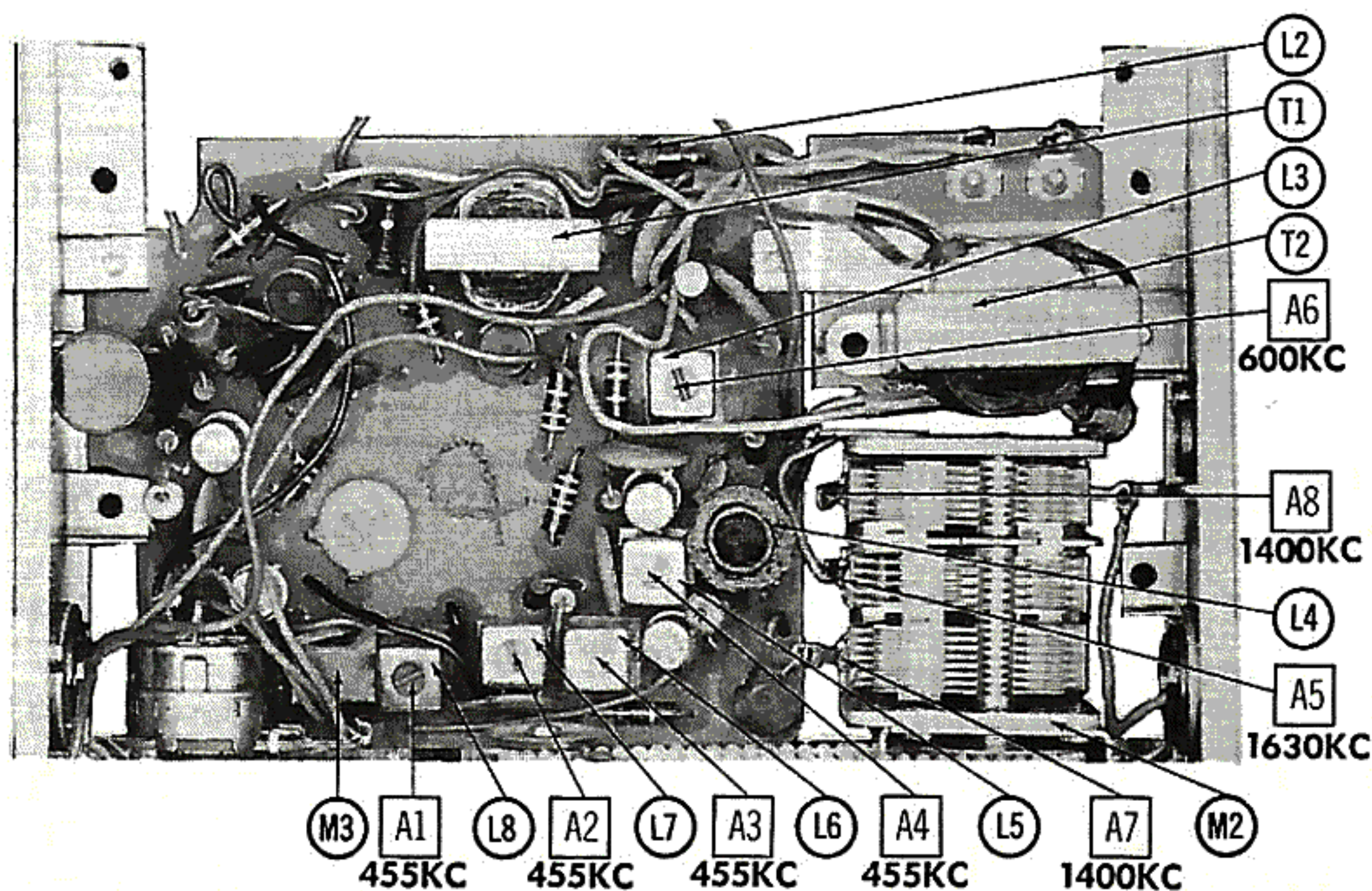
WALSCO #2526, 2543

A5, A7, A8

GENERAL CEMENT #5000, 5066, 8290

WALSCO #2512, 2525, 2528

	SIGNAL GENERATOR FREQUENCY	RADIO DIAL SETTING	INDICATOR	ADJUST	REMARKS
1.	455KC (400v Mod.)	Tuning gang fully open.	Output Meter across voice coil.	A1, A2, A3, A4	Adjust for maximum. Repeat as required.
2.	1630KC	"	"	A5	Adjust for maximum.
3.	600KC	Tune to Signal.	"	A6	Rock tuning gang and adjust for maximum. Repeat steps 2 and 3.
4.	1400KC	"	"	A7, A8	Adjust for maximum.



**HOWARD W. SAMS & CO., INC.** Indianapolis 6, Indiana

## TRANSISTORS

ITEM No.	ORIG. TYPE	USE	REPLACEMENT DATA			NOTES
			DELCO PART No.	GENERAL ELECTRIC PART No.	RCA PART No.	
X1	RS1554	RF Amplifier	DS25	GE1		PNP PNP PNP PNP PNP NPN Some versions use PNP in this application.
X2	RS6103	Converter	DS25	GE1		
X3	RS5203	1st IF Amp.	DS25	GE1		
X4	RS5303	2nd IF Amp.	DS25	GE1		
X5	RS5402	AF Amp.	DS26	GE2		
X6	RS3293	Driver		GE8		
X7	RS5708-2	Output	DS26	GE2	2N408	PNP Some versions use NPN in this application.
X8	RS5708-2	Output	DS26	GE2	2N408	

## ELECTROLYTIC CAPACITORS

ITEM No.	RATING		G. E. PART No.	AEROVOX PART No.	CORNELL-DUBILIER PART No.	GENERAL ELECTRIC PART No.	GENERAL INSTRUMENT PART No.	MALLORY PART No.	SPRAGUE PART No.
	CAP.	VOLT.							
C1	750	6	RS-3336				BL2320		
C2	6	15	RS-2614 (113A7299-2)	CRE455	NLW6-15	MT1-5	BL1142	TT25X6	TE-1153
C3	2	25	RS-2615 (113A7299-1)	PTT75	NLW2-50	MT1-1	BL1160	TT50X2	TE-1201
C4	2①	25	RS-2615 (113A7299-1)	PTT75①	NLW2-50①	MT1-1①	BL1160①	TT50X2①	TE-1201①

① Installed in reverse direction when X6 is PNP transistor

## FIXED CAPACITORS

ITEM No.	RATING		REMARKS	REPLACEMENT DATA					
				AEROVOX PART No.	CENTRALAB PART No.	CORNELL-DUBILIER PART No.	ELMENCO PART No.	MALLORY PART No.	SPRAGUE PART No.
C10	.05	100V		TTD-05	CK-503	H5		TA-150	TG-S50
C11	.05	100V		TTD-05	CK-503	H5		TA-150	TG-S50
C12	.05	100V		TTD-05	CK-503	H5		TA-150	TG-S50
C13	.01	100V		TTD-01	CK-103	H2		TA-110	TG-S10
C14	.05	100V		TTD-05	CK-503	H5		TA-150	TG-S50
C15	2mmf		10% #RS-3243						
C16	.05			TTD-05	CK-503	H5		TA-150	TG-S50
C17	9mmf	NPO	10% #RS-3425	NPO-D18.2	DTZ-10	C10Q1C	CCTO-100	CNO-410	10TCC-V82
C18	.05	100V		TTD-05	CK-503	H5		TA-150	TG-S50
C19	.05	100V		TTD-05	CK-503	H5		TA-150	TG-S50
C20	.01			TTD-01	CK-103	H2		TA-110	TG-S10
C21	.02			TTD-02	CK-203	H3		TA-120	TG-S20
C22	.003	100V			DM-302				
C23	.001				DM-102				
C24	.1	10V		TTD-1	CK-104	H6		TA-010	TG-P10

## CONTROLS

All wattages 1/2 watt, or less, unless otherwise listed.

ITEM No.	USE	RESISTANCE	REPLACEMENT DATA				
			G. E. PART No.	CENTRALAB PART No.	CLAROSTAT PART No.	CTS-IRC PART No.	MALLORY PART No.
R1	Volume and Switch	50K	RS-3408	F1-50K, KR-1 SU212	A47-50K-S RS-3/16, SWF-12	B11-123, SK9, 76-1 or (BUL, CF12, SS4, GC)*	UA54L, SD3500, US41 or RU54L, SL-35, IS750, US41

# DESCRIPTION

## TRANSFORMER (DRIVER)

ITEM No.	TURNS RATIO		REPLACEMENT DATA					NOTES
			G. E. PART No.	MERIT PART No.	STANCOR PART No.	THORDARSON PART No.	TRIAD PART No.	
	PRI.	SEC.						
T1	1	1	RS-4061					

## COILS (RF-IF)

ITEM No.	USE	REPLACEMENT DATA					NOTES
		G. E. PART No.	MERIT PART No.	MILLER PART No.	STANCOR PART No.	WORKMAN PART No.	
L1	Choke (100uh)	RS-3837①					①Wound on 1 meg res.
L2	Loopstick	RS-4057					
L3	RF	RS-3333					
L4	Osc.	RS-3401					
L5	1st IF	RS-2977					
L6	2nd IF	RS-3424					
L7	3rd IF	RS-3250					
L8	4th IF	RS-2979					

## TRANSFORMER (AUDIO OUTPUT)

ITEM No.	IMPEDANCE		REPLACEMENT DATA					NOTES
			G. E. PART No.	MERIT PART No.	STANCOR PART No.	THORDARSON PART No.	TRIAD PART No.	
	PRI.	SEC.						
T2	100Ω CT	6-8Ω	RS-4062					

## SPEAKER

ITEM No.	TYPE	REPLACEMENT DATA		NOTES
		G. E. PART No.	QUAM PART No.	
SP1	3½ PM	6-8Ω	RB-1315	

## BATTERIES

ITEM No.	VOLTAGE	G. E. PART No.	REPLACEMENT DATA			NOTES
			BURGESS	EVEREADY	MALLORY	
M1	1½V		130 (AL-1)	635 (E93)	M-14R (MN1400)	3 Used

## MISCELLANEOUS

ITEM No.	PART NAME	G. E. PART No.	NOTES
M2	Tuning Cap	RS-4063	3 Gang
M3	Det-AVC Diode	RS-1811	

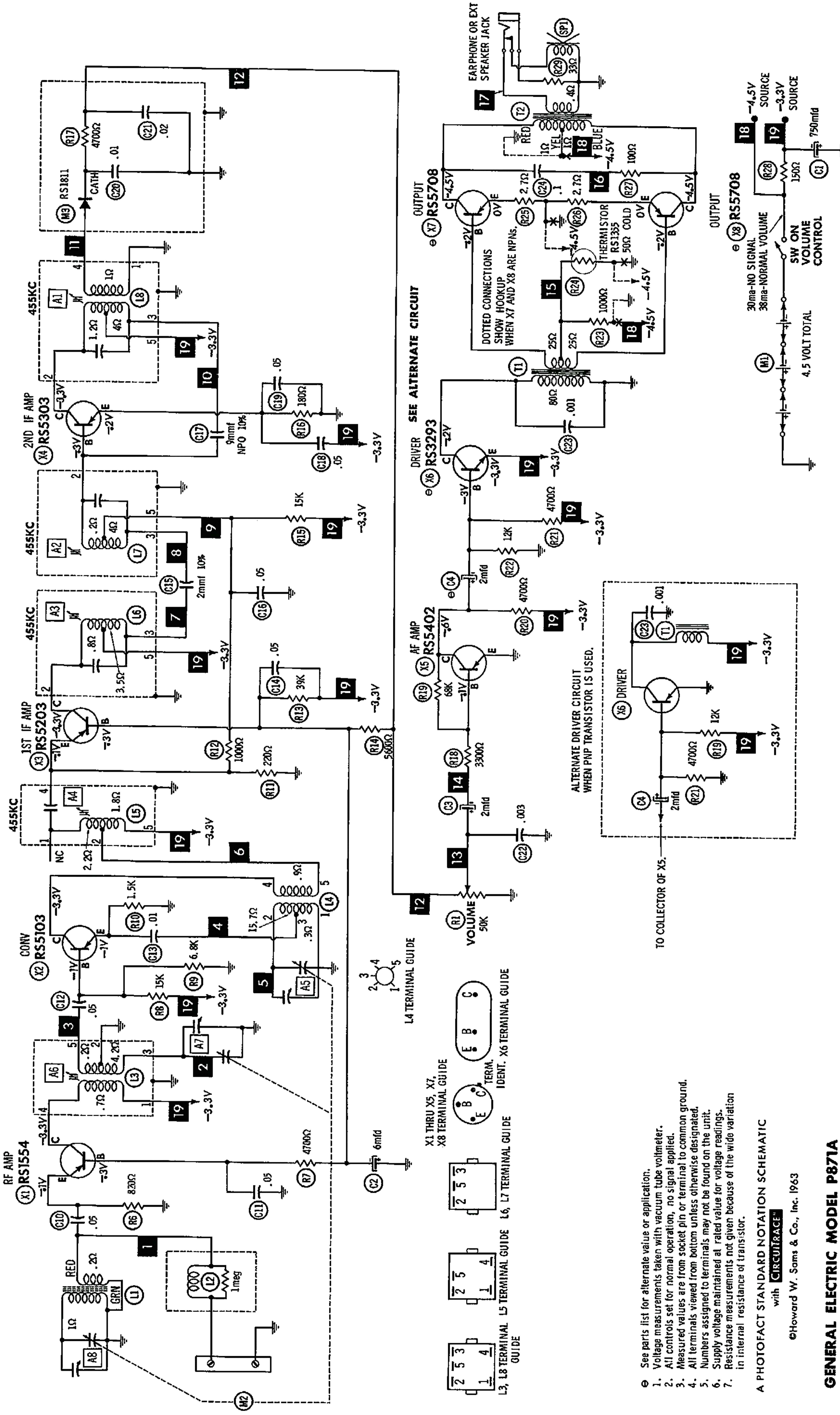
## CABINETS & CABINET PARTS

(When Ordering Specify Model, Chassis & Color)

ITEM	PART No.	ITEM	PART No.
Dial Chain	RS-3381	Knob, Tuning	RS-3373
Dial Pointer	RS-3495	Cabinet Top with Nameplate	RB-1230
Dial Glass	RS-3371	Cabinet Front	RB-1305
Knob, Volume	RS-4139	Cabinet Bottom with Grille Cloth	RB-1306

## WIRING DATA

General-use Unshielded Hook-up Wire ..... Use BELDEN No. 8530 (Solid 22AWG) Available  
 8524 (Stranded 22AWG) in  
 8570 (Stranded 26AWG) 12 Colors



- ⊙ See parts list for alternate value or application.
- 1. Voltage measurements taken with vacuum tube voltmeter.
- 2. All controls set for normal operation, no signal applied.
- 3. Measured values are from socket pin or terminal to common ground.
- 4. All terminals viewed from bottom unless otherwise designated.
- 5. Numbers assigned to terminals may not be found on the unit.
- 6. Supply voltage maintained at rated value for voltage readings.
- 7. Resistance measurements not given because of the wide variation in internal resistance of transistor.

A PHOTOFACT STANDARD NOTATION SCHEMATIC  
with **CIRCUITRACE**

©Howard W. Sams & Co., Inc. 1963

**GENERAL ELECTRIC MODEL P871A**

