

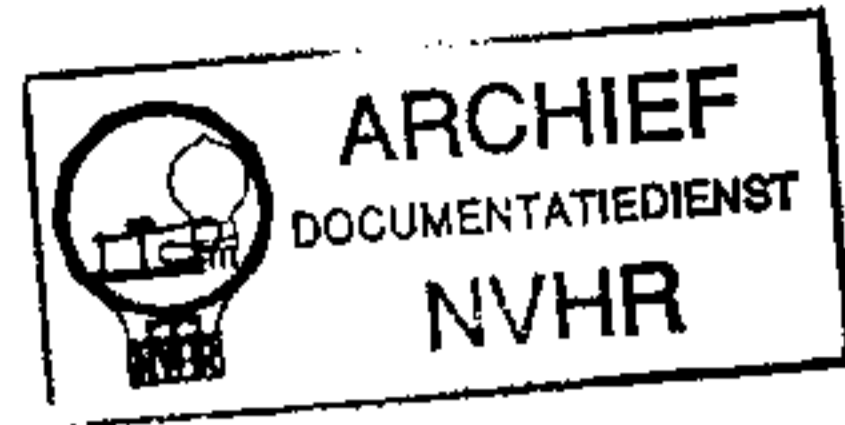
PHOTOFACT® Folder

with CIRCUITRACE®

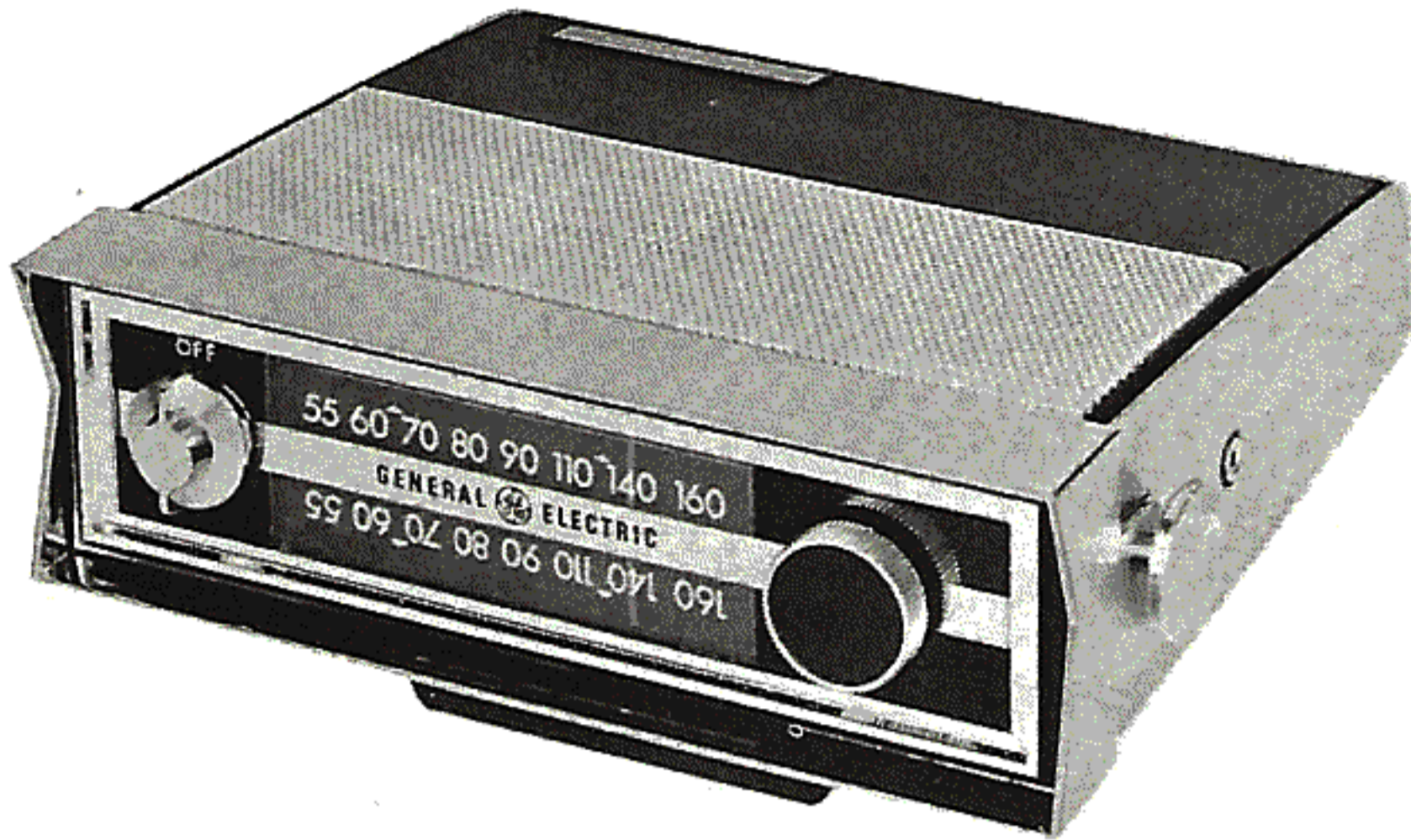
GENERAL ELECTRIC  
MODEL P870A



Ned. Ver. v. Historie v/d Radio



Met dank aan Jef Bos



TRADE NAME	General Electric Model P870A		
MANUFACTURER	General Electric Co., Product Service, Radio Receiver Dept., 1001 Broad Street, Utica, N. Y.		
TYPE SET	Battery Operated Transistorized Portable AM Receiver		
POWER SUPPLY	4.5 Volts DC	RATING	25MA @ 4.5 Volts DC (No Signal, Min. Volume)
TUNING RANGE	BROADCAST 535 - 1630KC		40MA @ 4.5 Volts DC (Signal, Normal Volume)

## ALIGNMENT INSTRUCTIONS

### ALIGNMENT INSTRUCTIONS—READ CAREFULLY BEFORE ATTEMPTING ALIGNMENT

Volume control should be at maximum position. . Output of signal generator should be no higher than necessary to obtain an output reading.

Suggested Alignment Tools: A1 thru A4, A8 ... GENERAL CEMENT #8607, 9291, 9294  
 WALSCO #2520, 2522, 2523, 2524, 2534, 2537  
 A5, A6, A7 ..... GENERAL CEMENT #5004, 5009, 8195, 8274, 8275, 8607, 8728, 8987,  
 8988, 8989, 9291  
 WALSCO #2515, 2520, 2522, 2523, 2531, 2532, 2534, 2537, 2538

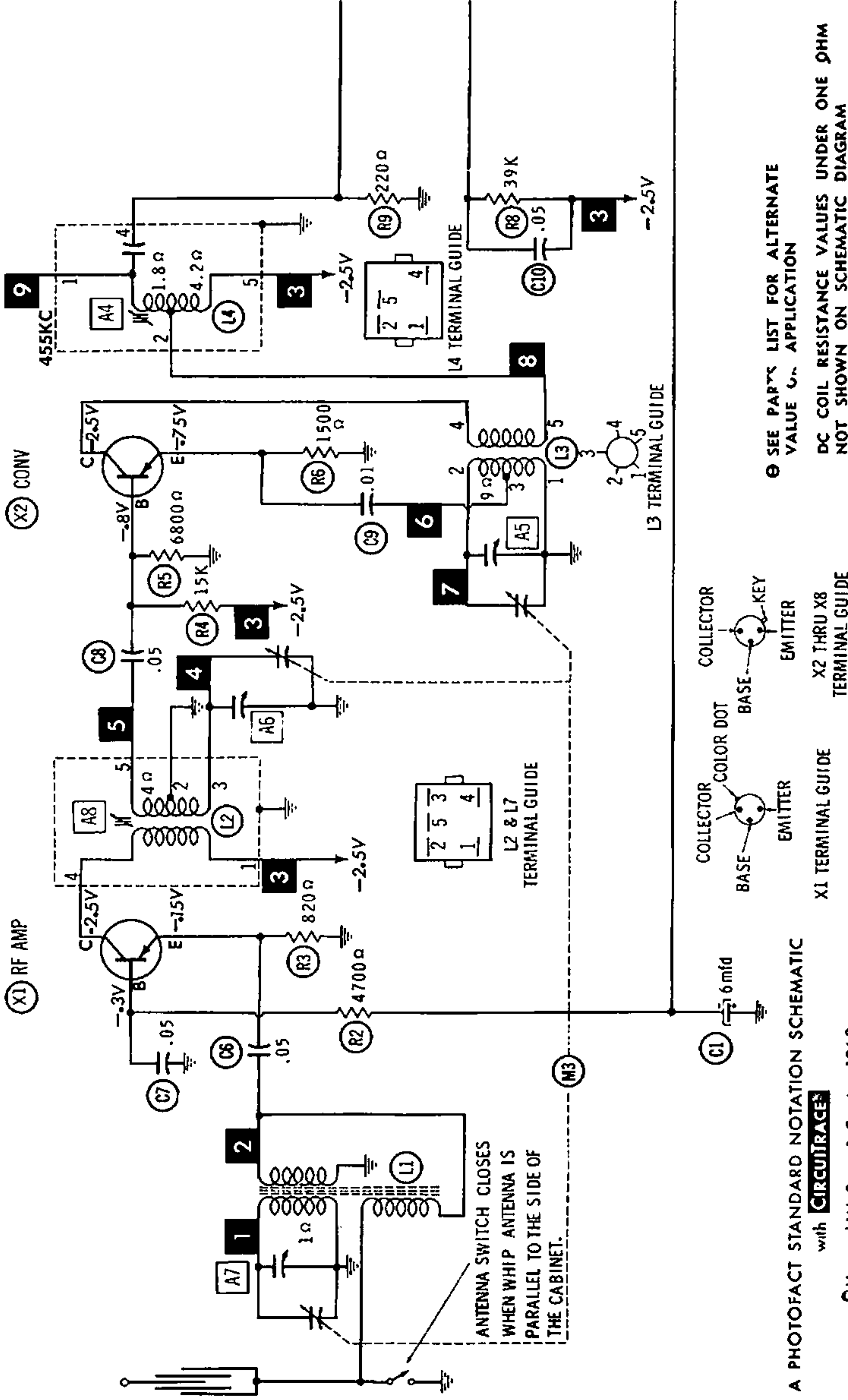
	SIGNAL GENERATOR COUPLING	SIGNAL GENERATOR FREQUENCY	RADIO DIAL SETTING	CONNECT VTVM	ADJUST	REMARKS
1.	Fashion loop of several turns of wire and radiate signal into loop of receiver.	455KC (Unmod.)	Tuning gang fully closed	DC probe to high side of volume control. Common to chassis.	A1, A2, A3, A4	Adjust for maximum deflection.
2.	"	1630KC	"	"	A5	Adjust for maximum deflection while rocking tuning gang.
3.	"	1400KC	1400KC Signal	"	A6, A7	Adjust for maximum deflection.
4.	"	580KC	580KC Signal	"	A8	Adjust for maximum deflection. Repeat steps 2, 3 and 4.

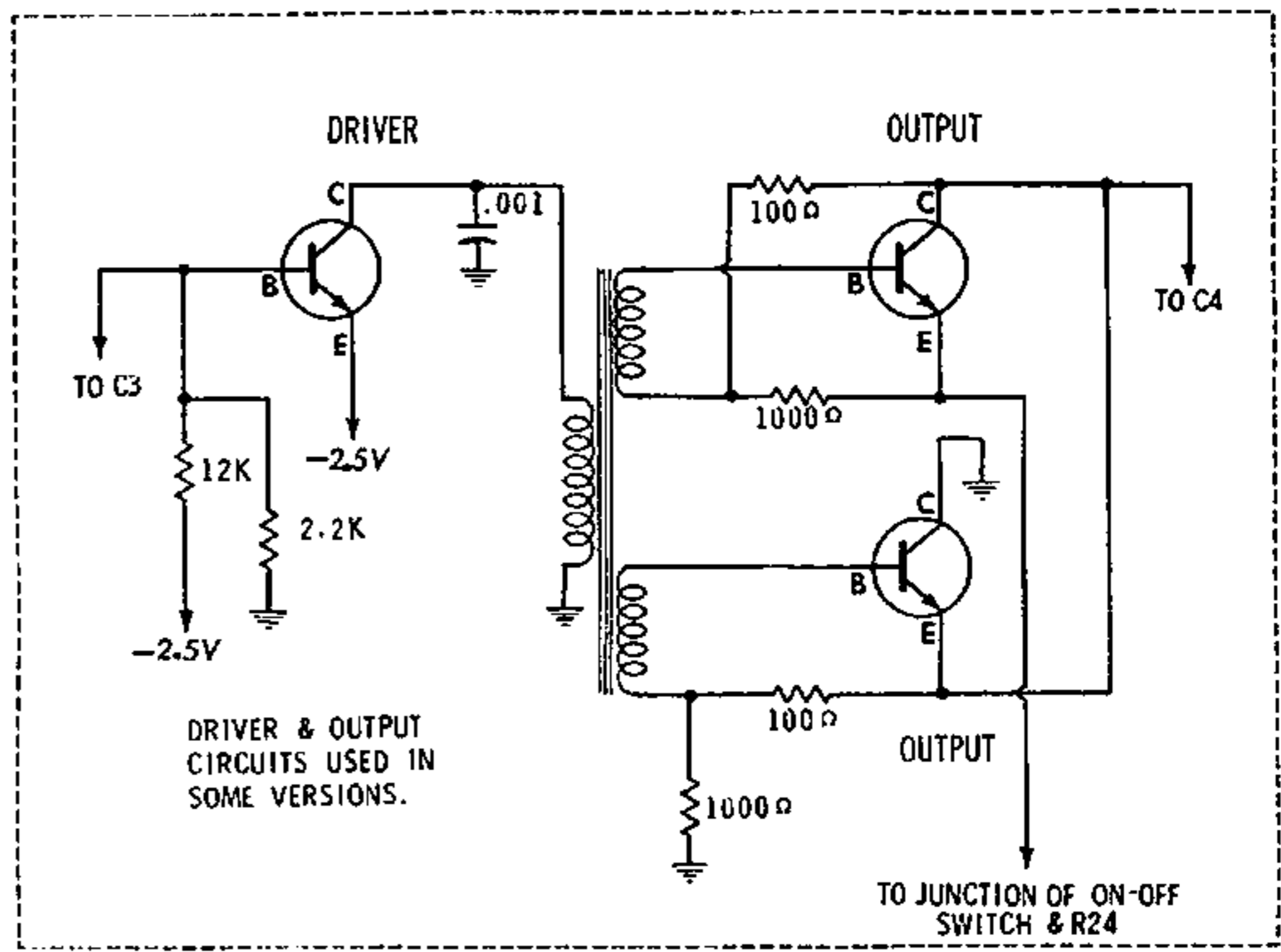
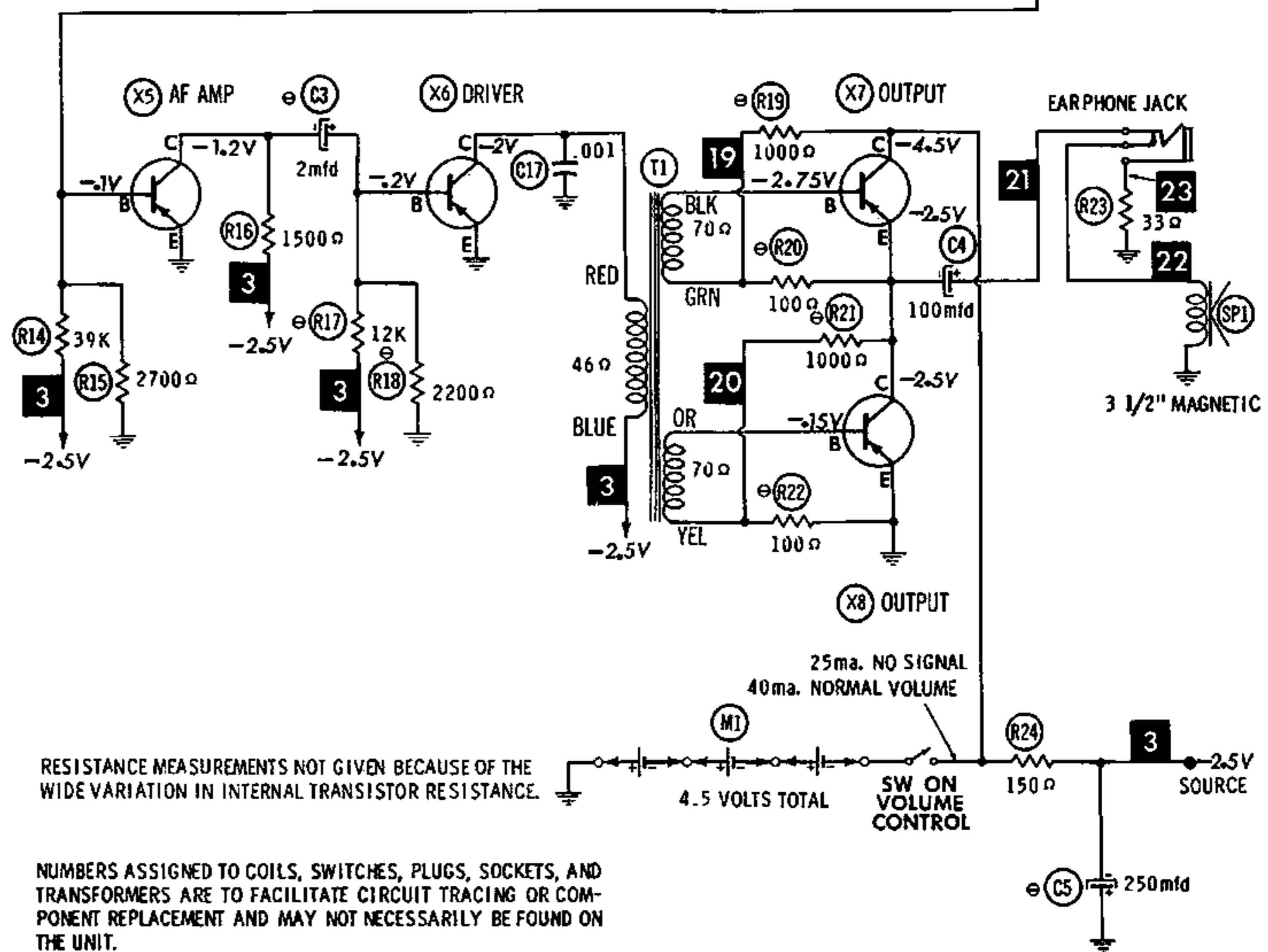
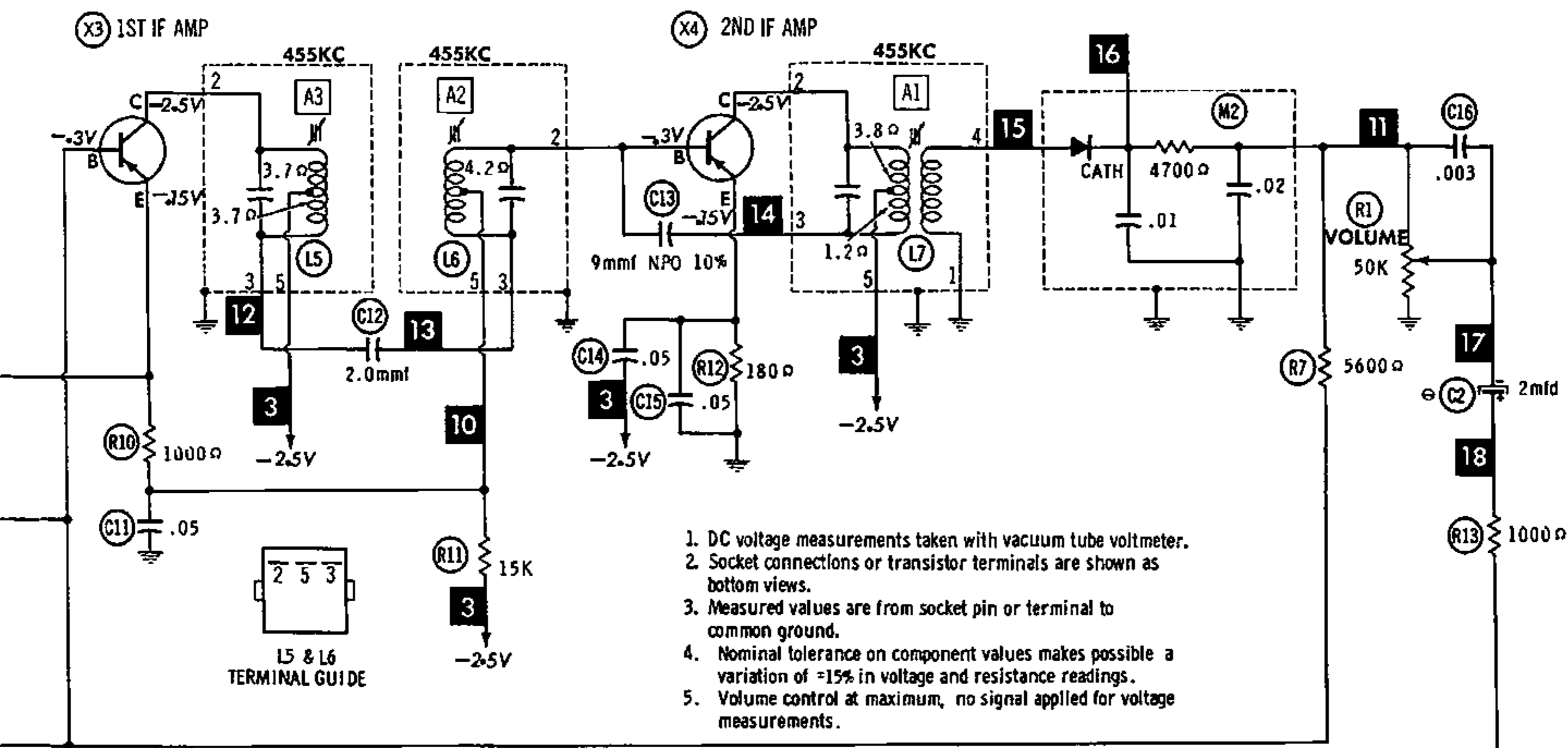
**HOWARD W. SAMS & CO., INC.** Indianapolis 6, Indiana

The listing of any available replacement part herein does not constitute in any case a recommendation, warranty or guaranty by Howard W. Sams & Co., Inc., as to the quality and suitability of such replacement part. The numbers of these parts have been compiled from information furnished to Howard W. Sams & Co., Inc., by the manufacturers of LF 271

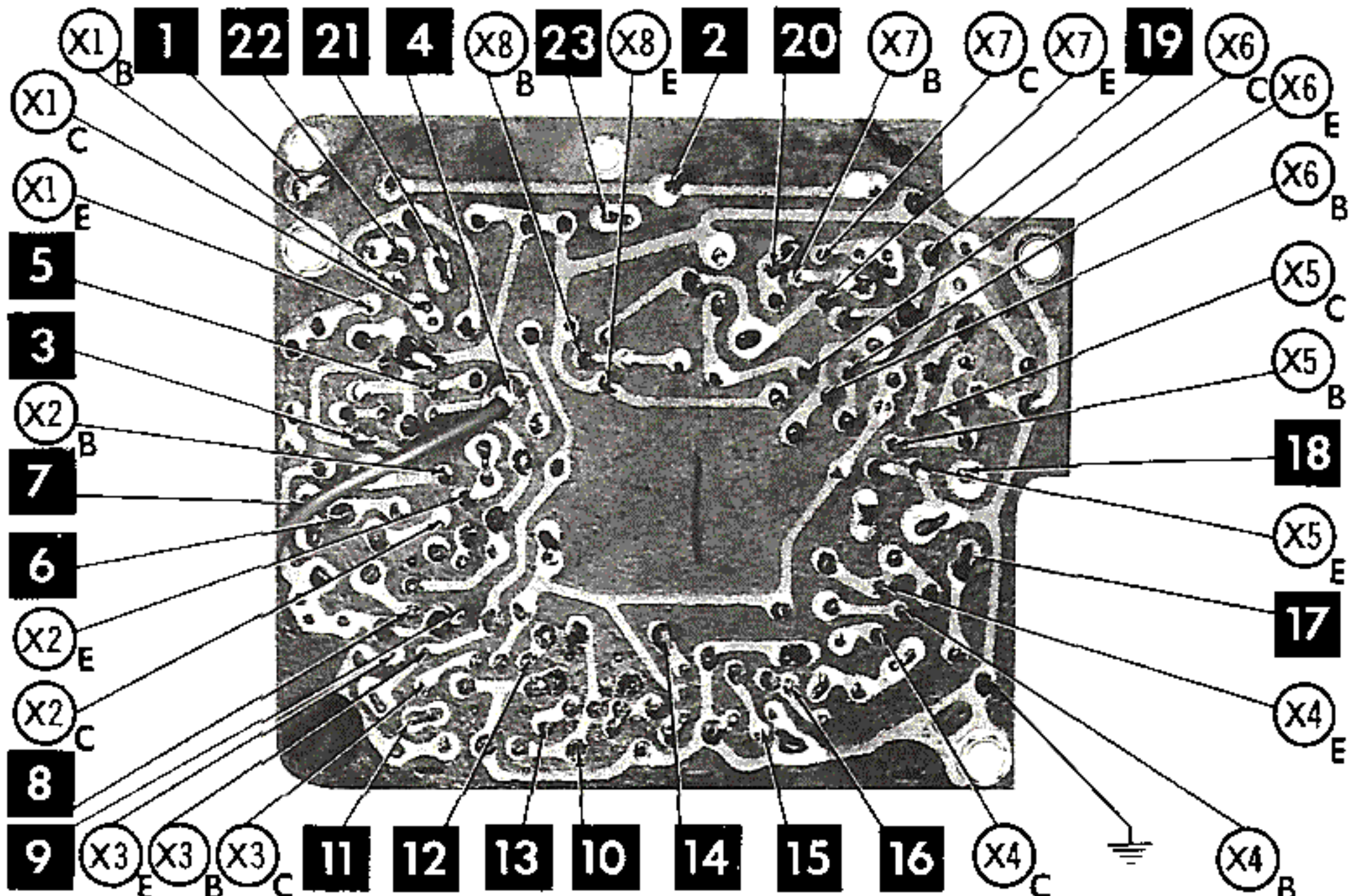
the particular type of replacement part listed. Reproduction or use, without express permission, of editorial or pictorial content, in any manner, is prohibited. No patent liability is assumed with respect to the use of the information contained herein. ©1962 Howard W. Sams & Co., Inc., Indianapolis 6, Indiana. Printed in U.S. of America





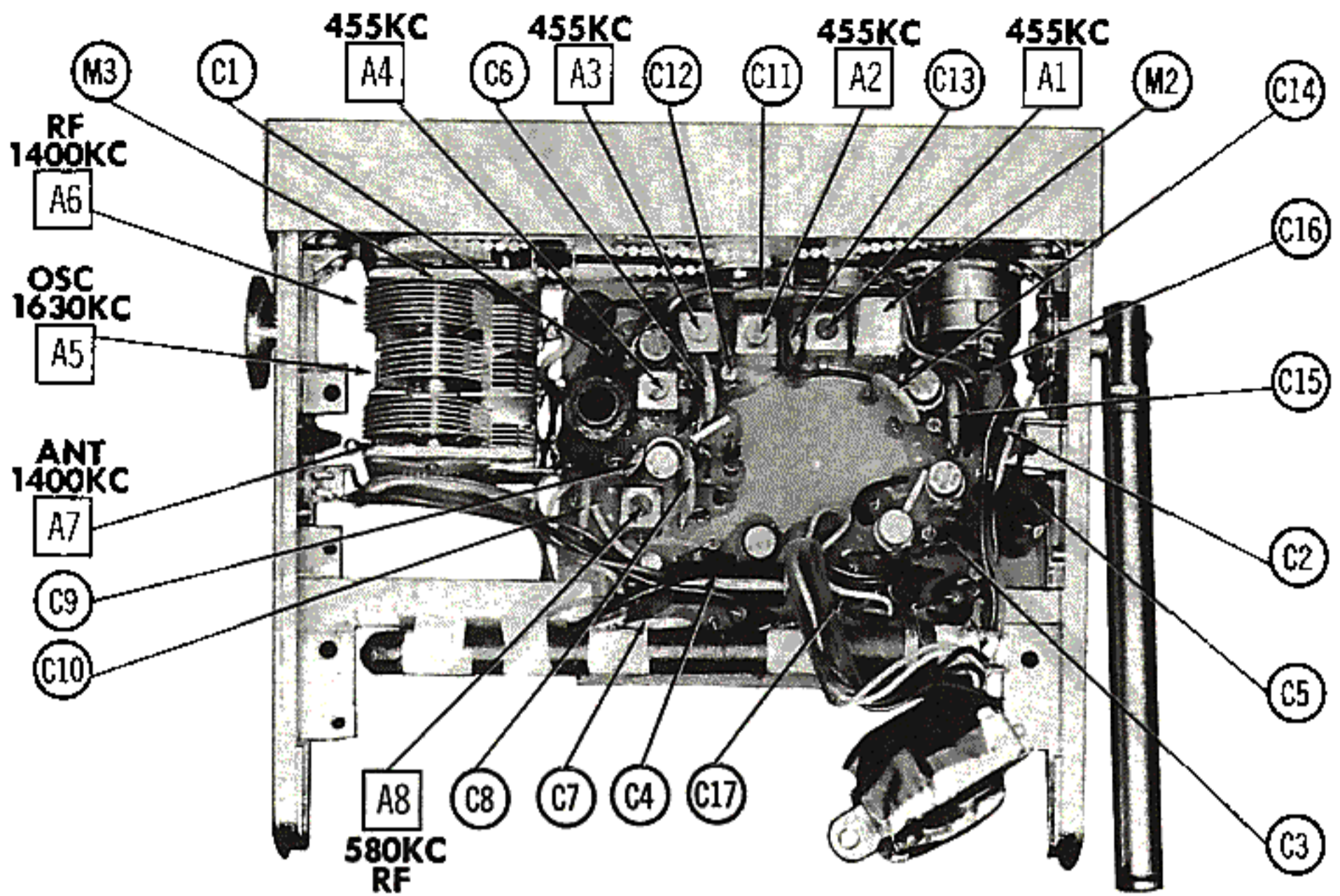




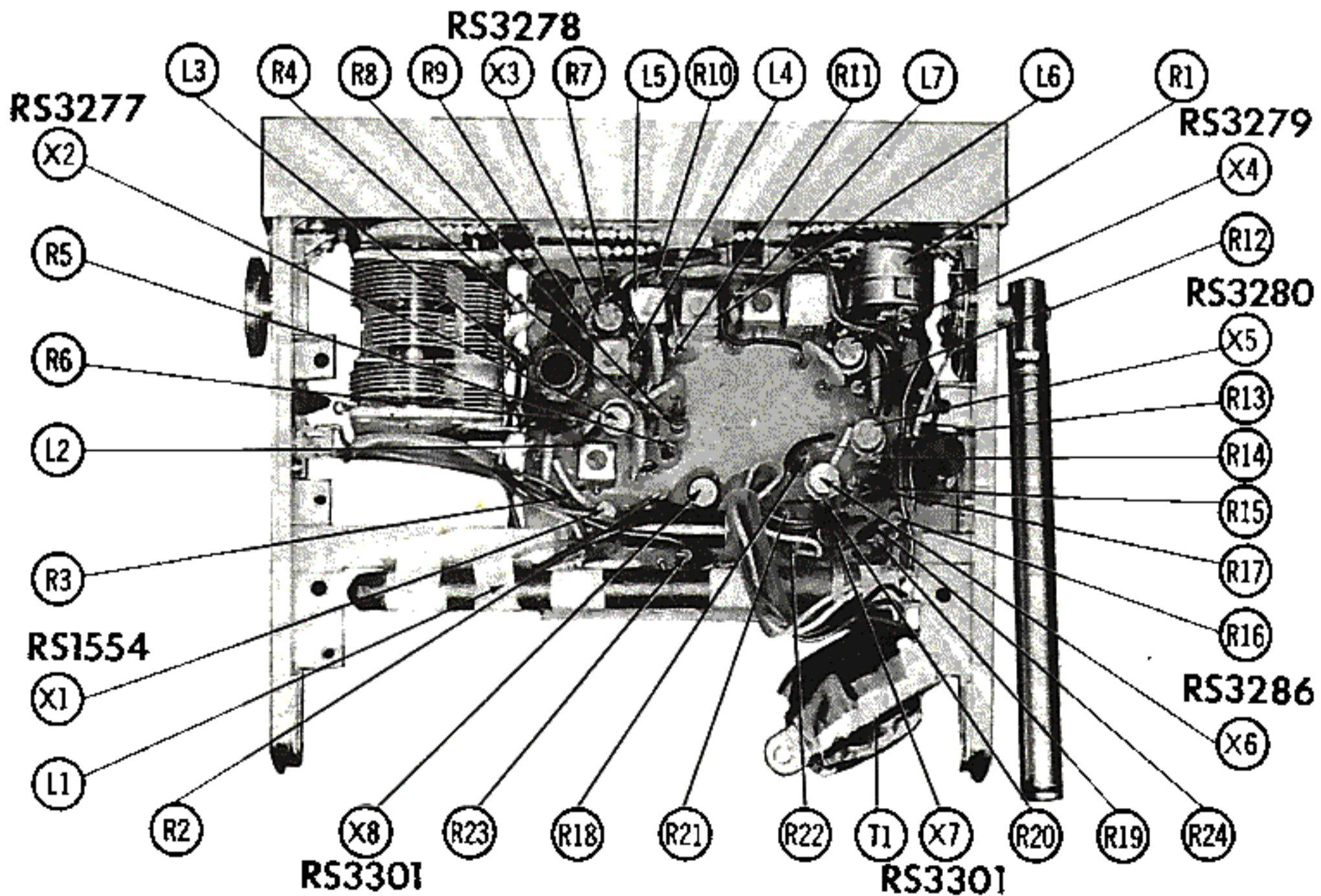


E - EMITTER    B - BASE    C - COLLECTOR





CHASSIS TOP VIEW-ALIGN., CAPACITOR & MISC. IDENT.



CHASSIS TOP VIEW-RESISTOR, INDUCTOR & TRANSISTOR IDENT.

# PARTS LIST AND DESCRIPTIONS

## TRANSISTORS

ITEM No.	Mfgr. Part No.	USE	REPLACEMENT DATA		NOTES
			RCA PART No.	RAYTHEON PART No.	
X1	RS1554	RF Amplifier	2N1527		* Alternate
X2	RS3277	Converter	2N1525		
X3	RS3278	1st IF Amplifier	2N1525		
X4	RS3279	2nd IF Amplifier	2N1525		
X5	RS3280	AF Amplifier	2N406		
X6	RS3286	Driver	2N406		
X7	RS3301	Output	2N408		
X8	RS3301	Output	2N408		

## ELECTROLYTIC CAPACITORS

ITEM No.	RATING		REPLACEMENT DATA						
	CAP.	VOLT.	G. E. PART No.	AEROVOX PART No.	CORNELL-DUBILIER PART No.	GENERAL ELECTRIC PART No.	MALLORY PART No.	PYRAMID PART No.	SPRAGUE PART No.
C1	8	15	RS-2614	PTT84	NLW6-15	MT1-15	TT25X6	MLV5-15	TE-1153
C2	2	50	①	PTT88	NLW2-50	MT1-1	TT50X2	MLV2-50	TE-1301
C3	2	50	①	PTT88	NLW2-50	MT1-1	TT50X2	MLV2-50	TE-1301
C4	100	15	RS-2660	PTT73	NLW100-15	MT1-19	TT15X100	MLV100-15	TE-1162
C5	250	6	②	BCD12250	ECPB122	MT1-24	TT6X250	MLV200-6	TE-1105

① Some versions may use 2mfd @ 25V in this application (Part #RS-2615).

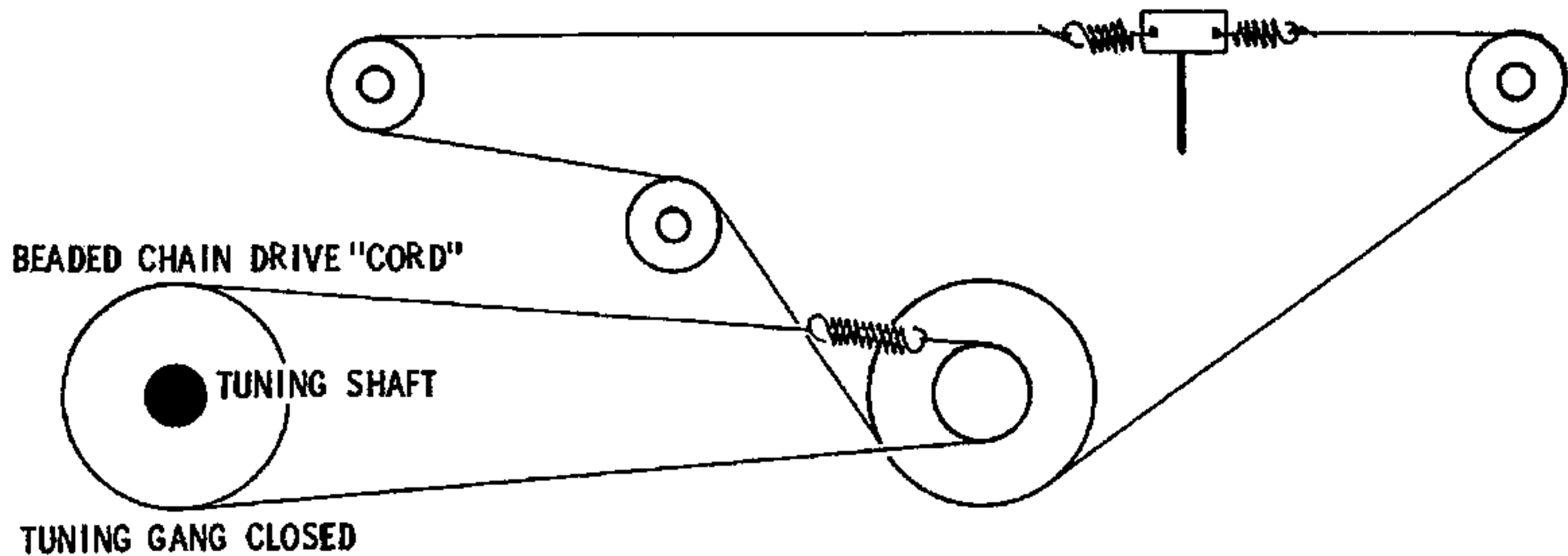
② Some versions may use 250mfd @ 10V in this application (Part #RS-3403).

## FIXED CAPACITORS

ITEM No.	RATING	REMARKS	REPLACEMENT DATA					
			AEROVOX PART No.	CENTRALAB PART No.	CORNELL-DUBILIER PART No.	ELMENCO PART No.	MALLORY PART No.	SPRAGUE PART No.
C6	.05		BPD-05	DD-503	H-05S5		TA-150	TG-S50
C7	.05		BPD-05	DD-503	H-05S5		TA-150	TG-S50
C8	.05		BPD-05	DD-503	H-05S5		TA-150	TG-S50
C9	.01		BPD-01	DD-103	H-05S1	CCD-103	TA-110	TG-S10
C10	.05		BPD-05	DD-503	H-05S5		TA-150	TG-S50
C11	.05		BPD-05	DD-503	H-05S5		TA-150	TG-S50
C12	2.0		NPO-SI 2.0	TCZ-2R2	C10V2C	CCTO-2R2	CNO-522	10TCC-V22
C13	8 NPO 10%		NPO-DI 10	DTZ-10	C10V9C	CCTO-100	CNO-410	10TCC-Q10
C14	.05		BPD-05	DD-503	H-05S5		TA-150	TG-S50
C15	.05		BPD-05	DD-503	H-05S5		TA-150	TG-S50
C16	.003		DI-3000	DD-302	BYA10D3	CCD-302	GP230	10TS-D30
C17	.001		BPD-001	DD-102	BYA10D1	CCD-102	B-210	5HK-D10



# DIAL CORD STRINGING



REAR VIEW

# PARTS LIST AND DE

## CONTROLS

All wattages 1/2 watt, or less, unless otherwise listed.

ITEM No.	USE	RESIST-ANCE	REPLACEMENT DATA				
			G. E. PART No.	CENTRALAB PART No.	CLAROSTAT PART No.	CTS-IRC PART No.	MALLORY PART No.
R1	Volume and Switch	50K	RS-3406	AB-31, AK-33, KR-1	A47-50K-S/ RS-3/16 SWE-12	B11-123, SK9, 76-1, or (BUL, CF12, SS4, GC) †	U35, US-26

† "SNAPTROL"

## RESISTORS

All wattages 1/2 watt, or less, unless otherwise listed.

ITEM No.	RATING	REPLACEMENT DATA			ITEM No.	RATING	REPLACEMENT DATA		
		IRC PART No.	WORKMAN PART No.	REMARKS			IRC PART No.	WORKMAN PART No.	REMARKS
R2	4700Ω				R14	39K			
R3	820Ω				R15	2700Ω			
R4	15K				R16	1500Ω			
R5	8800Ω				R17	12K			Note 1
R6	1500Ω				R18	2200Ω			Note 1
R7	5600Ω				R19	1000Ω			Note 2
R8	39K				R20	100Ω			Note 2
R9	220Ω				R21	1000Ω			Note 3
R10	1000Ω				R22	100Ω			Note 3
R11	15K				R23	33Ω			
R12	180Ω				R24	150Ω			
R13	1000Ω								

Note 1. Reverse value of R17 and R18 when X6 is NPN.

Note 2. Reverse value of R19 and R20 when X7 and X8 are NPN.

Note 3. Reverse value of R21 and R22 when X7 and X8 are NPN.

## COILS (RF-IF)

ITEM No.	USE	REPLACEMENT DATA					NOTES
		G. E. PART No.	Merit PART No.	Miller PART No.	Stancor PART No.	Workman TV PART No.	
L1	Loopstick	RS-3400					
L2	RF	RS-3333					
L3	Osc.	RS-3401					
L4	1st IF	RS-2977					
L5	2nd IF Primary	RS-3424					
L6	2nd IF Secondary	RS-3250					
L7	3rd IF	RS-2979					

## TRANSFORMER (DRIVER)

ITEM No.	TURNS RATIO		REPLACEMENT DATA					NOTES
			G. E. PART No.	Merit PART No.	Stancor PART No.	Thordarson PART No.	Triad PART No.	
	PRI.	SEC.1						
T1	1	1	RS-3402					
		SEC. 2						
		1						

## SPEAKER

ITEM No.	TYPE			REPLACEMENT DATA		NOTES
	SIZE	FIELD	V. C. IMP.	G. E. PART No.	QUAM PART No.	
MP1	3 1/2"	PM	8-80	B11-1232	3A0020 *	* Trim off mounting tabs.



# DESCRIPTIONS (Continued)

## BATTERIES

ITEM No.	VOLTAGE	G. E. PART No.	REPLACEMENT DATA						NOTES
			BURGESS		EVEREADY		MALLORY		
			"A"	"B"	"A"	"B"	"A"	"B"	
M1	1½V			130		635		M-14R	3 Required

## MISCELLANEOUS

ITEM No.	PART NAME	G. E. PART No.	NOTES
M2 M3	Detector Assembly Tuning Cap. Headed Dial Drive	RS-3405 RS-3381	Includes Diode, Part #RS-1811, .01mmf, .02mmf, 4700Ω 3 feet long

## CABINETS & CABINET PARTS

(When Ordering Cabinets & Cabinet Parts, Specify Model, Chassis & Color)

NAME	PART NO.	DESCRIPTION
Dial Pointer	RS-3495	
Dial Glass	RS-3371	
Knob, Volume	RS-3372	
Knob, Tuning	RS-3373	
Cabinet Front	RB-1229	
Cabinet Top	RB-1230	
Cabinet Bottom	RB-1231	
Door	RS-3368	Battery Compartment
Strap	RS-3367	Carrying
Plate	RS-3369	Left Side
Plate	RS-3370	Right Side
Grille	RS-3374	
Antenna, Whip	RS-3375	

## WIRING DATA

General-use Unshielded Hook-up Wire .....	Use BELDEN No. 8530 (Solid 22AWG)	Available
	8524 (Stranded 22AWG)	in
	8570 (Stranded 26AWG)	12 Colors